

**Air moving solutions made simple**

AC Fans  
DC Fans

AC Blowers  
DC Blowers

AC Impellers  
DC Impellers

AC  
Motors

Accessories

**Search**

- Part/Model #
- Stock Check
- Cross-Reference
- Keyword

Find Fans

- More Products
- Heat Sinks
- Fan Accessories
- Engineering Tools
- Airflow Calculator
- Thermal Calculator
- Unit Conversions
- Application Notes
- Custom Solutions
- Company Info
- Contact Info
- Technical Capability
- Certifications
- Terms & Conditions
- Employment Ops

Gateway Online

**Muffin XL - MD48B5 - 028887 - No**  
 (Family) (Model) (Part #) (In Stock)

**Electrical Specifications**

<b>Operating Voltage:</b>	48 Volts
<b>Voltage Range:</b>	24 - 56 Volts
<b>Power Supply:</b>	5.8 Watts
<b>Line Current:</b>	0.12 Amps
<b>Locked Rotor Current</b>	0.40 Amps
<b>Nominal Speed:</b>	3100 RPM

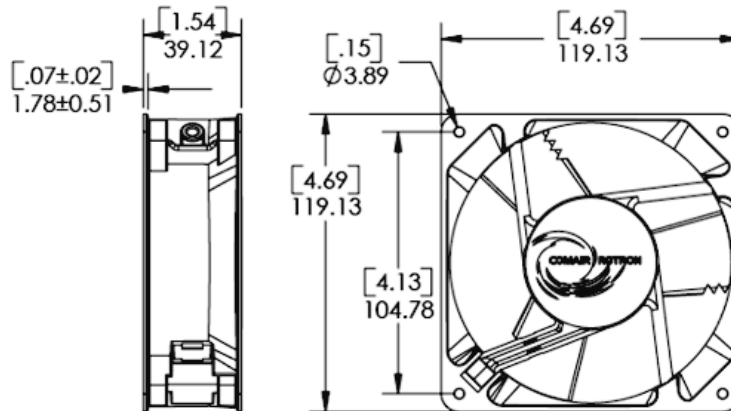


Detailed Drawing Printer-Friendly Datasheet

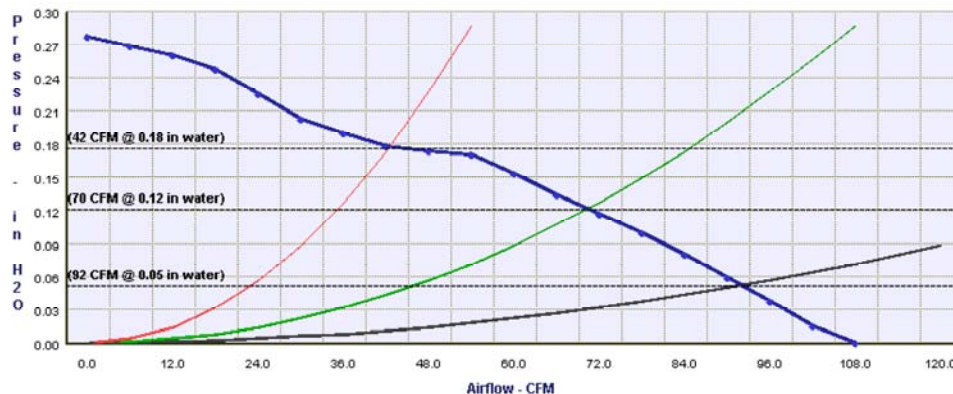
**Mechanical Specifications**

<b>Dimensions:</b>	4.7 x 4.7 x 1.5 in
<b>Weight</b>	21.52 oz
<b>Max Airflow @ 0 in H<sub>2</sub>O</b>	110.0 CFM
<b>Max Pressure @ 0 CFM</b>	0.278 in H <sub>2</sub> O
<b>Noise</b>	50.0 dBA

**Mechanical Drawing**



**Fan Performance Curve**



## Fan Configuration Options

- |  |  |   |                         |   |
|--|--|---|-------------------------|---|
| <b>Muffin XL</b><br>(Family)                           | <b>MD48B5</b><br>(Model)                       | <b>/ 028887</b><br>(Part #)                           | <b>No</b><br>(In Stock) | <b>305 mm [12 inch] Leads</b><br>(Features) |
| <b>Fan Speeds</b>                                      | <b>Fan Bearings</b>                            | <b>Fan Airflow Directions</b>                         |                         | <b>Fan Terminations</b>                     |
| <input type="radio"/> High Speed (3600 RPM)            | <input checked="" type="radio"/> Ball Bearings | <input checked="" type="radio"/> Flow L (CW Rotation) |                         | <input checked="" type="radio"/> Leads      |
| <input checked="" type="radio"/> Full Speed (3100 RPM) | <input type="radio"/> Sleeve Bearings          | <input type="radio"/> Flow R (CCW Rotation)           |                         | <input type="radio"/> Terminals             |

### Fan Monitoring Options

- No Fan Monitoring Options Required
  - Add Tachometer (1 pulses per revolution.)
    - Open Collector Output
    - TTL (+5V) Output
- Existing Models with Tachometer Option:
- |  |  |  |  |
|--|--|--|--|
| <input checked="" type="radio"/> MD48B5 / 028887 | <input type="radio"/> MD48B5-E2 / 039011 | <input type="radio"/> MD48B5X / 031250 | <input type="radio"/> MD48B5X / 031469 |
| <input type="radio"/> MD48B5X / 031985           | <input type="radio"/> MD48B5X / 032504   | <input type="radio"/> MD48B9 / 028890  | <input type="radio"/> MD48B9X / 030205 |
| <input type="radio"/> MD48K5 / 032863            | <input type="radio"/> MD48K5X / 039238   |  |  |
- Add Fan Performance Sensor (FPS)

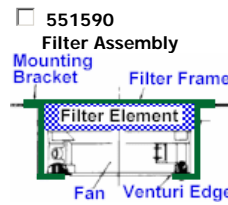
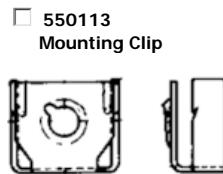
### Fan Speed Control Options

- Add ThermaPro-V Fan Speed Control

### Environmental Protection Options

- Add Enviroshield Environmental Protection

## Accessories (Click on part number for detailed drawing.)



Comair Rotron, Inc.  
Phone: 619.651.2000  
sales@comairrotron.com

Comair Rotron Europe, Ltd.  
Phone: +44.1527.520525  
saleseurope@comairrotron.com

Comair Rotron Fan Company Ltd.  
Phone: +86.21.52260581  
salesasia@comairrotron.com