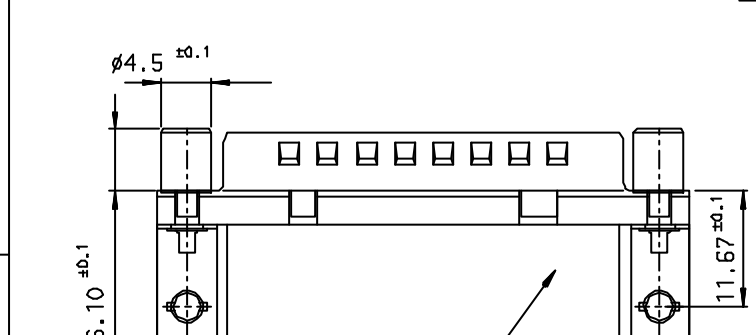
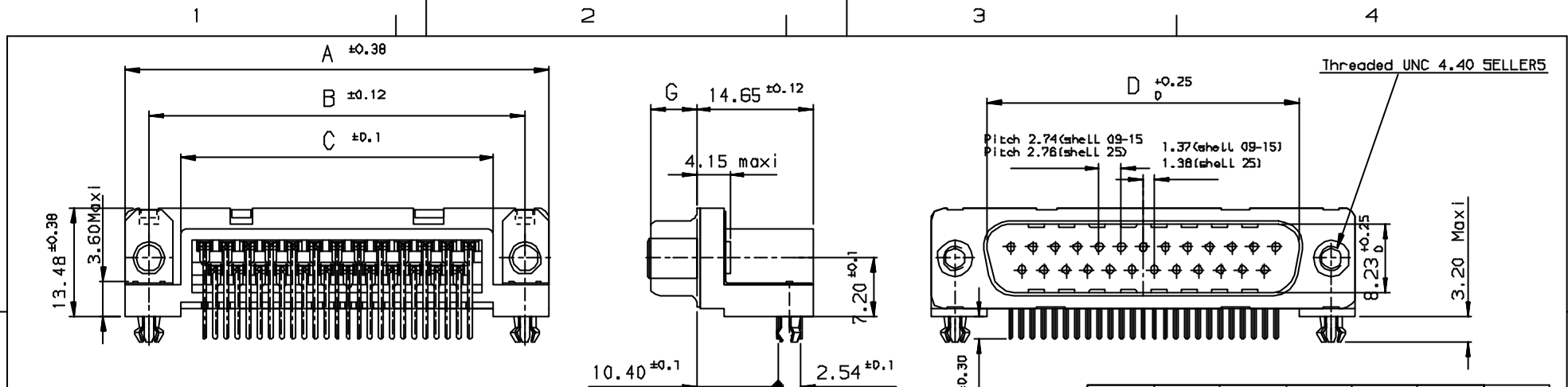


Tous droits réservés. Reproduction ou communication à des tiers
 interdite sans autorisation écrite du
 Propriétaire de ce FCI. Droit de reproduction FCI.

A
FCI

All rights reserved. Reproduction or issues to third parties in any
 form without the prior written consent of the proprietor.
 Property of FCI. Copy right FCI.



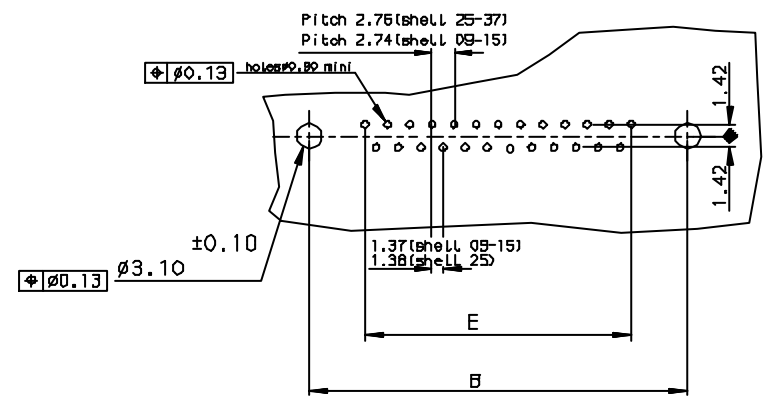
Part Number & Date Code Printing
 PC card drilling dimensions (after plating)
 (thickness 1.60 ± 0.20mm)

4 = Performance level PL3 ≥ 200 OPERATIONS
 5 = Performance level PL1 ≥ 500 OPERATIONS
 J = SCREWLOCK Threaded M3
 V = SCREWLOCK Threaded UNC 4.40 sellers

SHELL	A±0.38	B±0.12	C±0.10	D±0.25	E±0.07	G±0.25
09	30.81	24.99	16.96	16.79	10.96	5.90
15	39.14	33.32	25.18	25.12	19.18	5.90
25	53.03	47.04	39.12	38.84	33.12	5.70
37	69.32	63.50	55.68	55.30	49.68	5.70

GENERAL CHARACTERISTICS : SEE DRAWING C01-8646-0000

SHELL	PART NUMBER	DESIGNATIONS
09	D09P13A*G*0D**	HEADER 9 CTS RIGHT ANGLED-SOLDER TO BOARD-PCB HARPOON-SCREWLOCK -ELEC.CONTIN.
15	D15P13A*G*0D**	HEADER 15 CTS RIGHT ANGLED-SOLDER TO BOARD-PCB HARPOON-SCREWLOCK -ELEC.CONTIN.
25	D25P13A*G*0D**	HEADER 25 CTS RIGHT ANGLED-SOLDER TO BOARD-PCB HARPOON-SCREWLOCK -ELEC.CONTIN.
37	D37P13A*G*0D**	HEADER 37 CTS RIGHT ANGLED-SOLDER TO BOARD-PCB HARPOON-SCREWLOCK -ELEC.CONTIN.



d	DATE	REVISION DESCRIPTION
d	27/7/05	LEAD FREE DETAILS ADDED

Ltr	Ecn no	Dr	date
d	05-0124	J5	27/7/05

Dr JOHN SLEEBA 14/6/05 Product Family			Tolerance LINEAR ±0.1 ANGULAR ±1°		Projection		MM	
Eng GEORGE VJ 14/6/05 Spec ref			Size A3		Scale			
Chr GEORGE VJ 27/7/05 Material			ECN					
Appr K Sonasundaram 27/7/05								
Title		Dwg no		Rev.				
HEADER DELTA D RIGHT ANGLED SCREWLOCK, HARPOON & METAL PLATE		C01-8646-0742		d				
Catalog no		CUSTOMER COPY		Sheet 1 of 1				