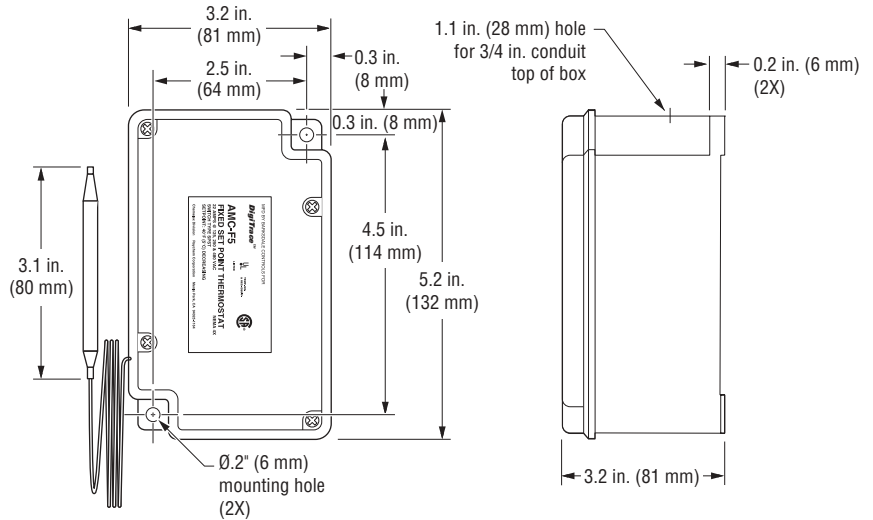
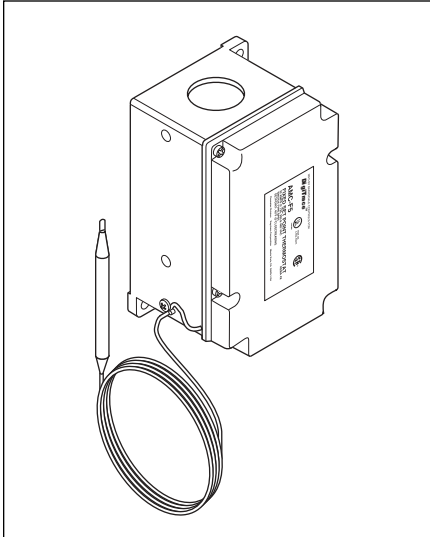


Installation Instructions



Description

The AMC-F5 thermostat is designed for controlling freeze protection heat-tracing circuits in ordinary areas. The thermostat has a fixed

nonadjustable set point of 40°F (4.4°C) and can be used in an ambient-sensing mode (with capillary coiled) or a line-sensing mode,

or it can be used to control a contactor coil.

Specifications

Enclosure	NEMA 4X, UV-resistant thermoplastics
Entries	One 3/4 in. through hole
Set point	40°F (4.4°C) nonadjustable
Sensor exposure limits	-30°F to 140°F (-34°C to 60°C)
Housing exposure limits	-30°F to 140°F (-34°C to 60°C)
Switch	SPST
Electrical rating	22 A at 125/250/480 Vac
Accuracy	±3°F (±1.7°C)
Deadband	2°F to 12°F (1.1°C to 6.7°C) above actuation temperature
Set point repeatability	±3°F (±1.7°C)
Sensor type	Fluid-filled (silicone) bulb and 2.5 ft (0.8 m) capillary
Sensor material	Tin-plated copper
Connection	Two 14 AWG (2 mm ²) pigtails, one ground screw

Additional Materials Required

Wire nuts, AT-180 aluminum tape (for line-sensing applications)

Approvals



⚠ WARNING:

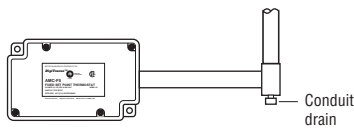
This component is an electrical device. It must be installed correctly to ensure proper operation and to prevent shock or fire. Read these

important warnings and carefully follow all the installation instructions. Component approvals and performance are

based on the use of specified parts only. Do not use substitute parts or vinyl electrical tape to make connections.

AMC-F5 Installation Instructions

Installing the Thermostat



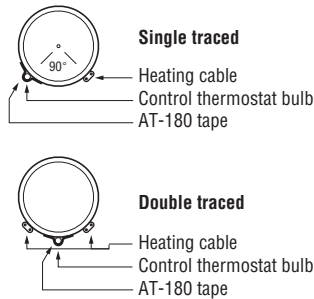
1. Verify that the thermostat is suitable for the area where it is to be installed.
2. Check the line voltage and the heat-tracing load to ensure that the thermostat ratings are not exceeded.
3. Mount the unit in a position that prevents condensation from draining into the enclosure from the connecting conduit, (see diagram at left).

Positioning (Ambient)

4. Mount ambient-sensing units in the area exposed to the coldest temperature and most wind. **Do not mount on the side of a warm building or in a loca-**

tion that is exposed to warm air currents or direct sunlight.

Positioning the Sensor Bulb (Line Sensing)



5. Position the bulb in the lower quadrant of the pipe as shown in the diagrams to the left. **Place the bulb at least three feet from pipe supports, valves, or other heat sinks; protect the capillary from kinks or bends less than 1/2 inch in radius.**
6. Tape the bulb firmly to the pipe with AT-180 aluminum tape, making sure there is no air space between the bulb and pipe. **Do not overlap the bulb and heating cable with the same piece of AT-180 tape.**
7. For metal-tank-wall sensing, use the BCK-35 bulb clamp (purchased separately from Raychem) and install the clamp per the instructions provided. Make sure there is no air space between the tank wall and the bulb. For installation on plastic tanks, contact Tyco Thermal Controls at (800) 545-6258.

Wiring

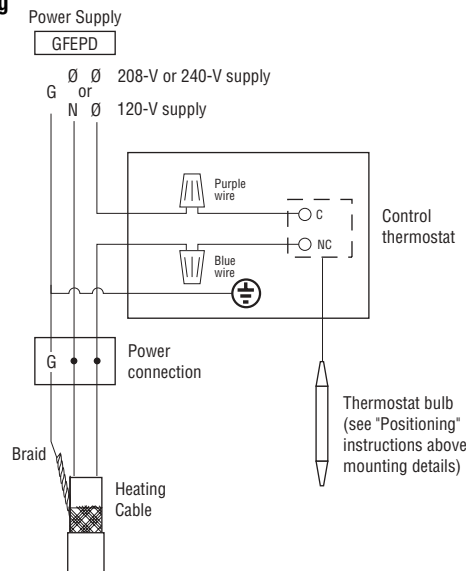


Figure 1. Heat-tracing control

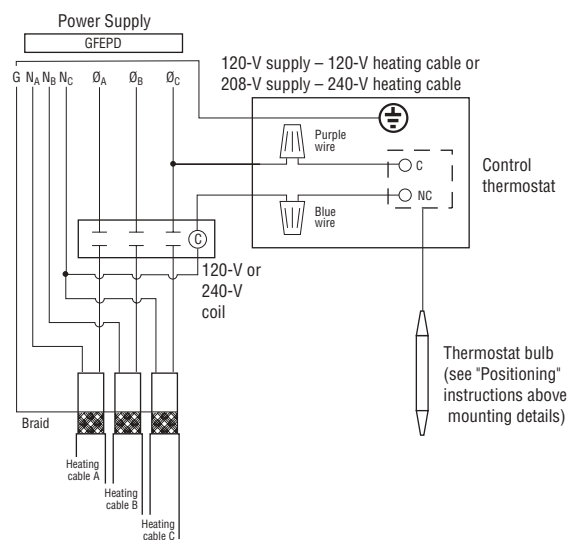


Figure 2. Contactor control

For switching heat-tracing loads greater than 22 A or switching multiple heat-tracing circuits.

Worldwide Headquarters
Tyco Thermal Controls
 300 Constitution Drive
 Menlo Park, CA 94025-1164
 USA
 Tel (800) 545-6258
 Fax (650) 474-7517
 Fax-on-Demand (800) 329-4494
 info@tycothermal.com
 www.tycothermal.com

Important: All information, including illustrations, is believed to be reliable. Users, however, should independently evaluate the suitability of each product for their particular application. Tyco Thermal Controls makes no warranties as to the accuracy or completeness of the information, and disclaims any liability regarding its use. Tyco Thermal Controls' only obligations are those in the Tyco Thermal Controls Standard Terms and Conditions of Sale for this product, and in no case will Tyco Thermal Controls or its distributors be liable for any incidental, indirect, or consequential damages arising from the sale, resale, use, or misuse of the product. Specifications are subject to change without notice. In addition, Tyco Thermal Controls reserves the right to make changes—without notification to Buyer—to processing or materials that do not affect compliance with any applicable specification.