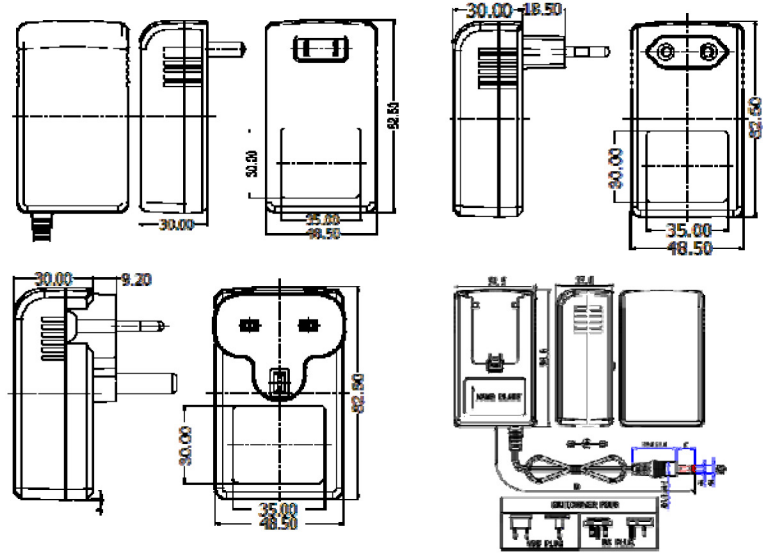


Product Pictures



External view (mm)



Product Specifications

- High efficiency meets CEC IV ; Energy Star EPS 2.0 (Level V) on request.
 - Product compliance with EU 2002/95/EC RoHS directive.
 - Outstanding EMI、EMS design for communication and other ITE applications.
 - Universal input range 100-240Vac
 - Safety Approval standard:UL60950-1, CSAC22.2 NO 60950-1, FCC PART 15 CLASS B , etc.
- Interchangeable prongs for N. America, Europe, UK, Australia

Input Parameter

100-240VAC 50/60Hz

Output Parameter

Part Number	Vo (V)	Io min. (A)	Io max (A)	Po max. (W)	R&N(p-p)
PXT9030AW	9.00	2.00	3.00	27.0	150mV
PXT1230AW	12.00	2.00	3.00	36.0	150mV
PXT1326AW	13.50	2.00	2.60	36.0	150mV
PXT1526AW	15.00	1.50	2.60	40.0	200mV
PXT1822AW	18.00	1.20	2.20	40.0	200mV
PXT1921AW	19.00	1.00	2.10	40.0	200mV
PXT2417AW	24.00	1.00	1.70	40.0	200mV

* Other styles could be customized.



40W AC Interchangeable Wallplug

40W Series

Electrical Specifications

Rated Voltage	100-240VAC
Frequency	50/60Hz
Input Current	1.0A(max)
Output Power	40W max.
Voltage Tolerance	±5%
Ripple/Noise	200mV max.
Over Current Protection	Yes
Over Temp. Protection	Yes
Short Circuit Protection	Yes
Typical Efficiency	83%
Energy Efficiency Standard	Level IV/V

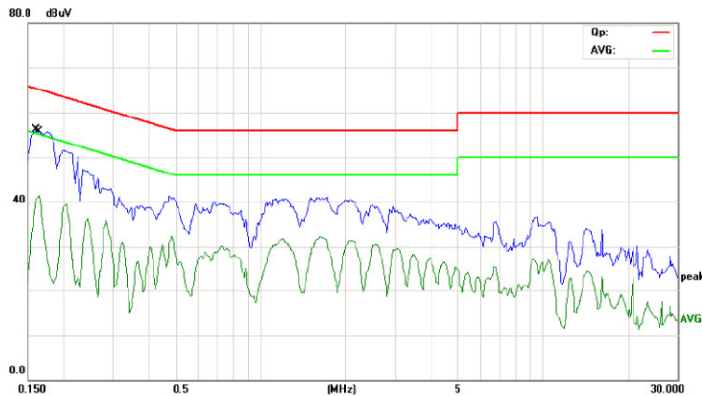
Mechanical Specifications

Size	82.5×48.5×30.0mm
Construction	Plug-in
Weight(UL)	180g
Operation Temperature	0 to 40°C
Storage Temperature	-10 to +70°C
MTBF	100,000hrs

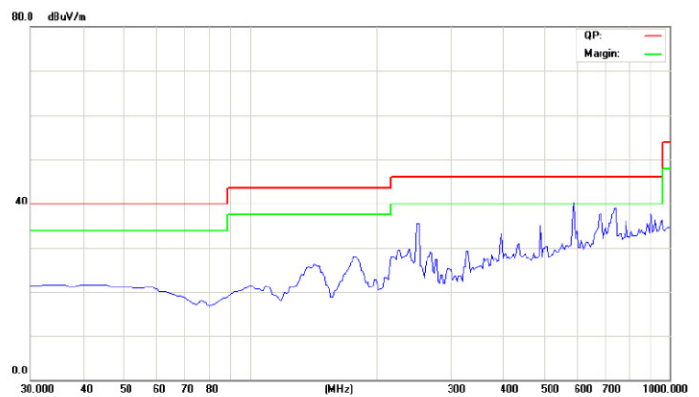
Certification

Safety: EN60950, UL60950
 EMC Item: EN55022 CLASS B, FCC PART 15 CLASS

EMI Features



Conductive EMI curve



Radiate EMI curve

(12V/3A model tested)

All specifications are typical with nominal input at full load. Temp is rated at 25 °C unless otherwise specified.