



LOW-FREQUENCY RFID CONTROLLER/ANTENNA

Cobalt HS

FEATURES & BENEFITS

Low-Frequency RFID Antenna and Controller are integrated into one package for compact installation.

Cobalt™ Family software architecture and connectivity.

Communications options: TCP/IP (TCP) Industrial Ethernet (IND)

Fast data transfer rate: all 32KB of tag data within 24 seconds.

32KB data buffer.

11cm read range with EMS' HS232R tags.

Robust, sealed enclosure for protection in harsh industrial environments.

Low-Frequency RFID is ideal for metal-intensive environments.

FOR USE WITH

All HS Series tags.



Rugged, highly connected COBALT RFID systems provide easily integrated and economical solutions for Auto-ID on the factory floor. Dust and moisture protection assure years of reliable operation in harsh environments.

The Cobalt HS RFID controller/antenna operates with EMS' HS series of very high memory RFID tags.

25+ years of experience with RFID systems for manufacturing are behind every EMS system, supported by Datalogic around the world.

MODELS

Industrial Ethernet: CHS-1265-IND-01
TCP/IP Networks: CHS-1265-TCP-01

SPECIFICATIONS

Dimensions: 120x65x70mm
(4.7x2.6x2.8 in)
Weight: 500g (1.1 lbs)
Operating Temp: -10° to 49°C
(14° to 120°F)
Storage Temp: -40° to 85°C
(-40° to 185°F)
Vibration: 68-2-6 FC 1.5mm;
10-55Hz; 2 hrs ea axis.
Shock: 68-2-27 EA 30g;11Ms;
3 shocks each axis.
Protection Class: IP66
Enclosure: Polycarbonate
Humidity:
Voltage Input: 20-28VDC
Current: 250ma @24VDC (6Watts)

www.ems-rfid.com

AMERICAS
3000 Earhart Ct., Ste 135
Hebron KY 41048
Inside USA Phone: 1-800-849-5358
Outside USA Phone: 1-859-689-7000

EMEA and ROW
Via S. Vitalino 13, 40012
Lippo di Calderara di Reno, BO Italy
Phone: +39 051 314 7011

ESCORT MEMORY SYSTEMS BY
DATALOGIC™



Cobalt HS

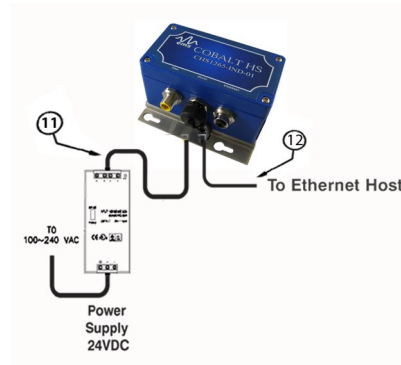
POINT-TO-POINT NETWORK DIAGRAM

APPLICATIONS

- Manufacturing
- Work-In-Process Tracking
- Material Handling
- Warehouse
- Logistics

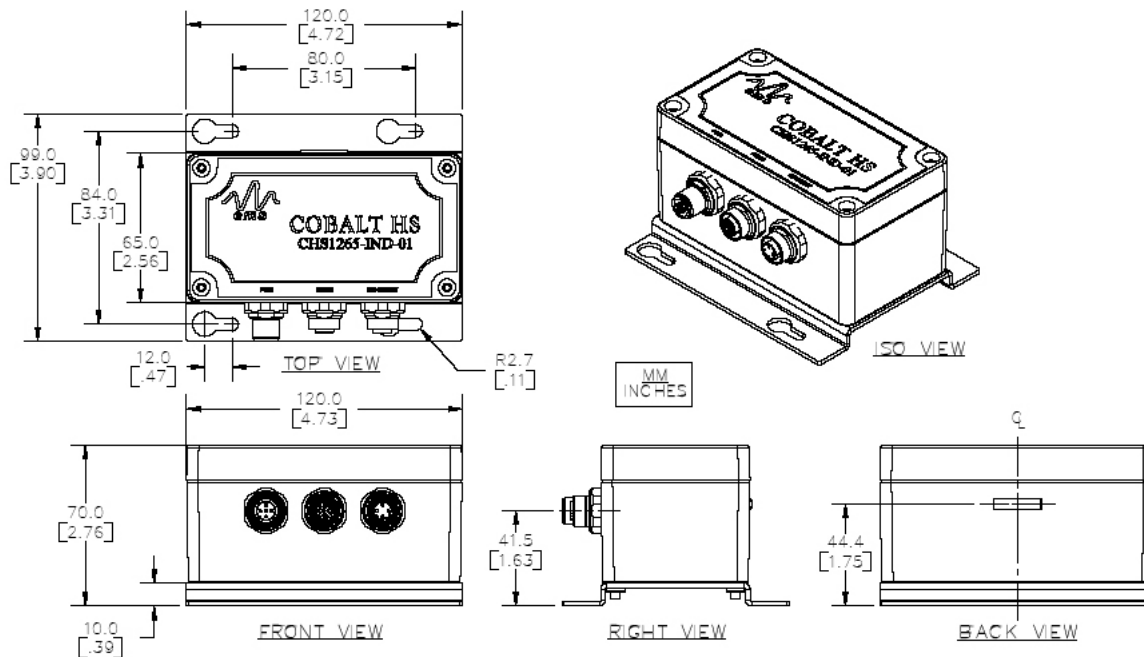
READ/WRITE RANGE

TYPICAL:
100mm (4.0 in) with HS232R Tag



ITEM	QTY	DESCRIPTION	EMS PN
11	1	FIELD MOUNTABLE CONNECTOR, STRAIGHT FEMALE M12 5-PIN	CBL-1487
12	1	CAT5E ETHERNET CABLE FOR CNTL-IND/TCP, 5M	CBL-1515-05

DIMENSIONS mm[in]



Rev02 - Jan. 2009

Product and Company names and logos referenced may be either trademarks or registered trademarks of their respective companies. We reserve the right to make modifications and improvements.

ESCORT MEMORY SYSTEMS BY
DATALOGIC™