



Muffin XL AC - MX3B3 - 028423
(Family) (Model) (Part Number)

Electrical Specifications

Rated Voltage:	230 VAC
AC Frequency:	60 Hz
Power Supply:	16.0 Watts
Line Current:	0.09 Amps
Locked Rotor Current	0.14 Amps
Nominal Speed:	3100 RPM

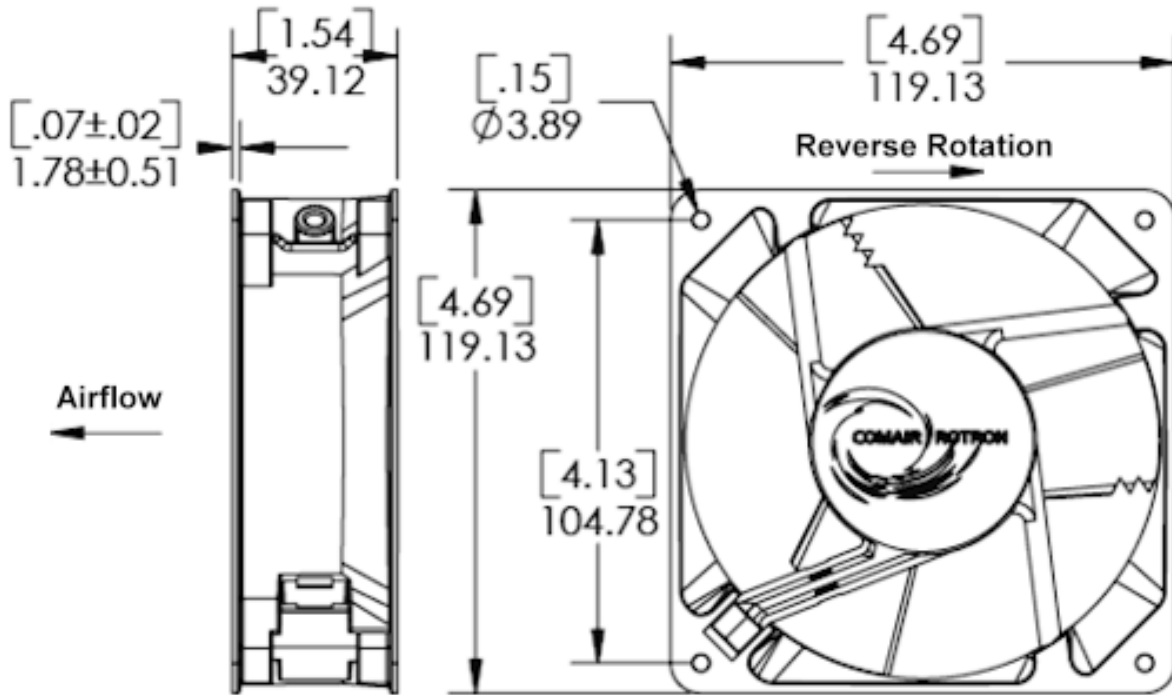
Mechanical Specifications

Dimensions:	4.72in x 1.50in
Weight	21.0 oz
Max Airflow @ 0 in H ₂ O	105.0 CFM
Max Pressure @ 0 CFM	0.223 in H ₂ O
Noise	47.6 dBA

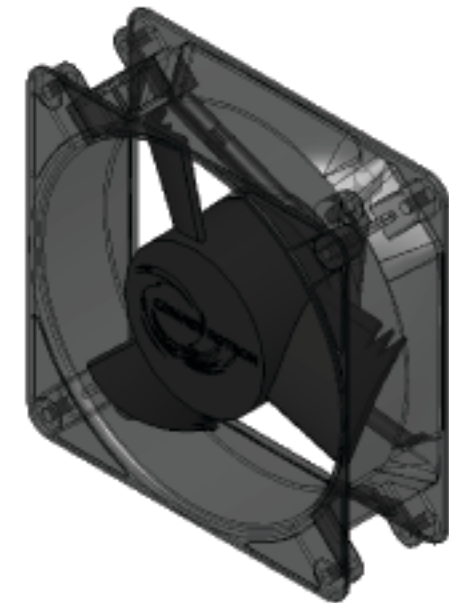
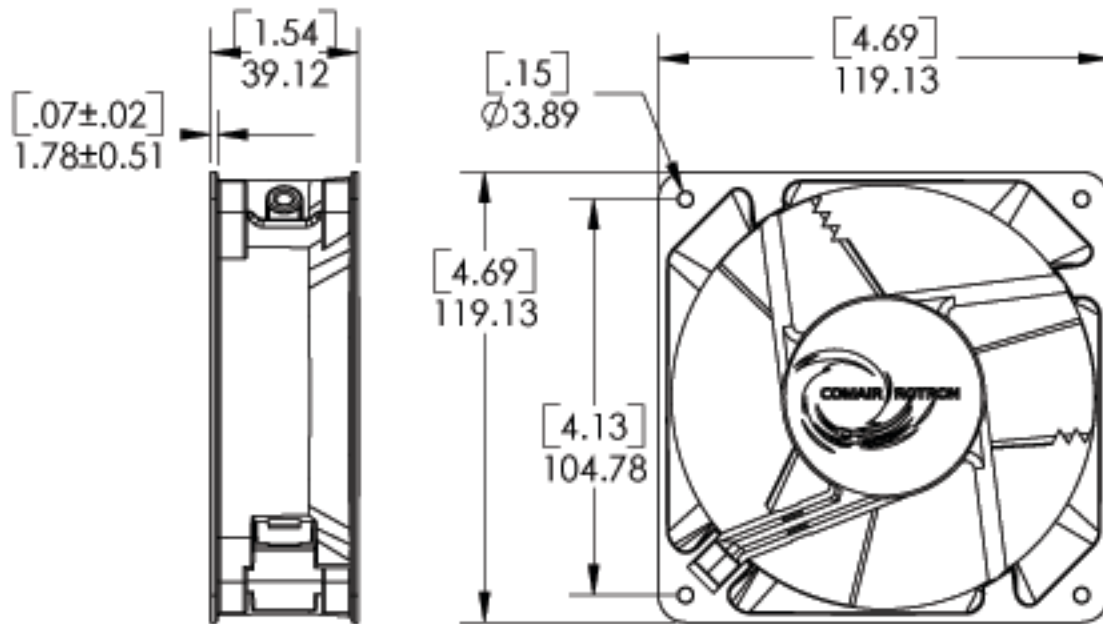




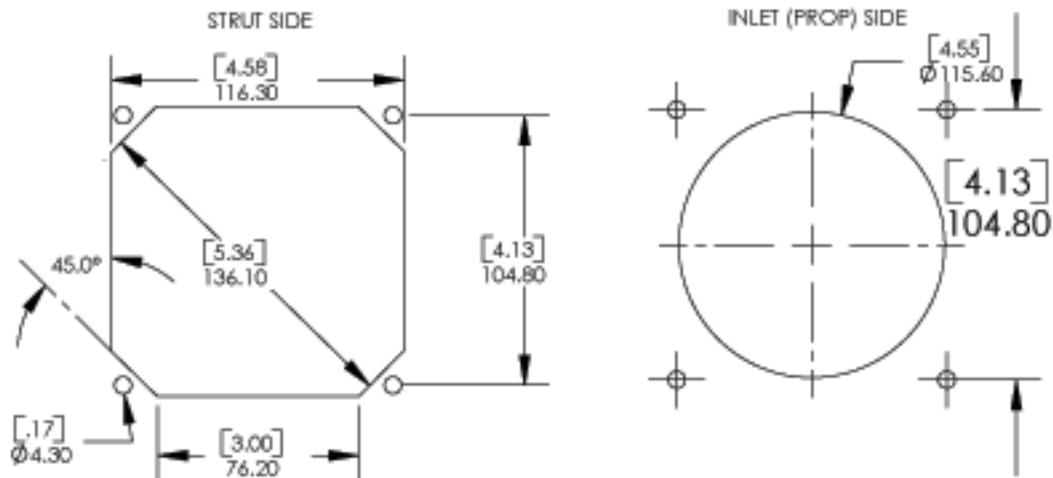
Mechanical Drawing



Part Number	Model Number	Bearing Type	Fan Rotation	Termination
028423	MX3B3	Ball	Reverse	0.120 Terminals



RECOMMENDED CUTOUTS



CONTACT INFO: WWW.COMAIRROTRON.COM			
TOL. FINANCE UNLESS OTHERWISE SPECIFIED 2PL. DEC. ± 0.1 (8) 5 PL. DEC. ± 0.08 (25) MILL/IN ± .01	AMERICAN PROJECTION 3RD ANGLE	3D MODEL FOUND AT..	
MUFFIN XL AC			