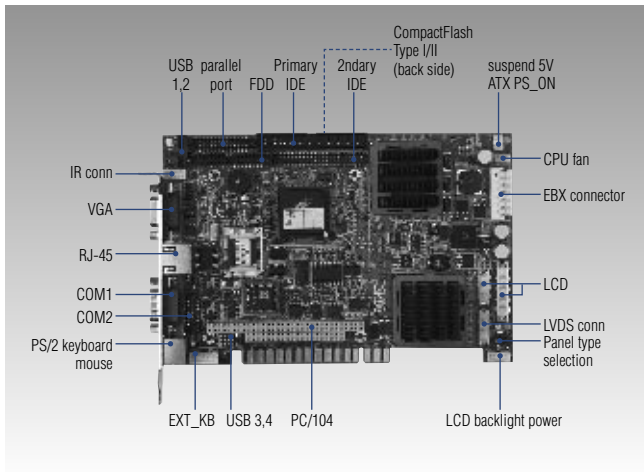


PCI-6871

PCI Slot SBC, Eden 400/667 MHz/VGA/
LCD/ LVDS/LAN/CFC



Features

- 32-bit PCI Slot
- Low power VIA Eden CPU on board
- AGP 4x VGA
- Support TFT and DSTN LCD, LVDS
- Supports wake-up on LAN, modem

Specifications

- **CPU** Embedded VIA low power processor on die 128 KB L1 cache memory
Eden 400 (PCI-6871F-J0A1)
- **System Memory** SDRAM SODIMM x 2 Max. 512MB
- **2nd Cache Memory** 64KB on the CPU
- **System Chipset** VIA VT8606 "TwisterT" + VT82C686B
- **BIOS** AWARD 256KB Flash BIOS
- **SSD** Support CompactFlash™ Card Type I/II
- **Watchdog Timer** 1 - 62 Sec, System reset or IRQ11
- **Expansion Interface** 32-bit PCI slot
- **Battery** Lithium 3V/196 mAH
- **Power Management** ACPI

I/O

- **MIO** 2 x EIDE (1 x Ultra DMA100, 1 x Ultra DMA33), 1 x FDD, 1 x K/B, 1x Mouse, 1 x RS-232/422/485, 1 x RS-232, 1 x LPT
- **IrDA** 115 Kbps, IrDA 1.1 compliant
- **USB** 4 USB ports, USB 1.1 compliant

Ethernet

- **Chipset** RTL 8139C
- **Ethernet interface** IEEE 802.3u 10/100Base-T Fast Ethernet compatible
- **Connection** On-board RJ-45 connector
- **I/O address switchless setting**
- **Built-in boot ROM**



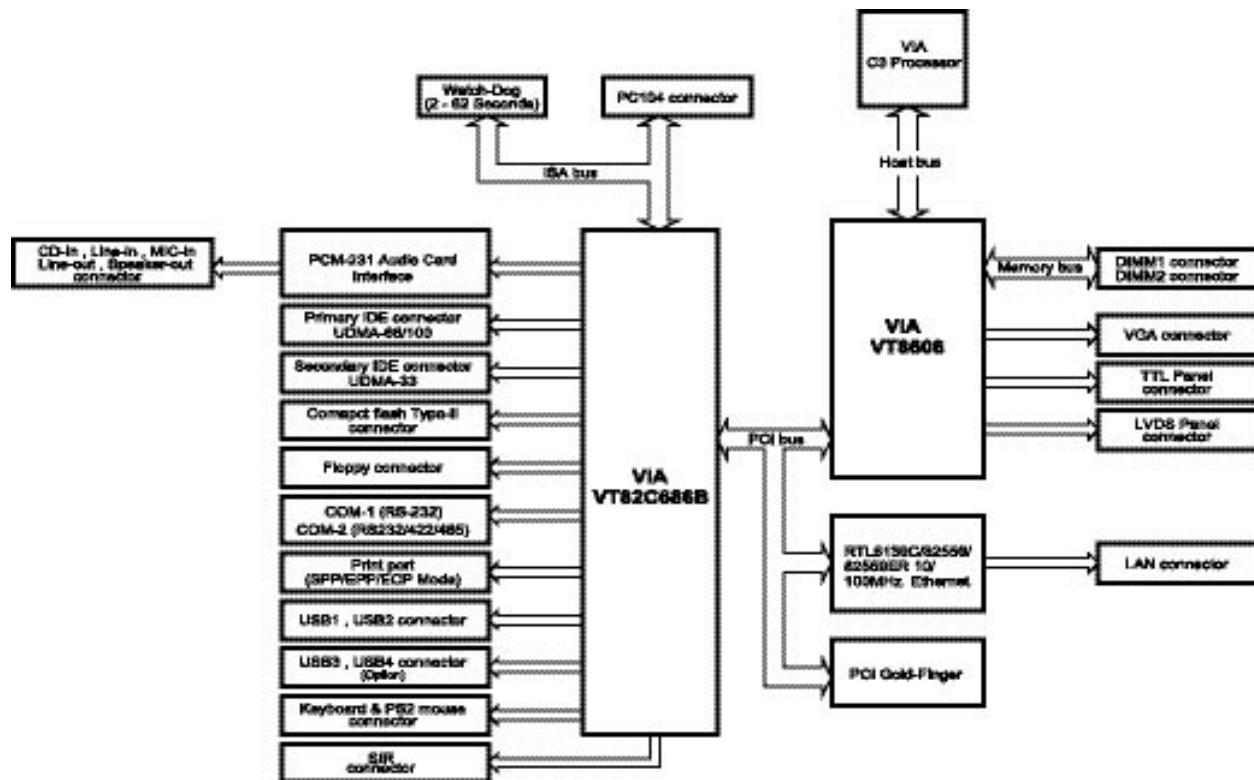
Display

- **Chipset** VIA VT8606 "TwisterT" integrated Savage4 2D/3D/Video Accelerator
- **Memory Size** 8/16/32 MB frame buffer using system memory
- **Resolution** CRT Mode: 1280 x 1024 @ 16 bpp (60Hz), 1024 x 768 @ 16 bpp (85Hz), 800 x 600 @ 16 bpp (60Hz)
LCD Mode: 1280 x 1024 @ 16 bpp, 1024 x 768 @ 16 bpp, 1280 x 1024 @ 32 bpp
- **LCD interface** 36-bit TTL
- **LVDS** 2-Channel (2 x 18-bit) LVDS interface

Mechanical and Environmental

- **Dimensions (LxW)** 185 x 122 mm (7.3" x 4.8")
- **Power Supply Voltage** +5 V, +12 V ± 5%
- **Power Requirements** Max: 2.481 A @ +5 V, 47.5 mA @ +12 V (with 256 MB SDRAM, VIA C3-400 MHz CPU)
Typical: 2.37 A @ +5 V, 34.02 mA @ +12 V (with 256 MB SDRAM, VIA C3-400 MHz CPU)
- **Operating Temperature** 0 - 60° C (32 - 140° F), operation
- **Operating Humidity** 0%-90% relative humidity, non-condensing

Board Diagram



Packing List

- **PCI-6871 SBC**
- **Y cable for PS/2 Keyboard, PS/2 Mouse** (p/n:1700060202)
- **E-IDE (HDD) Cable** (p/n:1701400452)
- **FDD Cable (600mm)** (p/n:1701340603)
- **Parallel port cable** (p/n:1700260250)
- **Power Cable** (p/n:1703080101)
- **Mini Jumper** (p/n:1653300100)
- **Startup Manual**
- **Utility CD**

Ordering Information

- **PCI-6871F-J0A1** PCI Eden 400 SlotPC SODIMM/VGA/LCD/LVDS/8139/CFC2
- **PCI-6871F-J2A1** PCI Eden 400 SODIMM/VGA/LCD/LVDS/ 82559ER/CFC type II
- **PCI-6871F-M0A1** PCI Eden 667 SODIMM/VGA/LCD/LVDS/ 8139/CFC type II

Optional accessories

- **IPC-644P4-80** Chassis w/PCA-6104P4/80 W power supply
- **IPC-6806P5** Chassis w/PCA-6105P5/100 W power supply
- **PCA-6104P4** 4-PCI slot passive backplane
- **PCA-6105P5-0B1** 5-PCI slot passive backplane
- **1703100260** USB cable adapter (2.00 mm)
- **CF-HDD-ADP** CompactFlash 50-pin to IDE 44-pin adapter
- **PCM-231A-00A1** Audio module with Line-in, Line out, mic
- **9689000042** IrDA adapter
- **1703200100** ATX power cable
- **1701140201** COM cable