



## Main Features

- ♦ Low Power COM Express CPU Module
- ♦ On-board Intel® Atom™ N270 1.6GHz Processor
- ♦ Intel® 945GSE Chipset
- ♦ Support DDR2 400/533 SO-DIMM up to 2GB
- ♦ Realtek RTL8111C Gbe LAN Controller
- ♦ Support 2 x SATA, 8x USB for fast peripherals
- ♦ COM Express Basic Type II Module supports up to 5 Express lanes, 32 bit PCI interface and one IDE and Gigabit LAN

## Specifications

### CPU Support

- ♦ On-board Intel® Atom™ N270 1.6GHz processor

### Chipset

- ♦ Intel® 945GSE and ICH7M chipsets

### Main Memory

- ♦ Support one un-buffered non-ECC DDR2 SO-DIMM 400/533 up to 2GB

### BIOS

- ♦ Award system BIOS
- ♦ Advanced Power Management support
- ♦ 8M SPI ROM

### Display

- ♦ Intel® 945GSE integrated graphics solution with dynamic video memory allocation
- ♦ Analog monitor resolution up to 1600x1200 @ 85Hz
- ♦ Support single or dual channel 18-bit LVDS panel
- ♦ SDVO signal down to connector CD

### On-board LAN

- ♦ Realtek RTL8111C 10/100/1000 Gigabit LAN controller
- ♦ Support PXE LAN boot function
- ♦ Support Wake on LAN function
- ♦ Signals down to I/O board

### Other Interfaces

- ♦ One 3-pin 12V FAN connector

### COM Express Connector

- ♦ AB connector  
VGA/LVDS/8 x USB/HD Audio interface/2 x SATA/LAN/GPIO(3.3V)/LPC bus/1 x PCIe x4/1 x PCIe x1/SMBus/I<sup>2</sup>C/SPI BIOS
- ♦ CD connector  
IDE  
PCI  
SDVO B

### Power Requirements

- ♦ +12V, +5VSB, +3.3V RTC power
- ♦ Support AT and ATX power supply

### Dimensions

- ♦ 95mm (W) x 125mm (L)

### Environment

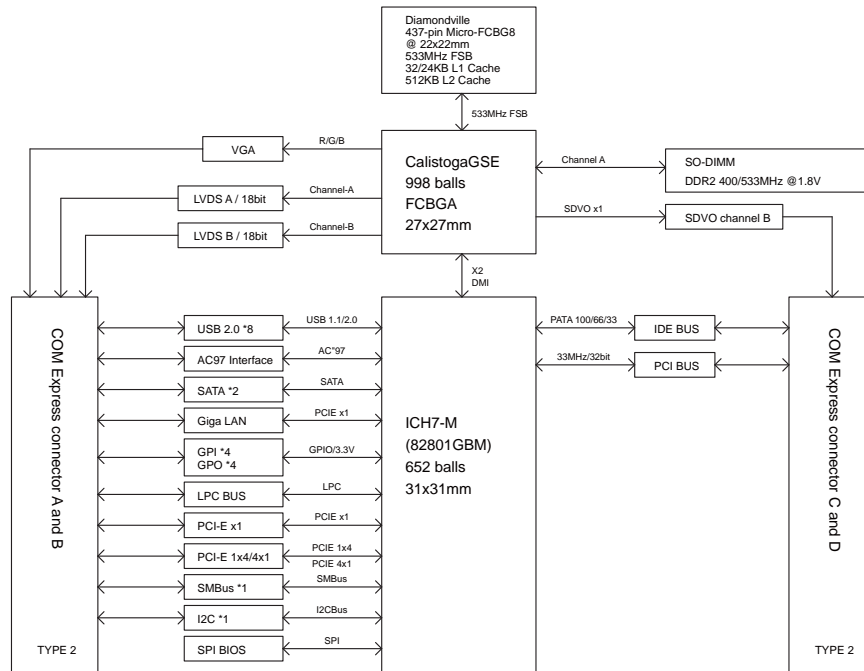
- ♦ Operating temperature: 0°C to 60°C
- ♦ Storage temperature: -20°C to 80°C
- ♦ Relative humidity:  
10% to 90% (operating, non-condensing)  
5% to 95% (non-operating, non-condensing)

### Certifications

- ♦ CE approval
- ♦ FCC Class A



## Block Diagram



## Ordering Information

- ICES 270 (P/N: 10K00027000X0)**  
 COM Express Basic Module Type II with Intel® Atom™ N270 (1.6G) processor