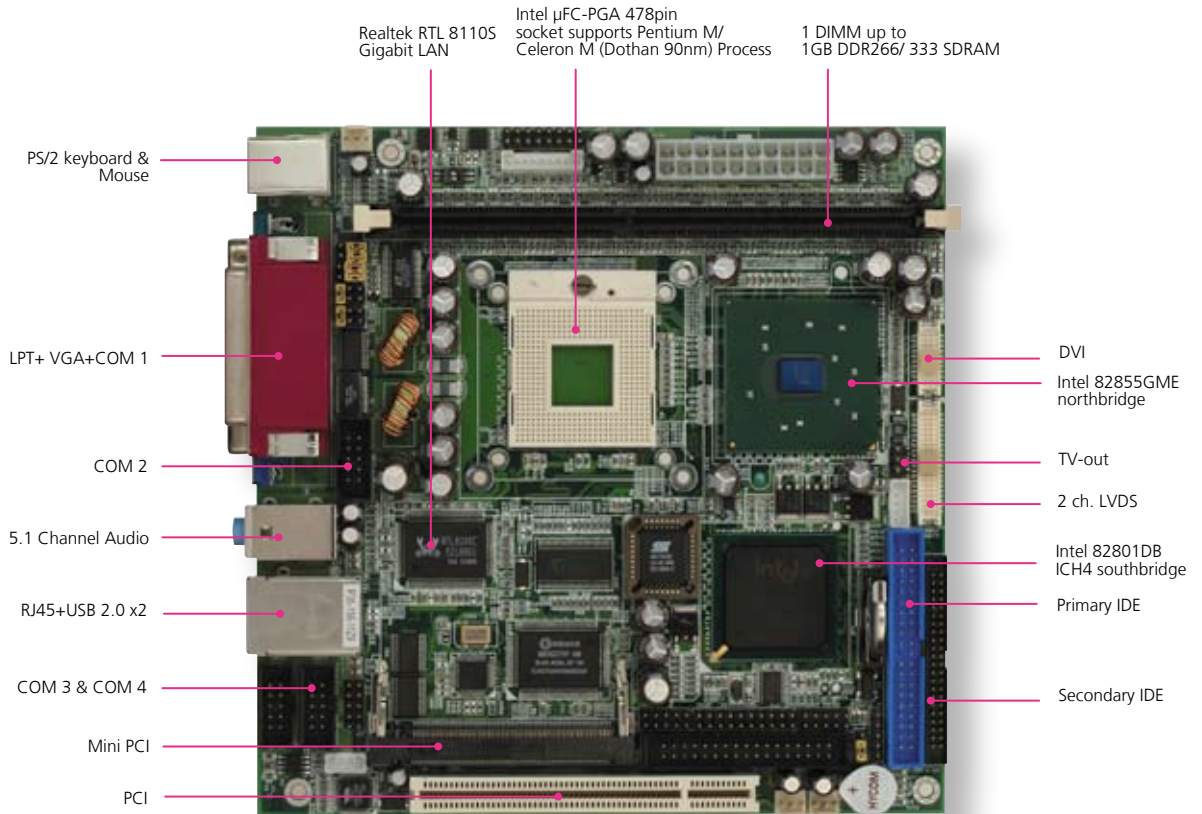


# EM-9642

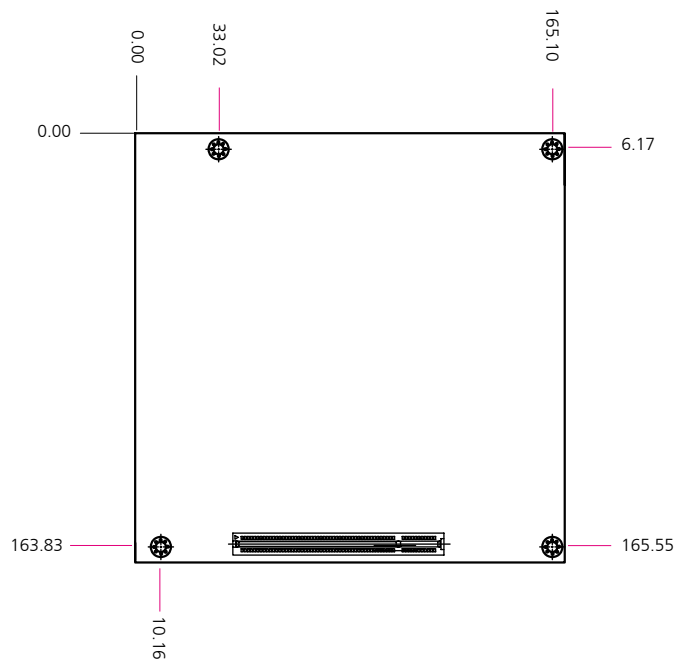
Mini ITX Intel® 855GME  $\mu$ FC-PGA 478 Pentium® M/Celeron® M motherboard with dual display/ Audio/ LAN/ COM/ USB

- VGA
- LCD
- AUDIO
- LAN
- CF
- TV
- COM
- USB



## FEATURES

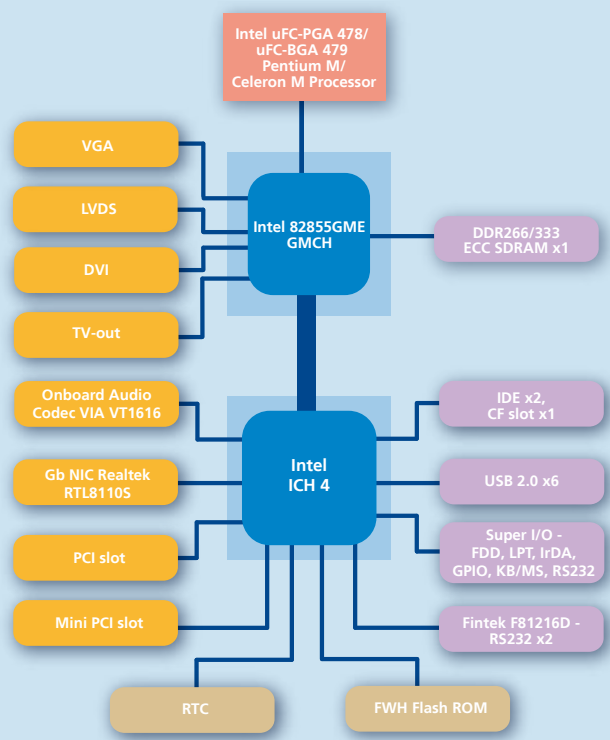
- Supports 90nm Intel  $\mu$ FC-PGA 478 /  $\mu$ FC-BGA 479 Pentium M / Celeron M CPU
- Intel 82855GME Chipset
- One DIMM up to 1 GB DDR 266/333 SDRAM with ECC Supported
- DVI, 2-CH LVDS, Dual View, Optional Built-in Touch Screen I/F
- 5.1 CH Audio, TV-out
- Realtek RTL8110S Gigabit LAN
- 1 PCI, 1 Mini PCI, Type I/II CF
- 4 COM, 6 USB 2.0, 16-bit GPIO



FEATURE	DESCRIPTION	
<b>Platform</b>	Form Factor	Mini-ITX
	Processor	Intel Pentium M , Intel Celeron M , Socket 478
	Chipset	Intel 82855GME GMCH + ICH4
	BIOS	Award Flash BIOS
	Cache Memory	Processor Built-in
<b>System Memory</b>	Technology	DDR 266/333 SDRAM
	Max Capacity	1 GB
	Socket	184-pin DIMM x1
<b>Storage Interface</b>	IDE Interface	IDE x2
	Speed	10/100/1000 Mbps
<b>Networking</b>	I/O	RJ45 x1
	Controller	Realtek RTL8110S
<b>Display</b>	Controller	Intel 82855GME GMCH integrated 2D/3D Extreme Graphics Engine
	Shared memory	Support 16/32/64 MB frame buffer
	Output	LVDS,DVI,TV-out
	Codec	Intel ICH4 with VIA VT1616 supports 5.1 CH Audio
<b>Audio</b>	I/O	Mic-in, Line-in, CD Audio-in, Line-out
	Floppy Drive Interface	FDD header x1
<b>I/O Interface</b>	Serial Port	RS-232 x 3, RS-232/422/485 x1
	Universal Serial Bus	6 (v2.0)
	Bus interface	PCI
	IR Interface	115k bps, IrDA 1.0 compliant
	Keyboard	PS/2
	Mouse	PS/2
	Controller	Winbond W83627HF-AW integrated Hardware monitor function
	RTC	Winbond W83627HF-AW integrated RTC with Li-Battery
<b>Hardware Monitoring</b>	Watchdog timer	256-level time-out intervals
	Cooling	Heatsink & Fan
<b>Expansion</b>	PCI slot x1	
<b>Environmental Parameters</b>	Temperature, ambient operating	0~60°C (32~140°F)
	Humidity (RH), ambient operating	0%~90% relative humidity, non-condensing
	Storage Temperature	-20~70°C (-4~158°F)
<b>Physical Dimensions</b>	Dimensions	170 mm x 170 mm (6.69" x 6.69" )
	Input	DC +3.3V/+5V/+12V/+5Vsb
	Form Factor	ATX support
<b>Power</b>	Consumption	+5 V @ 3.34 A, +12 V @ 0.09 A, +3.3 V @ 3.74 A, 5 Vsb @ 0.23 A (with Intel Pentium M 1.8 GHz & 256 MB DDR SDRAM)
	<b>Compliance</b>	CE, FCC,RoHS

ORDERING INFORMATION	
<b>EM-9642A</b>	LVDS+DVI/TV-OUT/4 COMS/CF/PCI/Mini PCI
<b>EM-9642B</b>	LVDS/2 COMS/PCI

### PLATFORM ARCHITECTURE



**About Lanner**  
Founded in 1986 and publicly listed (TAIEX 6245) since 2003, Lanner Electronics Inc. is an ISO 9001 certified designer and manufacturer of reliable, frontline security, storage and applied computing platforms and solutions. With headquarters in Taipei, Taiwan and branches in the U.S., India, and China, Lanner is uniquely positioned to deliver custom technical solutions with localized, value-added service.

**Contact information**  
Lanner Electronics Inc  
7F, 173, Section 2 Datong road  
Sijhih City, Taipei County 221, Taiwan  
**T** +886 2 86926060  
**F** +886 2 86926101  
**E** sales@lannerinc.com  
**W** www.lannerinc.com