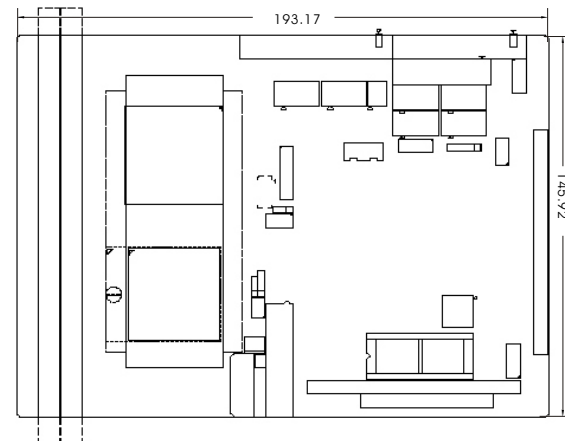
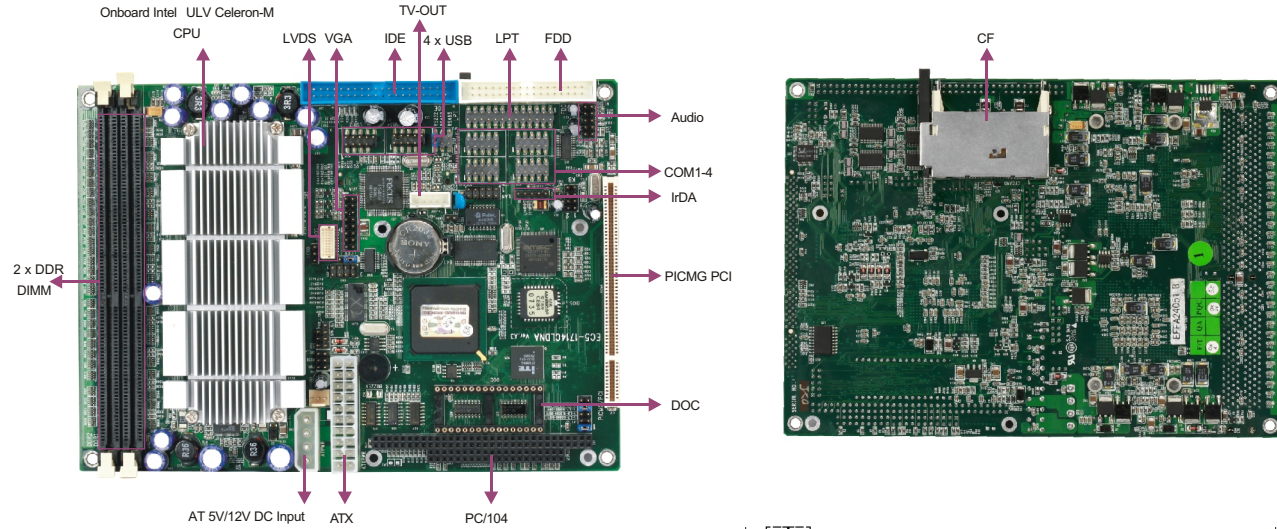


EC5-1714CLDNA

5.25" SBC with ULV Celeron® M CPU and LVDS/VGA/CF/LAN/Audio/4 COM



Features

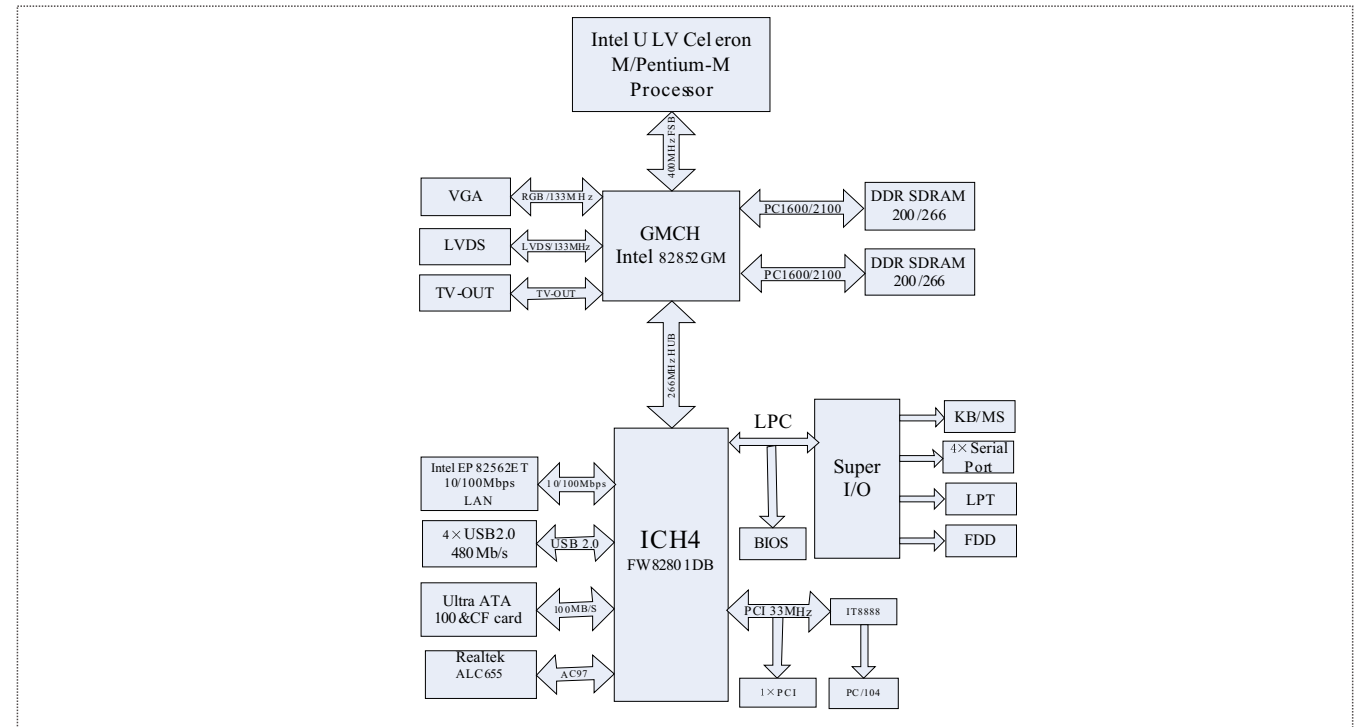
- Supports Intel® 400MHz FSB ULV Celeron® M and Pentium® M processor
- Supports 2 x 184-pin DIMM, up to 1GB DDR200/266
- Supports VGA+LVDS independent dual display
- Supports 1 x 10/100Mbps Ethernet controller
- Supports 4 x USB2.0, 4 x COM, 1 x IDE, 1 x FDD, 1 x LPT, 1 x CF, 1 x DOC, 1 x IrDA

Specifications

System	
Processor	Supports Intel® 400MHz FSB ULV Celeron® M and Pentium® M processor
Chipset	Intel® 852GM+ICH4
Memory	Supports 2 x 184-pin DIMM, up to 1GB DDR200/266
Hardware Monitor	Monitors CPU temperature, voltage and watchdog timer, etc.
Watchdog Timer	1~255 sec./min. timer system reset/interrupt, setup by software
Expansion Interface	1 x PC/104, 1 x PICMG PCI
Storage	
IDE	1 x 40-pin Ultra ATA33/66/100 interface
Serial ATA	N/A
Floppy	1 x FDD
CF	1 x CompactFlash Socket Type I/II
DOC/DOM	1 x 32-pin DOC
I/O Interface	
USB	4 x USB2.0 ports, available 2 x 9-pin header onboard
Serial Port	4 (1 x RS-232/422/485, 3 x RS-232), available interfaces of 4 x 10-pin header onboard
Parallel Port	1 x LPT interface
IrDA	SIR 115 kbps, IrDA 1.1 compliant
GPIO	4 x GPI, 4 x GPO
Audio	AC'97, onboard Realtek ALC655, available interfaces of Speaker-out, Line-in and Mic-in

Display	
Chipset	Intel 852GM integrated graphics acceleration controller
Memory	Supports shared memory for video, up to 64MB
Resolution	VGA mode up to 2048 x 1536@75Hz or 1600 x 1200@85Hz LVDS mode up to 1600 x 1200@18bit
Dual Display	VGA+LVDS independent dual display LVDS+TV-out, VGA+TV-out simultaneous dual display
Ethernet	
Chipset	Intel® EP82562ET
Speed	10/100Mbps
Connector	1 x RJ45
Mechanical and Environmental	
Dimensions	203mm x 146mm
Operating Temperature	-15°C~65°C
Storage Temperature	-25°C~75°C
Operating Humidity	5%-90%, non-condensing
Power	
Power Supply	Supports ATX/AT power supply
Power Consumption	Typical 10.87W (ATX, Celeron M 600MHz, 1GB DDR400)
Operating System	
Windows OS	Windows 2000/Windows XP
Embedded OS	Linux/XP Embedded/WinCE

Board Diagram



Available Accessories

Part Number	Name	Description	Qty.
2360-000831	Y-cable for keyboard and mouse/RoHS	PS/2 port connector to 2 x 4 Pin, length: 300mm/RoHS	1
2360-000841	Audio cable/RoHS	Three audio jacks to one 2 x 5 Pin, length: 220mm/RoHS	1
2360-000851	VGA cable/RoHS	VGA connector to 2x8 Pin, length: 220mm/RoHS	1
2360-002571	Dual USB ports with bracket/B4/RoHS	Two USB ports to one 2 x 5 Pin, length: 210mm/RoHS	1
2360-006641	LAN cable/RoHS	RJ45 connector to 2 x 5 Pin, length: 150mm/RoHS	1
2360-008331	HDD flat cable/RoHS	DMA66/HDD/cable/40P/80-line/length: 450mm	1
2360-009031	FDD flat cable/RoHS	34P/floppy disk/data/cable/200/350	1
2360-010011	Serial cable/RoHS	DB9 connector to 2 x 5 Pin, length: 265mm/RoHS	4
2360-010161	Parallel port cable with bracket/RoHS	DB25 connector to 2 x 13 Pin, length: 265mm/RoHS	1

Related Product

Item	Typical Recommendation
PC/104 Expansion Card	104-8COM, 104-32ADT, 104-64IO
PCI Expansion Card	EPP-6102(C)
Power Supply	AT or ATX

Ordering Information

Part Number	Model Number	Description
0030-009330 (0030-009331)	EC5-1714CLDNA PM-1.8G	Motherboard/Pentium-M 1.8G (RoHS)
0030-006130 (0030-006131)	EC5-1714CLDNA-600M	Motherboard/Celeron-M 600M (RoHS)
0030-005030 (0030-005031)	EC5-1714CLDNA-800M	Motherboard/Celeron-M 800M (RoHS)
0030-005150 (0030-005151)	EC5-1714CLDNA-TV	Motherboard/TV (RoHS)
0030-005110 (0030-005111)	EC5-1714CLDNA-TV-600M	Motherboard/Celeron-M 600M/TV (RoHS)
0030-005080 (0030-005081)	EC5-1714CLDNA-TV-800M	Motherboard/Celeron-M 800M/TV (RoHS)
0030-012530	EC5-1714CLDNA-TV-PM1.4G	Motherboard/Pentium-M 1.4G
0030-001700 (0030-001701)	EC5-1714CLDNA/C-M1.0G(512K)	Motherboard/Celeron-M 1.0G(512K) (RoHS)
0030-001720 (0030-001721)	EC5-1714CLDNA/C-M1.0G(512K)/no CF socket	Motherboard/Celeron-M 1.0G(512K)/no CF socket (RoHS)
0030-001711	EC5-1714CLDNA/C-M1.0G(512K)/conformal coating	Motherboard/Celeron-M 1.0G(512K)/RoHS/conformal coating
0030-001640 (0030-001641)	EC5-1714CLDNA/CM1.5G	Motherboard/Celeron-M 1.5G(RoHS)
0030-001691	EC5-1714CLDNA/CM1.5G/no CF socket	Motherboard/Celeron-M 1.5G/no CF socket/RoHS
0030-001630	EC5-1714CLDNA/TV1.6G	Motherboard/Pentium-M 1.6G/no CF socket/TV
0030-001681	EC5-1714CLDNA/no CF socket	Motherboard/no CF socket/RoHS