

MRC 2000-E

Rugged 8.4" Fan-less Tablet PC with Intel® Atom™ Processor/
Touch Screen/WiFi



Main Features

- Intel® Atom™ CPU 1.1GHz
- Built-in WiFi 802.11/b/g/n
- Built-in 3.5G, CDMA or WIMAX module (Optional)
- Built-in 1D Laser Barcode Scanner or RFID (Optional)
- Built-in Bluetooth module/ GPS (Optional)
- 1 x Navigation Key and 4 x Programmable Function Key
- Integrated Fingerprint for security (optional)
- Battery life longer than 4~8 hours
- Rugged Design- Meets Multiple MIL Specs

Specifications

CPU Support

- Intel® Atom™ processor 1.1 GHz with 512 KB on-die L2 cache, 400MHz/533MHz FSB (2W~2.4W)

Chipset

- Intel® System Controller Hub US15W (single chip integrated graphics and I/O controller)

Main Memory

- 1 x 200-pin DDR2 SO-DIMM socket, up to 2 GB SDRAM

Storage

- 1 x SSD (ZIF Type) PATA interface

Audio

- ALC888-VC2-GR HD Codec
- AC '97 Compatible
- 1 x external MIC-in and 1 x external Line-out

Display

- Intel® System Controller Hub US15W ultra low power controller integrated with 2D & 3D HW accelerator and high definition hardware video decode engine, UMA up to 256 MB
- Internal LVDS display port and SDVO expansion port
- Supports dual independent display (LVDS + SDVO)
- LVDS: supports IGD to communicate directly to an on-board flat panel display, panel support 800x600 SVGA 18bit TFT LCD, or 1024 x 768 resolution via driver support (virtual mode)
- Touch Screen: Analog Resistive 4 wire touch screen
- Ambient light sensor for LCD backlight control

I/O

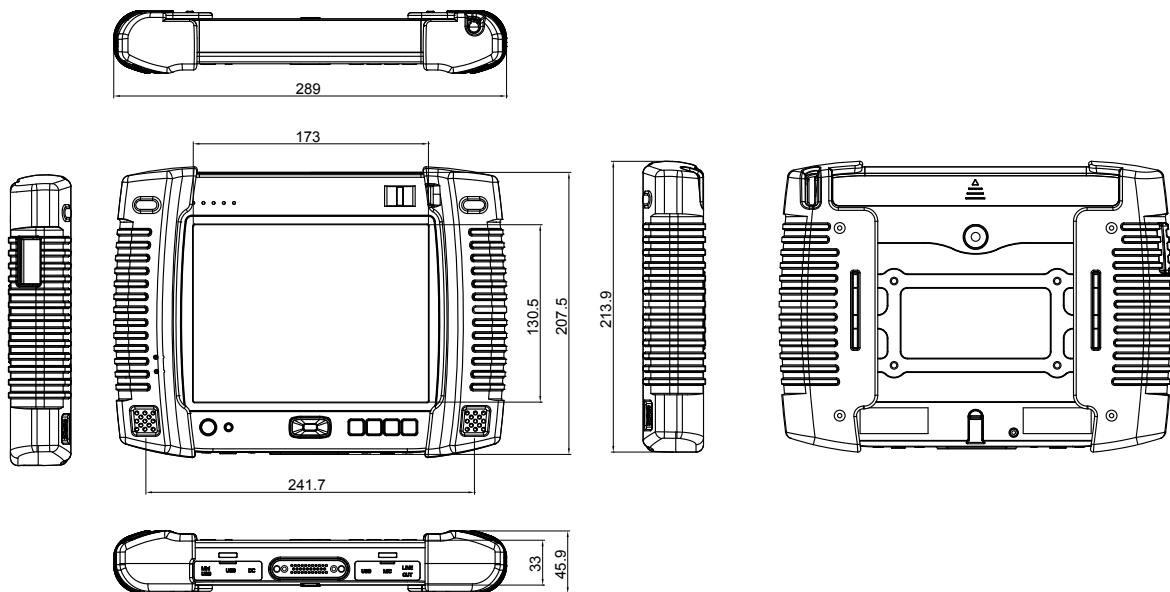
- 2 x External USB 2.0 port ; 1 x Mini USB (Client)
- 1 x Finger Printer Sensor
- 1 x PATA ZIF Connector for SSD
- 1 x MIC-in / Line-out
- 1 x 2.0 M CMOS Camera
- 1 x 19V DC power input
- 1 x WiFi Module
- 1 x 3.5G Module (optional)
- 1 x GPS Module (optional)
- 1 x 32-pin PoGo connector for docking station
- 1 x Bluetooth Module V 2.0 + EDR (optional)
- 1 x RFID Module (optional)
- 1 x Barcode scanner (optional)

I/O Interface-Front

- Power on/off Status (Blue LED on power switch)
- Battery Status (Green LED : Battery Discharged / Glows Orange: charging / fully charged : Battery LED turn off)
- Battery Low (Battery LED : Glows Green and Power LED Glows Blue)
- Wireless on/off LED (Orange LED on Wireless on/off switch ,Glows Orange is being accessed)
- Hard Disk Drive Status (Green LED: Glows Green HDD is being accessed)
- 4 x Programmable function keys
- Navigation key
- Power ON/OFF switch
- Wireless ON/OFF switch
- Camera Snap Shot button
- Barcode Scanner button



Dimension Drawing



Expansion Slot

- Bus Interface: SDVO and USB 2.0
- Docking Connector:
 - 2 x USB 2.0
 - 1 x RS-232
 - 1 x Mini card socket
 - 1 x LAN 10/100 base-T port
 - DC-in 9-36V power input

Power Input

- Power Input Voltage: DC 19V/3.42A
- Power Output: 65W (Max)
- Internal Battery: Rechargeable 3 Cell (3S1P) Lithium Ion Smart Battery Pack(2600 mAh @ 11.1V, 28.86W/hr) Over Charge Protection, Over Discharge Protection, Over Current and Output Short

Dimensions

- 289 mm (W) x 214 mm (H) x 46 mm (D) with Rubber
- 280 mm (W) x 205 mm (H) x 37 mm (D) without Rubber
- Weight: 1.65 Kg with Rubber; 1.35 Kg without Rubber

Construction

- Plastic – upper and lower housing (ABS + PC)
- Color: Black (1 color for top cover and bottom Logo position - silk screen on surface)

Environment

- Operating Temperature: -20°C to 50°C
- Storage Temperature: -30°C to 60°C
- Storage Humidity: 5 to 95% non-condensing
- Drop: 4 feet (1.2m)
- Dust & Water Proof: IP54
- Compliance: MIL-STD-810F and IP54

Certifications

- CE approval
- FCC Class B

Ordering Information

- **MRC 2000-E (P/N:10U00200001X0)**
8.4" Fan-less Ruggedized Tablet PC
with Intel® Atom™ 1.1GHz Processor/8GB SSD/1GB Memory/Touch Screen/
WiFi
- **Optional Accessory Ordering Information for MRC 2000-E**
 - 1D Laser Barcode scanner-Opticon (P/N:88U00210004X0)
 - 3.5G GSM Module: Sierra MC8775V (P/N:88U00210005X0)
 - MRC 2100 Battery Pack (3S1P) (P/N:4ZTSS26301X00)
 - Windows Vista (P/N:6014400749X00)
 - Windows XP Pro for Embedded (P/N:6014400748X00)
 - Windows XP embedded (P/N:6014400798X00)
 - MRC 2100 Power Adapter (P/N:7400065005X00)
 - POWER CABLE (US) (P/N:60233POW38X00)
 - POWER CABLE (EU) (P/N:60233POW39X00)
 - POWER CABLE (UK) (P/N:60233POW40X00)
 - RFID Module: HF type 13.56MHz (P/N:88U00210003X0)
 - GPS Pack (P/N:88U00200000X0)
 - Carry case (P/N:6019900015X00)