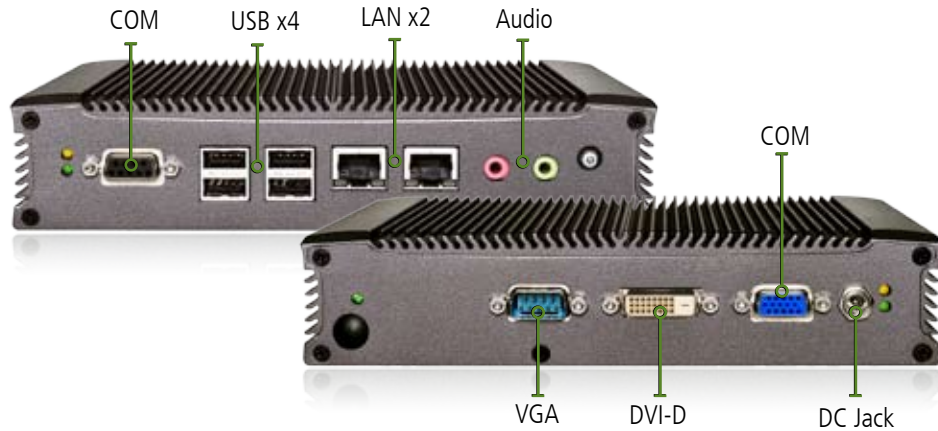


# LEC-7020

## Small Form Factor IPC with Intel® Atom™ N270



### Features

#### Integrated SIM card reader

Integrated in a mini-PCIe slot, the SIM card readers allow for users to enable 3G use for their IPC.

#### Intel® Atom™ N270

Single core Intel Atom N270 features 1.6GHz clock speed and a 512KB cache. It utilizes 2.5W of power.

#### Extreme operating temperature

This product is ruggedized to support a wider than usual range of temperatures. Outfitted with industrial components (HDD/SSD, CF, Memory) this appliance can thrive in harsh conditions.

#### Dust proof design

Solid chassis design with a fanless interior allows for this product to be completely dustproof when installed correctly, insuring longevity of the product.

#### Screw-locked power plug

This power plug is made to screw directly into the appliance chassis, allowing secure power connection in even the harshest of settings.

#### Fanless

This IPC's lifespan has been extended by removing the most easily damaged component, the fan.

#### LED indicators

LED indicators makes it easy to check working status.

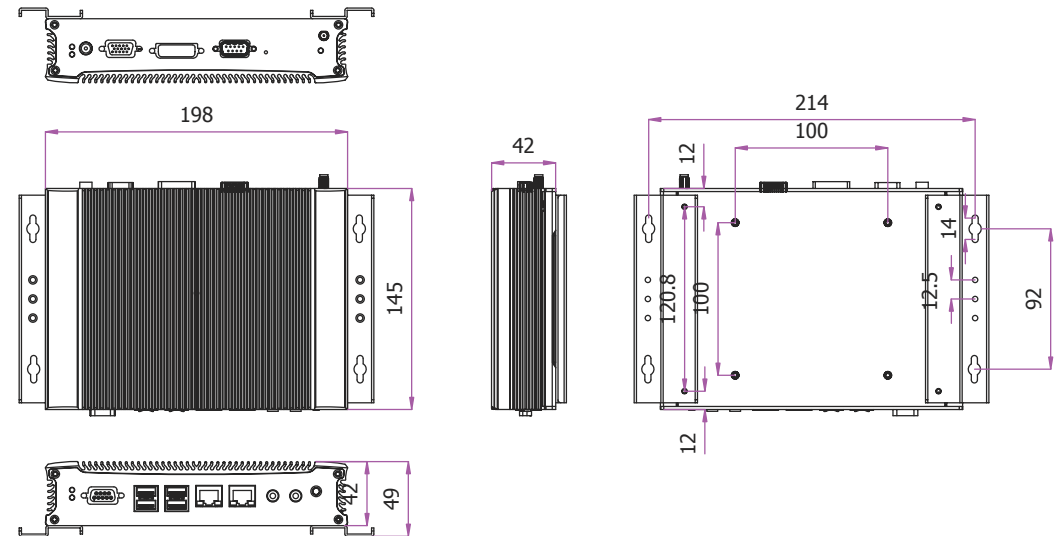
#### Cable-free interior

The interior of this product contains no wires, making this industrial product as rugged as possible.

#### Multiple display ports

This platform comes with multiple video-out ports to allow easy integration with any signage set-up.

### Dimensions



## Specifications

<b>Dimensions (WxHxD)</b>		198x42x145mm (7.80"x1.65"x5.71")
<b>Processor</b>		Intel Atom N270 (1.6GHz)
<b>Chipset</b>		Intel 945GSE + ICH7M
<b>System Memory</b>	Technology	DDR2 SODIMM x1
	Max. Capacity	Up to 2GB
<b>Storage</b>	IDE	CF socket Type I/II x1
	SATA	2.5" SSD/HDD drive bay x1
<b>Ethernet Controller</b>		Realtek RTL8111E x2
<b>Graphic Controller</b>		Intel Integrated Graphics Media Accelerator 950
<b>Audio Controller</b>		Realtek RTL8111C x2
<b>IO</b>	LAN	GbE RJ45 x2
	Display	DB15 x1 for VGA
		DVI-D x1
	Video Grabber	No
	Audio	Phone Jack x2 for Mic-in and Line-Out
	Serial I/O	DB9 x1 supports RS232
	GPS	No
	Digital I/O	DB9 Female x1 for DI x4 & DO x4 (5V TTL)
	USB 2.0	Type A x4
	Power Input	DC jack w/ lock
	Expansion	Mini-PCIe x1 (one with SIM card reader)
Others	External: Power-On Button, SMA Antenna Hole Internal: Reset	
<b>Power Input</b>		+12Vdc +/-5%, ATX Mode
<b>AC Adapter</b>		60W +12V @ 5A
<b>Hardware Monitor</b>		Winbond W83627UHG Integrated Watchdog Timer 1~255 level
<b>OS Support</b>		Linux, XPE/WES2009, XP Pro FES, WS7E, WS7P, Win 7 Pro FES
<b>Certifications</b>		CE, FCC Class A
<b>Compliance</b>		No
<b>Operating Temperature Range</b>	With Industrial Components	-10~55°C/14~131°F
	With Commercial Components	-5~45°C / 23~113°F

## Ordering Information

LEC-7020D	Intel Atom N270 1.6Ghz CPU, w/ 1 COM, DVI-D / VGA Display, Dual GbE, Audio, DIO (4in 4 Out), +12V DC (ATX)
-----------	--

### Standard Accessories

<b>080W1N2201001</b>	SATA SSD / HDD cable w/ power
<b>0P0W060120001</b>	AC Adapter 60W 12V/5A, DC jack w/ Lock

### Optional Power Cords

<b>080W240318306</b>	US Power Cord
<b>080W240318305</b>	Schuko (EU) Power Cord
<b>080W240318301</b>	UK Power Cord
<b>080W240318307</b>	China Power Cord
<b>080W240318309</b>	Japan Power Cord

### Optional Mounting Brackets

<b>VESA Mount</b>	<b>PE9ESA8300100</b>
<b>RACK Mount</b>	<b>PE9ESA8310100</b>
<b>DIN Rail Mount</b>	<b>090W405000001</b>
<b>DIN Rail Mount A</b>	<b>090W405000001</b>

### Optional Accessories

<b>3G Module</b>	<b>0TAWMC8790Z01</b>	Sierra MC8790
<b>3G Module</b>	<b>0TAW0EM770Z01</b>	HuaWei EM770W (**MOQ 200)
<b>3G Module</b>	<b>0TAW34600Z01</b>	Novatel E346 (**MOQ 50)
<b>Wi-Fi Module</b>	<b>0TAWQ802XKZ02</b>	802.11 b/g/n Mini-PCIe card
<b>Antenna</b>	<b>080W1Q0001501</b>	Internal Wi-Fi Antenna Cable
<b>Antenna</b>	<b>0TZW000000039</b>	SMA Antenna, male jack / female plug