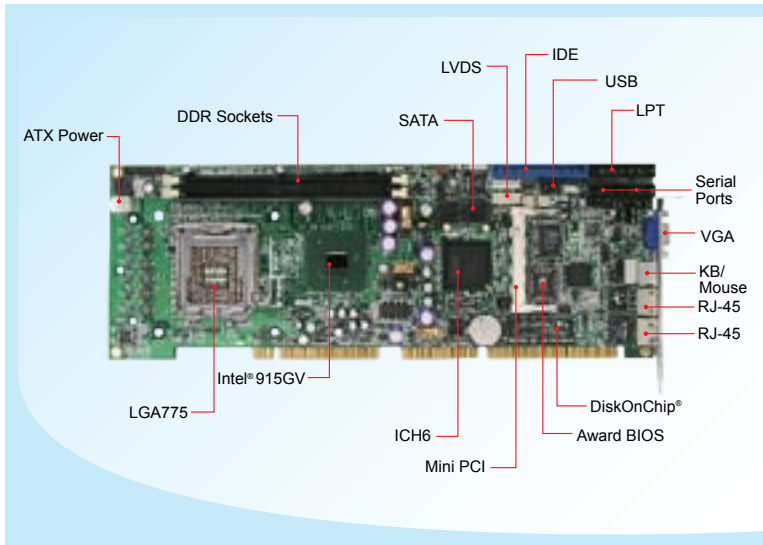


CPU Cards

IB866

LGA775 Pentium® 4 Full-Size CPU Card w/ Intel® 915GV Chipset

Pentium® 4-Based



Features

- Supports Pentium® 4 / Celeron® D processors
Up to 3.8GHz, 533MHz/800MHz FSB
- DDR DIMM x 2, Max. 2GB
- 10/100 and PCI-Express Gigabit Ethernet
- Integrated Intel® 915GV VGA, CRT support, LVDS
- 4 x SATA, 4 x USB 2.0, 2 x COM, Digital I/O, Watchdog timer, PCI to ISA bridge
- 1 x Mini PCI

CPU Cards

System

CPU	Socket LGA775 for Pentium® 4 / Celeron® D, up to 3.8GHz
System Memory	DDR DIMM x 2, Max. 2GB
System Chipset	Intel® 915GV + ICH6, 533MHz/800MHz FSB
BIOS	Award
Watchdog Timer	256 levels
SSD	DiskOnChip®
H/W Monitor	Yes
Expansion Slot	1 Mini PCI

Graphics

VGA Controller	Intel® 915GV integrated for CRT
VGA Memory	DVMT 3.0 support; Max memory allocation based on total system memory
LCD Interface	Chrontel CH7308, 18-bit/24-bit single or dual channel LVDS

Ethernet

Controller	Intel® 82551QM 10/100 LAN, optional Marvell 88E8053 PCI-Express Gigabit LAN
Connector	2 RJ-45 on board

Multi I/O

Chipset	ICH6, Winbond 83627H1x IDE (UDMA33/66/100), 1x FDD (slim), 1x KB, 1x Mouse 1x RS-232, 1x RS-232/422/485, 4x SATA
USB	Pin header for 4 ports (USB 2.0)
Audio	ICH6 built-in audio + AC97 codec
Others	PCI to ISA bridge, IrDA, Digital I/O 4-in/4-out

Mechanical and Environmental

Dimensions	338mm x 122mm F (13.31" x 4.8")
Max. Power Requirement	Pentium® 4 LGA775 3.6GHz 512MB +5V: 6.23A +12V: 10.83A
Operating Temperature	0°C~60°C (32°F~140°F)
Storage Temperature	-20°C~80°C (-68°F~176°F)
Relative Humidity	10%~90% (non-condensing)

Ordering Information

IB866-R	LGA775 915GV Full-Size CPU card w/ 10/100 Ethernet (RoHS compliant)
IB866F-R	Socket LGA775 915GV Full-Size CPU card w/ 10/100 and PCI Express Gigabit Ethernet (RoHS compliant)

Remarks:

* Specifications are subject to change without prior notice.

For user's manual & datasheet download, visit www.ibase.com.tw