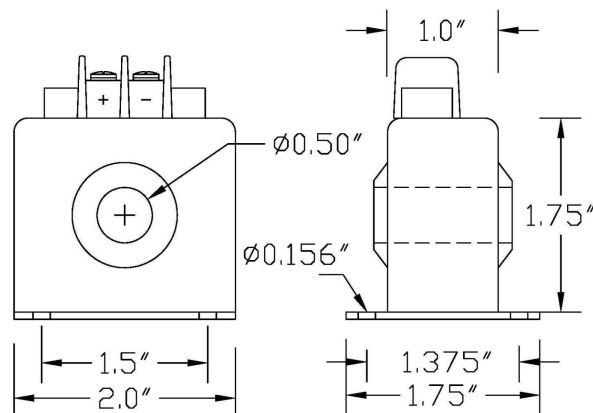


# MODEL 420



## STANDARD CURRENT RANGES

A.C. Amps, RMS

**0-5, 10, 15, 20, 30, 50, 75, 100**

## PERFORMANCE SPECIFICATIONS *with Optimum Load Resistance*

<b>Accuracy</b>	<b>0.2% (Standard)</b>
Repeatability	0.1% Full Scale
Response Time	150 Milliseconds Maximum
<b>Temperature Range</b>	<b>-25°C to 85°C</b>
Temperature Coefficient	0.04% F.S./ °C
<b>Conductor Cable Voltage</b>	<b>5000 Volts</b>
Supply Voltage	5 to 40 V.D.C.
Signal Out	4 to 20 m.A.
Frequency	Nominal 50/60 Hz

## CONNECTION SPECIFICATIONS

Conductor Cable Size	Up to 0.50" diameter
Isolation	Input/Output/Case
Insulation Resistance (between Output and Case)	100 Meg. Ohm Min. @500 V.D.C.

## ADDITIONAL SPECIFICATIONS

Max Weight (unit)	5 oz.
-------------------	-------



Manufacturer maintains right to change specifications without notice.

[WWW.KISCURRENTSENSORS.COM](http://WWW.KISCURRENTSENSORS.COM)

[info@kiscurrentsensors.com](mailto:info@kiscurrentsensors.com)

Toll Free: 800.258.9751

Fax: 281.492.0150