

# TPC-1071H TPC-1271H

## 10.4"/12.1" SVGA TFT LCD Intel® Atom™ Dual-Core D525 Touch Panel Computer



### Features

- Intel® Atom™ processor up to 1.8 GHz
- 10.4" /12.1" SVGA TFT LCD
- Compact design with die-cast Al front bezel
- Fanless cooling system
- NEMA4/IP65 compliant front panel
- PCIe and Mini PCIe expansion support
- 8 DI/O and backup SRAM support
- Supports DDR3 SDRAM
- Serial port isolation protection
- Automatic data flow control RS-485
- Gigabit Ethernet supported
- Supports Microsoft® WES7/XP/WES/WinCE

### Introduction

With a high quality TFT LCD display, TPC-1071H / 1271H are designed with the Intel® Atom™ D525 processor as its core. The Intel® Atom™ has low power consumption and 1.8 GHz operating frequency. This system is fanless although the kernel is powerful. In addition, spindle-free storage makes the TPC-1071H / 1271H are durable and reliable platforms. For applications where spindle-free storage is not critical, a fast-access HDD module can be used. The rich I/O portfolio meets diverse requests.

### Specifications

#### General

- **BIOS** AMI
- **Certifications** BSMI, CCC, CE, FCC Class A, UL
- **Cooling System** Fanless design
- **Dimensions (W x H x D)** TPC-1071H: 286 x 227 x 70.3 mm (11.26" x 8.94" x 2.76")  
TPC-1271H: 311 x 237 x 71.6 mm (12.24" x 9.33" x 2.82")
- **Enclosure** Front bezel: Die-cast Aluminum alloy  
Back housing: ABS + PC
- **Mounting** Desktop, Wall or Panel Mount
- **OS Support** Microsoft® WES7/XP/WES/ WinCE5.0/6.0
- **Power Consumption** TPC-1071H: 17W /  
TPC-1271H: 20W (typical)
- **Power Input** 10~29 V<sub>DC</sub>
- **Watchdog Timer** 1 ~ 255 sec (system)
- **Weight (Net)** TPC-1071H: 3.5 kg (7.72 lbs)  
TPC-1271H: 4.57 kg (10.07 lbs)

#### System Hardware

- **CPU** Intel® Atom™ D525 1.8 GHz with 1MB cache
- **Chipset** ICH8M
- **Memory** 4GB SO-DIMM DDR3 SDRAM
- **LAN** 10/100/1000Base-T x 2
- **Expansion Slots** Full-size PCI-E or Mini PCI-E
- **Storage** CompactFlash® slot x 1  
2.5" SATA HDD x 1 (Optional)
- **I/O** RS-232 x 2 (COM1, 2) with isolation  
RS-422/485 x 1 (COM3) with isolation and auto data flow control  
USB 2.0/1.1 x 2 (Host)  
PS/2 x 1
- **DI/DO & backup SRAM** 8 x DI/DO with isolation and backup 1MB SRAM

#### LCD Display

- **Display Type** SVGA TFT LCD
- **Display Size** 10.4"
- **Max. Resolution** 800 x 600
- **Max. Colors** 262 K
- **Luminance cd/m<sup>2</sup>** TPC-1071H: 400  
TPC-1271H: 450
- **Viewing Angle (H/V°)** TPC-1071H: 120/100  
TPC-1271H: 160/140
- **Backlight Life** 50,000 hrs
- **Contrast Ratio** TPC-1071H: 400:1  
TPC-1271H: 700:1

#### Touchscreen

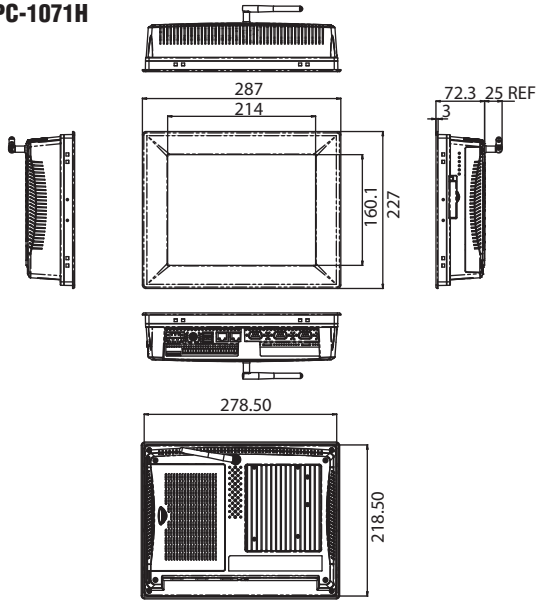
- **Lifespan** 10 million touches at single point
- **Light Transmission** Above 75%
- **Resolution** Linearity
- **Type** 5-wire, analog resistive

#### Environment

- **Humidity** 10 ~ 95% RH @ 40°C, non-condensing
- **Ingress Protection** Front panel: NEMA4, IP65
- **Operating Temperature** 0 ~ 50°C (32 ~ 122°F)
- **Storage Temperature** -20 ~ 60°C (-4 ~ 140°F)
- **Vibration Protection** With HDD: 1 Grms (5 ~ 500 Hz) (Operating, random vibration)

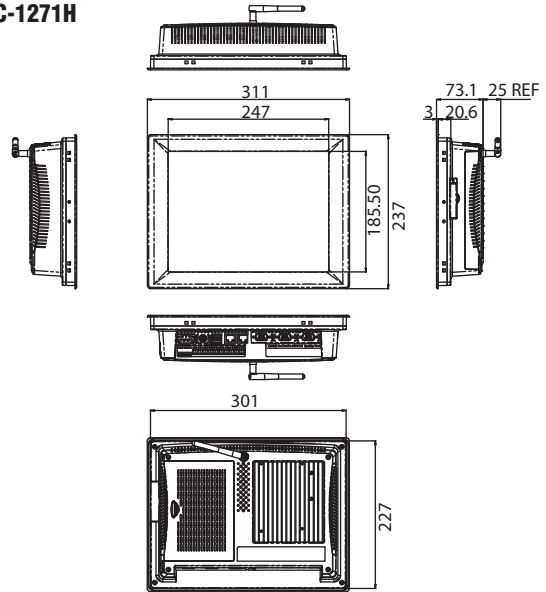
## Dimensions

TPC-1071H



Panel Cut-out Dimensions: 279.5 x 219 mm

TPC-1271H



Panel Cut-out Dimensions: 302 x 228 mm

Unit: mm

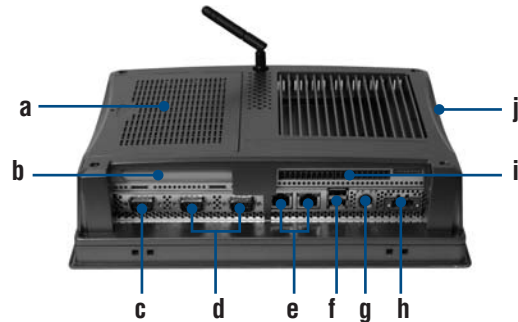
## Ordering Information

- **TPC-1071H-D3AE** 10.4" SVGA Touch Panel PC, D525 1.8 GHz, 4 GB
- **TPC-1271H-D3AE** 12.1" SVGA Touch Panel PC, D525 1.8 GHz, 4 GB

### Accessories

- **TPC-1000H-WMKE** TPC series wallmount kit from 10" to 17"
- **TPC-1000H-SMKE** TPC series stand kit from 10" to 17"
- **1757003463** 100-240V<sub>AC</sub> to 19V<sub>DC</sub> 90W Power Adapter
- **1700001524** Power Cord 3P UL 10A 125V 1.8M
- **1702002605** Power cable EU Plug 1.8M
- **1702031801** Power cable UK Plug 1.8M
- **1702031836** Power cable China/Australia Plug 1.8M
- **EWM-W139F01E** 802.11 b/g/n, RT5390, 1T1R, Full-size Mini-PCIe
- **PWR-247-AE** 50W DC 24V/2.3A Output Power Supply
- **1750000318** EMI Antenna 2DBI 2.4GHz SMA CONN for ARK-3384
- **1750003222** 802.11b/g 5dBi Dipole Antenna
- **1750003418** Wireless Antenna AN2400-5901RS R/P SMA.M9dB

## Rear View



- a. HDD
- b. PCI-E slot
- c. COM (RS-422/485)
- d. COM (RS-232)
- e. LAN (10/100/1000)
- f. USB 2.0
- g. PS/2
- h. Power Receptor
- i. DI/O ports
- j. CompactFlash

1	WebAccess Solution
2	Machine Automation
3	Hazardous Location Solutions
4	Substation Automation Gateways & RTUs
5	Building Automation Systems
6	Automation Software
7	Intelligent Operator Panels
8	Automation Panel PCs
9	Industrial Monitors
10	Industrial Ethernet Solutions
11	Serial Device Servers and IP Gateways
12	Serial Communication Cards
13	Embedded Automation Computers
14	Programmable Automation Controllers
15	M2M I/O Modules
16	Femto Controller
17	RS-485 I/O Modules
18	Ethernet I/O Modules