

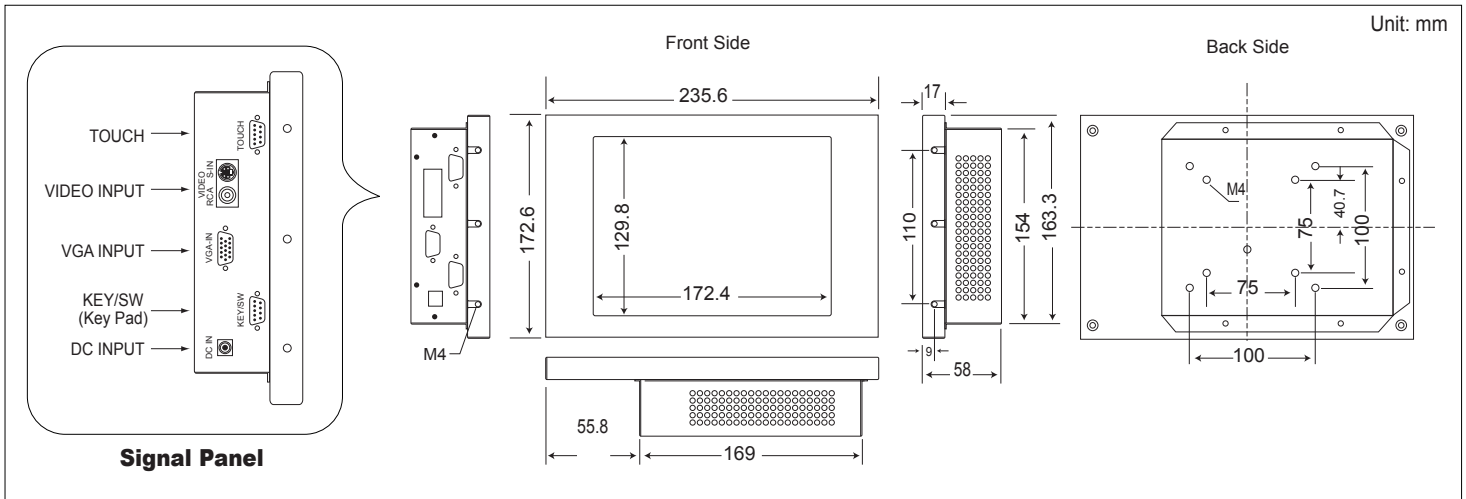
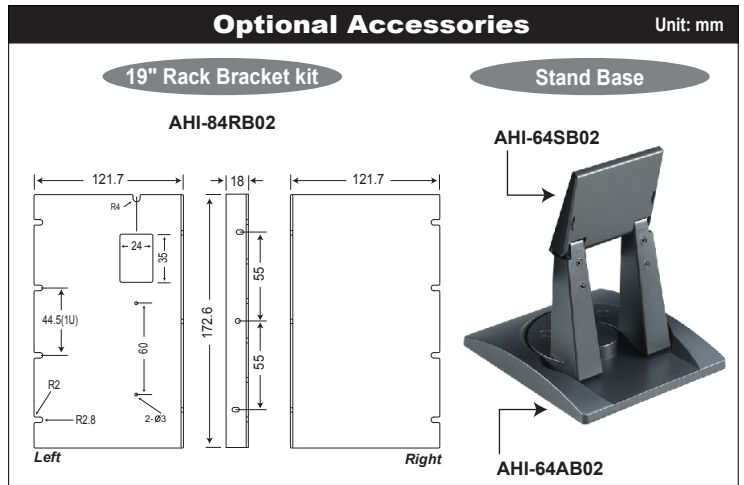
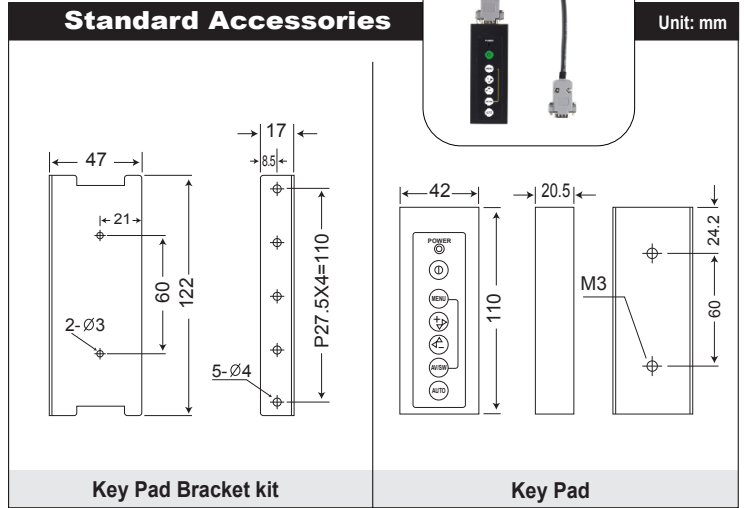
The Versatile 8.4" TFT LCD Color Monitor



Net



MODEL NO.	HI-84W12U	HI-84Y12U
Viewing area	8.4"	
Touch Panel	NO	YES(ELO)
Pixel Pitch	0.213 X 0.213 mm	
Resolution	800 X 600 SVGA	
Effective display area	170.4 X 127.8mm	
Color	262,144	
Response time(tr/tf)	20/30ms	
Contrast ratio	200:1	
Brightness	230 cd/m ²	
View angle	T:55° B:20° L:45° R:45°	
Backlight	1CCFL	
Lamp Life	20000hrs	
Input Signal	Analog VGA & Video	
Input Connector	D-Sub 15Pin, RCA Jack, S-VHS Din Type	
Scan frequency	H:31.5~53KHz / V:56~85Hz	
Control	OSD	
Power adaptor input	Universal AC 100~240 V, 50/60Hz	
Adaptor output	DC 12V	
Power Management	VESA DPMS Standard	
Consumption	18W / Stand by 2.5 w	
Operating Temperature/Humidity	0 ~ 40°C / 10 ~ 85%RH	
Storage Temperature/Humidity	-20 ~ 60°C / 10 ~ 90%RH	
Sync Signal	TTL Level +/- Polarity	
Scanning	Non-Interlace	
Dimension (mm)(WxHxD)	235.6 x 172.6 x 58	
Net Weight(Kg)	1.6	1.9
Safety & EMI	CE	
Vibration	10Hz / One-way 1m/m	
Pixel (MHz)	56.25 MHz	
Content	LCD Monitor, Key Pad, Power Adaptor, VGA Cable	



Specification subject to change without notice.