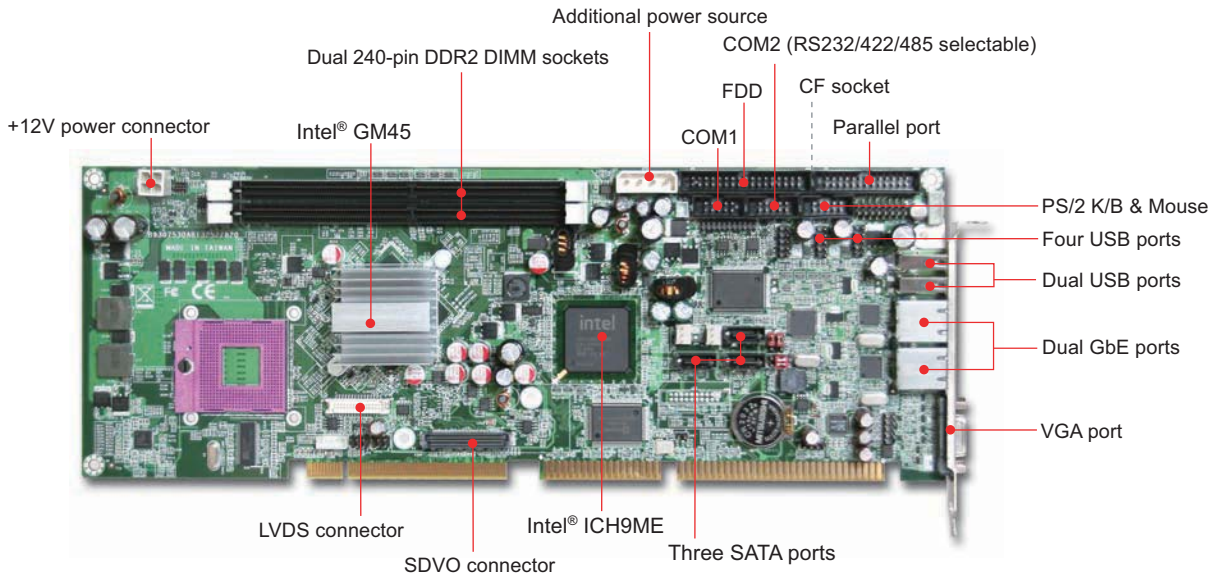


ROBO-8719VG2AR

Intel® latest 45nm Core™ 2 Duo or Celeron® M processor based PICMG SBC with DDR2 SDRAM, VGA, Dual Gigabit Ethernet and Audio



FEATURES

- ROBO-8719VG2A offers flexible FSB up to 1066MHz selection of Intel® 45nm Mobile Core™ 2 Quad, Core™ 2 Duo or Celeron® M processor that features high computing power with low heat
- Integrated 5th generation graphic engine Mobile Intel® GMA 4500MHD built with max. graphics core speeds up to 533MHz to improve graphics and 3D rendering performance
- Support two on-board display output options, including VGA and 24-bit LVDS for flexible display choice. An optional DVI-D output card support via board to board SDVO connector by project
- Support integrated Intel® Trusted Platform Module (iTPM) for more secure platforms
- Support CF socket by SATA to IDE bridge for more storage application
- High speed dual Gigabit Ethernet support
- Various I/O interface includes three high-speed SATA 300 ports, six USB 2.0 ports, single Parallel port, two COM ports and single FDD port

ORDERING GUIDE

Standard	ROBO-8719VG2AR Intel® latest 45nm Core™ 2 Duo or Celeron® M processor based PICMG SBC with DDR2 SDRAM, VGA, Dual Gigabit Ethernet, and Audio
Optional	PA-M1AU Multimedia kit with audio and USB ports PS/2 Keyboard/Mouse Cable with Bracket PS/2 keyboard/mouse connectors on bracket PA-G1D DVI output card via board to board SDVO connector

GENERAL

Processor	CPU & Package: Intel® 45nm Mobile Core™ 2 Quad, Core™ 2 Duo, Celeron® M processor in mFCPGA package FSB: 1066/800/667MHz
Chipset/Core Logic	Intel® GM45 and ICH9ME
System Memory	Up to 4GB DDR2 800/667 SDRAM on dual 240-pin DIMM socket
BIOS	Award BIOS
Storage Devices	EIDE: N/A SATA: Support three SATA 300 drives (RAID 0, 1)
Solid State Disk	One Type II CF socket (Up to UDMA5 mode)
Watchdog Timer	Programmable via software from 0.5 sec. to 254.5 sec.
Expansion Interface	N/A
Hardware Monitoring	System monitor (fan, temperature, voltage)
Power Requirement	Typical: +5V@5.4A; +12V@2A
Dimension	Dimension : 338.5(L) x 122(W) mm; 13.33"(L) x 4.8" (W) PCB: 8-layer
Environment	Operating Temperature: 0 to 60°C Storage Temperature: -20 to 80°C Relative Humidity: 5% to 95%, non-condensing
MTBF	111,404 hrs

I/O

MIO	Two serial (RS232 x1, selectable RS232/422/485 x1), one parallel and one FDD channel
IrDA	N/A
Ethernet	- Dual 10BASE-T/100BASE-TX/1000BASE-T Ethernet - PCI Express x1/GLCI/LCI interface based Gigabit Ethernet - Dual RJ-45 connector with two LED indicators
Audio	HDA interface, 2-channel Audio (Realtek ALC 262)
USB	Six USB 2.0 ports
Keyboard & Mouse	Two USB 2.0 on bracket dedicated to keyboard & mouse

DISPLAY

Graphic Controller	- GMCH integrated Intel® Graphics Media Accelerator 4500MHD - Provides improved 3D multimedia capabilities including DirectX 10, OpenGL 2.0, MPEG-2 hardware acceleration
Graphic Memory	Intel® Dynamic Video Memory Technology (DVMT) 5.0 shares system memory to 256MB
Display Interface	CRT: Up to QXGA (2048x1536 mode) LVDS: Dual channel 24-bit LVDS SDVO: Optional DVI-D output card via SDVO channel (Two display streams supported in above combination)