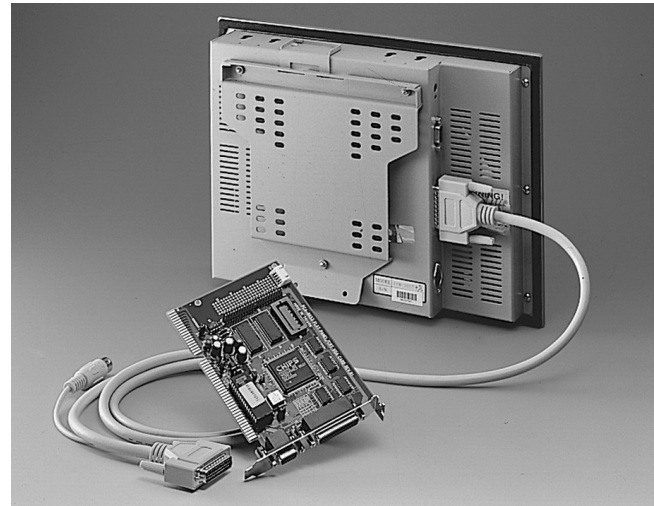
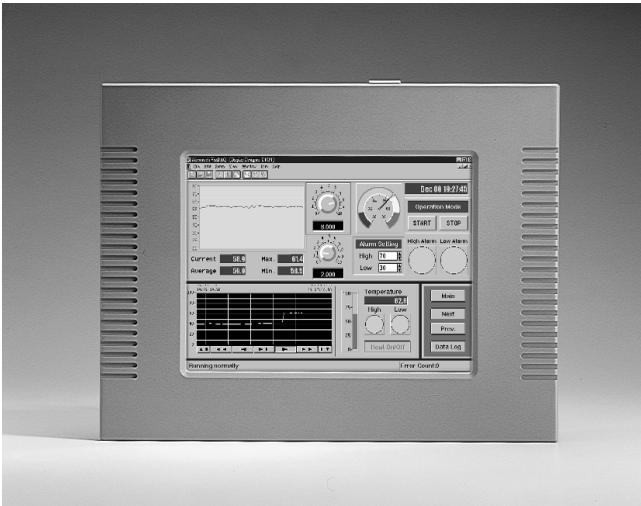


# FPM-30

## Industrial 10.4" Flat Panel Monitor with TTL Port



### Introduction

The FPM-30 series is flat panel monitors with 10.4" color TFT/DSTN LCDs. Being less than 2" in depth, the FPM-30 saves space and is light enough to fit almost anywhere. Equipped with an optional touchscreen, the FPM-30 can even be used as a remote display or controller for applications. Each model comes with a 1.8 m cable, optional 4.5 m and 10 m cables are available for extended display needs.

### Specifications

- **Front Panel:** aluminium panel meets NEMA4/IP 65
- **Mounting:** panel or wallmount
- **Dimensions (W x H x D):** 330 x 242 x 50 mm (13" x 9.5" x 2")
- **Gross Weight:** 5.4 kg (12 lbs)
- **Display Interface:** TTL
- **Display Card:** PCA-6653, ISA Bus
- **Touchscreen (optional):** analog resistive type

### LCD Display

Display type	TFT LCD
Display size	10.4"
Max. colors	262 K
Max. resolution	640 x 480
View angle	90°
Luminance	250 cd/m <sup>2</sup>
Backlight lifetime	50,000 hrs

### Video Display Card

- **Model:** PCA-6653
- **Board:** 16-bit ISA-bus, half-size
- **Video Chip:** CHIPS 65545
- **Memory:** 1 MB on board, frame buffer 512 KB (optional)
- **Max. Resolution:** 1024 x 768 for both flat panel and CRT displays
- **Connectors:** One DB-44 connector for flat panel display  
One DB-15 connector for CRT
- **Simultaneous CRT/LCD Display:** available with TFT, B/W LCD
- **Power Consumption:** +5 V @ 1 A, max.

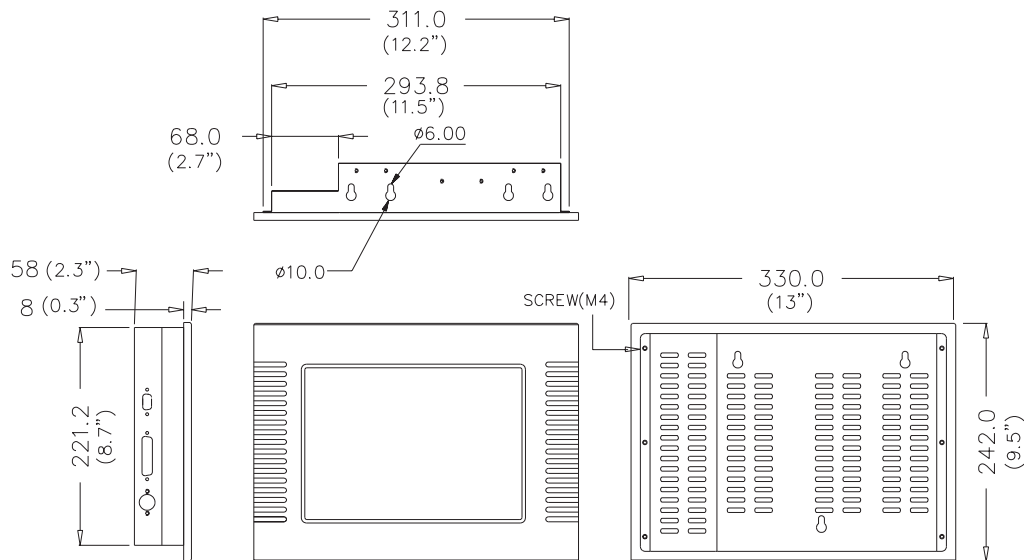
### Touchscreen (optional)

- **Type:** analog resistive
- **Resolution:** transmission @ 75%
- **Controller:** RS-232 interface
- **Power Consumption:** +5 V @ 200 mA
- **Software Drivers:** DOS and Windows supported
- **Life Cycle:** 30 million touches
- **Surface:** meets ASTM-D-1044 standard (taber abrasion test)

# Industrial 10.4" Flat Panel Monitor with TTL Port

## Dimensions

Unit: mm (inch)



Cut-out dimension: 305 mm x 230 mm (12" x 9")

## Ordering Information

- FPM-30CT**  
10.4" TFT LCD, ISA VGA card & 1.8 m cable
- FPM-30CT-T**  
FPM-30CT with resistive touchscreen (RS-232 interface)

## Accessories

- 9689000355** RS-232/485 converter for T/S (USA)
- 9689000356** RS-232/485 converter for T/S (UK)
- 9689000357** RS-232/485 converter for T/S (FR)
- 1700090000** 10 M cable for T/S
- 1700090001** 4.5 M cable for T/S
- 1700090002** 3 M cable for T/S

WebLink  
WebOT 1

IPPC &  
AWS 2

TPC 3

FPM 4

IPC 5

UNO-  
2000 6

ICOM 7

DA&C 8

cPCI 9

ADAM-  
3000 10

ADAM-  
4000 11

ADAM-  
5000 12

ADAM-  
6000 13

ADAM-  
8000 14

Industrial  
Converters 15

VBOX 16

Software 17

Index