

NDSP-500/500WL

Network Digital Signage Player



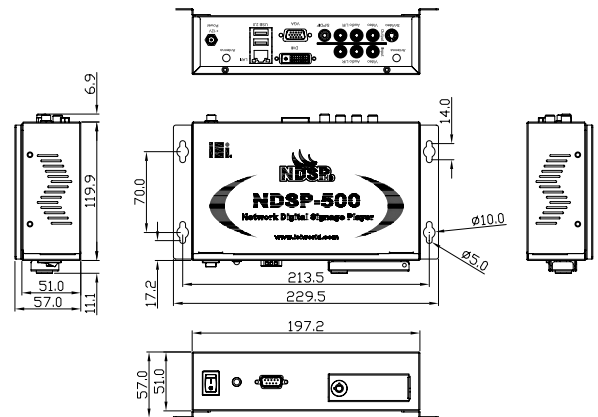
Software Features

- ◆ Multi zone layout supports full spectrum of media formats
- ◆ Flexible schedule management showing customized contents in different time period
- ◆ Network management function to support remote content update
- ◆ The drag and drop interface enables you to assign zones within one display layout in seconds

Hardware Specifications

◆ Video Input	Composite Video with RCA connector
◆ Audio Input	Stereo audio with RCA connector
◆ Video Output	DVI / Analog VGA (RGBHV or YPbPr) S-Video / Composite Video
◆ Audio Output	Stereo audio with RCA connector
◆ Network	NDSP-500: 10/100Mbps NDSP-500WL: 10/100Mbps and 802.11b/g wireless
◆ USB	2 x USB 2.0
◆ Serial Port	1 x RS-232
◆ Storage	1 x CompactFlash socket for type II 1 x internal 2.5" IDE HDD
◆ Power input	12VDC
◆ Power Consumption	8W
◆ Chassis Construction	Heavy duty metal
◆ Operating Temperature	0°C ~50°C
◆ Operating Shock	3G acceleration peak to peak (11ms)
◆ Operating Vibration	MIL-STD-810F 514.5C-1
◆ Weight (Net/ Gross)	1.2Kg / 2.4Kg
◆ Dimensions (DxWxH)	197.2mm x 51mm x 119.9mm

Dimensions (unit : mm)



Packing List

- 1 x QIG
- 1 x power adaptor
- 1 x power cord
- 2 x wall mount bracket
- 1 x iDS Designer software CD
- 1 x AV cable
- 1 x IDE cable
- 2 x key
- 1 x screw set
- 1 x 1GB CompactFlash card

Ordering Information

Part No.	Description
NDSP-500-R10	Network Digital Signage Player, 10/100Mbps Ethernet, 2 x USB 2.0, USB,VGA/S-video/DVI/component output,Silver color,RoHS
NDSP-500WL-R10	Wireless Network Digital Signage Player, 802.11b/g wireless, 10/100Mbps Ethernet, 2 x USB 2.0, USB,VGA/S-video/DVI/component output,Silver color,RoHS
32000-038101-RS	VGA to Component video cable