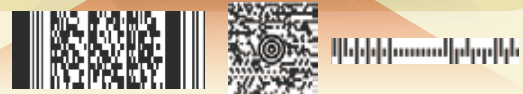


1D/2D Barcode Scanner Panel PC

AFL2D-12A

1D/2D Code Reading

- 12.1" Panel PC with modular 1D/2D barcode scanner allows customers/employees to access item information instantly
- Intel® Atom™ N270 and AMD® LX 800 low power consumption fanless system
- IEI One Key Recovery solution allows you to create rapid OS backup and recovery



1. Modularized 1D/2D Barcode Scanner

- Accurately decodes all 1D and 2D codes, even wrinkled, damaged or poorly printed
- 1.23 mega-pixel CMOS sensor captures high resolution images for decoding
- 50°/37.5° (H/V) large scanning area



2D Barcode

A 2D (two-dimensional) barcode is a graphical image that stores information both horizontally.

- Greater storage than is possible with the 20-character capacity of a unidimensional barcode.
- Faster data access allows for quicker response codes.

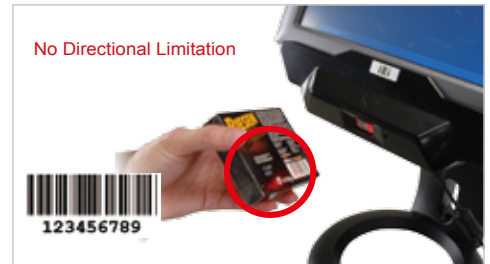


Modularized 1D/2D Barcode Scanner

Technology	1D Code	2D Code
Read Condition	20 to 25 characters	100 to about 2,000 characters

2. Efficient Scanning Performance

- 50°/37.5° (H/V) wide scanning area reads twice the area of typical scanner
- Area-scanning features non-direction reading drive scanning performance
- 25mm-310mm scanning distance

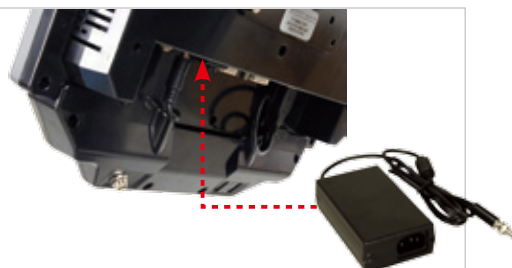


No Directional Limitation

3. Quick Install

Single 12V DC power Input for complete system

Input: 90VAC~264VAC, 50/60Hz
Output: 12VDC



Extra 2 USB ports connect to accessory devices



4. Easy Deployment with VESA Mount

■ Price Checking / Promotion PPC

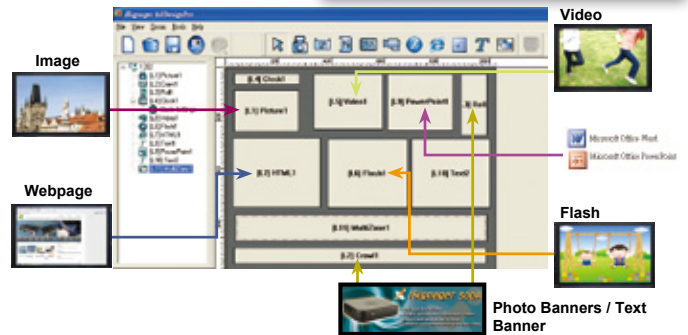
- Check price, obtain product related information
- Easily connects to USB devices, such as thermal printers or card readers
- Customer can access their loyalty card to view accumulated credit and reward programs
- At DVD rental stores, customers can watch movie previews by scanning DVD barcodes
- Play multimedia video to attract the attention of customers and make shopping more interesting



■ X86 based Digital Signager

With IEI content design software, you can easily create multi-zone display contents.

- Multiple media zone display
- Multiple media supports formats such as flash, picture, video, html, text/photo banner, and audio
- Supports multi format content display in one media block
- Content preview function



■ Desktop Stand



■ Wall Mount



■ VESA Standard Multi-mounting Stand



Easily Mount On the Walls with Adjustable Hinge



■ Rear Panel Input/Output

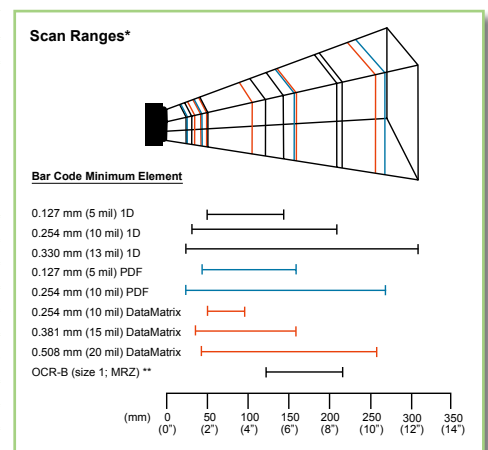


12.1" AFOLUX PPC Specifications

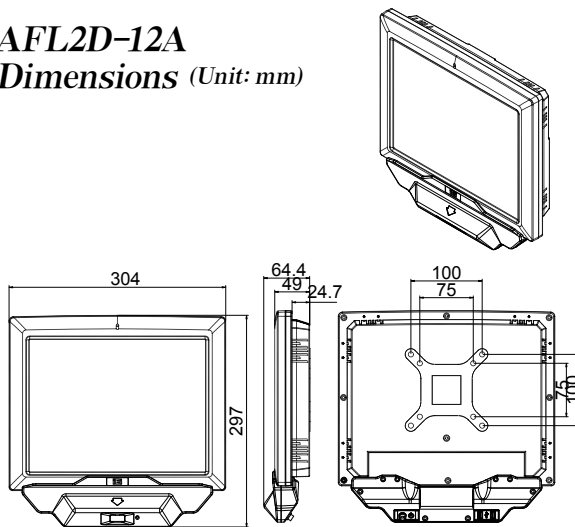
Model	AFL2D-12A-LX AFL-2D-12A-LX24V	AFL2D-12BX-LXPOS	AFL2D-12A-N270
LCD Size	12.1"		
Max. Resolution	1024 x 768	1024 x 768	1024 x 768
Brightness (cd/m ²)	500	500	500
Contrast Ratio	700 : 1	700 : 1	700 : 1
LCD Color	262K		
Pixel Pitch (mm)	0.240(H) x 0.240(V)		
Viewing Angle (H-V)	160° / 160°	160° / 160°	160° / 160°
Backlight MTBF	50000		
SBC Model	AFLMB-LX-800	AFLMB-LXPOS-R10	AFLMB-945GSE-N270-R10
CPU	AMD LX 800 (500MHz)		Intel® Atom™ N270 1.6GHz
Chipset	AMD LX 800 + AMD CS5536		Intel® 945GSE + ICH7M
RAM	Supports one 333MHz or 400MHz DDR SO-DIMM (1GB max.)		Supports one 400MHz or 533MHz DDR2 SO-DIMM (2GB max.)
I/O Ports	1 x RS-232 COM port 1 x RS-232/422/485 COM port 2 x RJ-45 for 10/100Mbps LAN 3 x USB 2.0 1 x Power switch 1 x Reset button 1 x Power jack 1 x Audio port	2 x RS-232 COM port (pin 9 with RI, 5V or 12V switch selectable) 1 x RJ-45 for 10/100Mbps LAN 3 x USB 2.0 1 x Power switch 1 x Reset button 1 x RJ-12(12VDC) for cash drawer 1 x Power jack	1 x RS-232 COM port 1 x RS-232/422/485 COM port 2 x RJ-45 for Gigabit LAN 5 x USB 2.0 1 x Power switch 1 x Reset button 1 x External SATA 1 x Audio port 1 x Power jack
SSD	CF Type II		
Watchdog Timer	Software programmable supports 1~255 sec. system reset		
Audio	AMP 1.5W + 1.5W (Internal speakers)		
Expansion	1 x Wireless LAN 802.11 b/g module (internal Mini PCI interface)	1 x Wireless LAN 802.11 b/g module (internal Mini PCI interface)	1 x Wireless LAN 802.11 b/g/n module (internal PCIe Mini card interface)
Drive Bay	1 x 2.5" IDE HDD bay	1 x 2.5" IDE HDD bay	1 x 2.5" SATA HDD bay
Construction Front Panel	ABS + PC plastic front frame		
LED Function	1 x LED on front panel for power on/off	1 x LED on front panel for power on/off 2 x LED on rear cover for COM port 12V : RED / 5V : YELLOW / RI : GREEN	1 x LED on front panel for power on/off
Mounting	Panel, wall, rack, stand and arm (VESA 75mm x 75mm / 100mm x 100mm)		
Front Panel Color	Gray 7539U		
Dimensions (WxHxD) (mm)	304 x 246 x 50	304 x 246 x 56	304 x 246 x 50
Operation Temperature (°C)	0°C ~ 40°C	0°C ~ 40°C	0°C ~ 40°C
Storage Temperature (°C)	-20°C ~ 60°C		
N/G Weight	1.8 Kg		
IP Level	Front Frame IP64		
Safety & EMC	CE / FCC / CB / CCC		
Touch Screen	Resistive type 5-wire (touch controller IC is on board) or capacitive type touch screen without HDD bay		
Power Adapter	P/N: 63000-FSP036RAB608-RS 36W power adapter Input: 90VAC~264VAC, 50/60Hz Output: 12VDC	P/N: 63000-FSP050DBAB1405-RS 50W power adapter Input: 90VAC~264VAC, 50/60Hz Output: 12VDC	P/N: 63000-FSP050DBAB1405-RS 50W power adapter Input: 90VAC~264VAC, 50/60Hz Output: 12VDC
Power Requirement	12VDC/18~30VDC		12VDC
Power Consumption	29W	29W	32W

Scanner Module Specifications

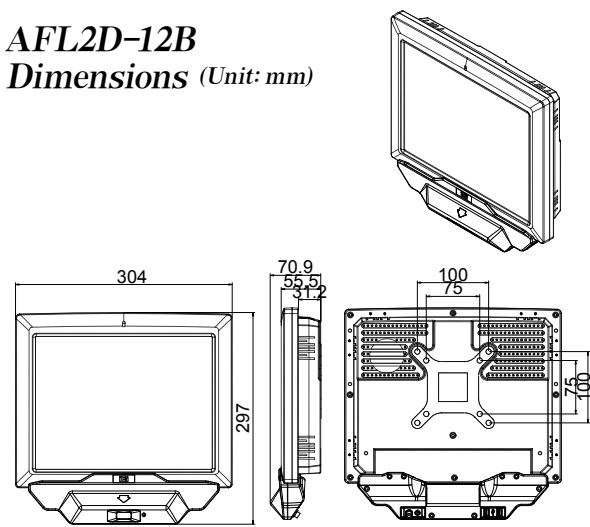
Model Name	AFL2D-12
Image sensor	CMOS, 1.3 megapixel
Decode Capability	1D: Code 39, Code 93, Code 128, UPC/EAN/JAN, Code 2 of 5, Code 11, Codabar, MSI Plessey, GS1 DataBar, Telepen, Trioptic PDF: PDF417, MicroPDF417 2D: QR Code, Micro QR Code, Data Matrix, Aztec Code, Maxicode, Codablock, Composite Code, POSTNET, PLANET, UPU, Intelligent Mail, Canada Post, Australia Post, Japanese Post, Royal Mail RM4SCC, KIX Code *OCR: OCR-A, OCR-B, E-13B MICR *Note: Enable by purchasing decoding license
Barcode Scanner	
Depth of Field*	25 mm – 310 mm, (1 - 12.2") for 100% UPC
Minimum Element Width, 1D*	0.102 mm (4 mil)
Minimum Element Width, 2D*	0.191 mm (7.5 mil), Data Matrix
Resolution	1280 x 960 pixels
Print Contrast	20% minimum reflectance difference
Scan Pattern	Area
Focal Point	100 mm (3.94") from the imager face
View Angles	50°(horizontal), 37.5°(vertical)
I/O Ports and Switches	2 x USB ports, 1 x Power jack
Construction Material	ABS + PC plastic
Dimensions (WxHxD) (mm)	267.5 x 71.5 x 48.5
Operation Temperature (°C)	0°C ~ 40°C
Storage Temperature (°C)	-20°C ~ 70°C
Net Weight	0.2 Kg



AFL2D-12A
Dimensions (Unit: mm)



AFL2D-12B
Dimensions (Unit: mm)



Ordering Information

Number	Description
AFL2D-12A-LX/R/256-R22	12.1" 500 cd/m ² , XGA fanless panel PC with AMD LX 800 CPU, AT/ATX mode, 802.11b/g wireless module, Bluetooth V2.0+EDR, touch screen and 256MB DDR RAM, 2D barcode scanner, R22
AFL2D-12A-LX/R/512-R22	12.1" 500 cd/m ² , XGA fanless panel PC with AMD LX 800 CPU, AT/ATX mode, 802.11b/g wireless module, Bluetooth V2.0+EDR, touch screen and 512MB DDR RAM, 2D barcode scanner, R22
AFL2D-12BX-LXPOS/R/256-R21	12.1" 500 cd/m ² XGA fanless panel PC with AMD Geode™ LX 800 CPU, 256MB DDR RAM, 802.11 b/g wireless module and touch screen, without stand, 2D barcode scanner, R21
AFL2D-12A-N270/R/1G-R23	12.1" 500 cd/m ² , XGA fanless panel PC with Intel® Atom™ N270 1.6GHz, 802.11b/g/n wireless module, Bluetooth V2.0+EDR, touch screen, 1GB DDR2 533, 2D barcode scanner, R23

Packing List

Item	Part Number	Q'ty	Specifications
Screws Pack	44013-030041-RS	4	M3; 5mm
Power Adpater	63000-FSP036RAB608-RS	1	90~264V AC; 12V DC; 36W (for LX)
	63000-FSP050DBAB1405-RS		90~264V AC; 12V DC; 50W (for LXPOS, N270)
Power Cord	32000-000002-RS	1	1750mm; European Standard
Utilities CD	7B000-000087-RS	1	
Touch Pen	43125-0002C0-RS	1	
1D/2D Barcode Scanner	AFL2D-12B-R10	1	
One Key Recovery CD		1	

Note: AFL-LX24V model is without power adapter

Options

Model	AFL-12A-LX	AFL-12B- LXPOS	AFL-12A-N270
Panel Mounting Kit		AFLPK-12	
Wall Mounting Kit		AFLWK-12	
Rack Mounting Kit		AFLRK-12	
Arm		ARM-11-RS / ARM-31-RS	
Stand		STAND-A12 / STAND-POS12 / STAND-100-RS	
V-Stand		VSTAND-A12	
9~30VDC to 12VDC Converter Module		IDD-930160-KIT	
OS: Win CE 5.0 (128 MB CF Card)	AFLCF-12-LX-CE-R21	AFLCF-12-LXPOS-CE-R21	N/A
OS: Win CE 6.0 (128 MB CF Card)	AFLCF-12-LX-CE060-R21	AFLCF-12-LXPOS-CE060-R21	AFLCF-12-N270-CE060-R21
OS: Win XPE (1 GB CF Card)	AFLCF-12-LX-XPE-R21	AFLCF-12-LXPOS-XPE-R21	AFLCF-12-N270-XPE-R21
OS: Linux (2 GB CF Card)	AFLCF-12-LX-LNX-R21	AFLCF-12-LXPOS-LNX-R21	AFLCF-12-N270-LNX-R21
OS: Win 7 Embedded (2GB CF Card)	N/A	N/A	AFLCF-12-N270-WESTE-R10
Hybrid Card Reader		AFLP-12AMSI-U	
Magnetic Stripe Reader		AFLP-12AMSR-U	
DC 12V Input UPS		AUPS-A10-R10 (7.4V 3800mAH)	
DC 9~36V Input UPS		AUPS-A20-R10 (7.4V 3800mAH)	
Bluetooth V2.0+EDR	AFL-BT-KIT02-R10	N/A	AFL-BT-KIT03-R10