

AFL2-W21A-H61 **New**

Intel® Core™ i7/i5/i3 and Pentium® Processor

IEI designed a completely new model for its new AFOLUX GEN II Panel PCs. AFL2-W21A-H61 with exclusive LED light bar function combining

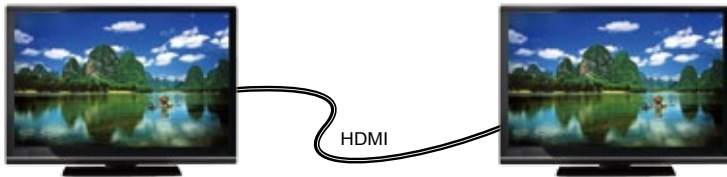
Features

- Two 204-pin DDR3 SO-DIMM slot (system max. 16GB) pre-installed with 4GB (2GB x 2)
- Projected capacitive touchscreen supported
- Wi-Fi 802.11b/g/n 2T2R high speed wireless
- EM or Mifare RFID reader
- Programmable colorful LED light bar
- Built-in two 3W speakers and microphone
- Auto dimming control
- Light fanless design
- Wide range 9~36 VDC input



Full HD Second Display Through HDMI Interface

Full-HD 1080p (1920x1080) reacts the resolution of panel, which is a set of high-definition video modes with 1920 of horizontal resolution and 1080 of vertical resolution. Widescreen aspect ratio of 16:9 supports perfect display sight, with brighter digital display.



1920 lines of horizontal resolution supporting a 16:9 ratio to perform perfect display sight.

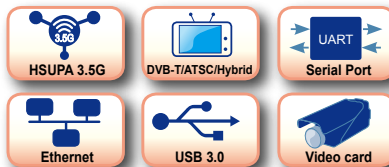
IEI Customized Expansion

Standard Connector Type Easy to Design Expansion Module

The AFL2-W21A-H61 can customize the expansion board depending on user's necessary. Customer can choose digital TV, 3G, video capturing...and so on.

Features

- Reliable board to board connection
- IEI provides ODM service which customize boards of user's demand.



Use one system in different markets!

Digital TV



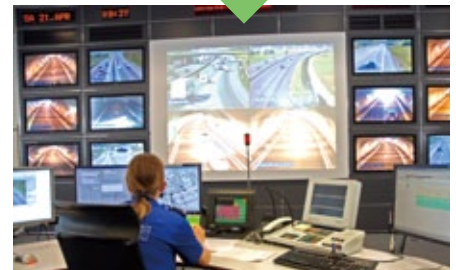
Kiosk System

3G/3.75G



Mobile Broadcasting System

4-Port Video Capture



Surveillance System

1

IEI Mobile Solutions

2

Automation Panel Solutions

3

PACsmate Medical Solutions

4

Optional Peripherals

Specifications

Model		AFL2-W21A-H61			
LCD Specifications	LCD Display	W21.5" (16:9)			
	Max Resolution	1920 (W) x 1080 (H)			
	Brightness (cd/m2)	250			
	Contrast Ratio	1000 : 1			
	LCD Color	16.7M			
	Pixel Pitch (mm)	0.24825 mm x 0.24825 mm			
	Viewing Angle (H-V)	170° / 160°			
Touch	Backlight MTBF (Hrs)	30000 (LED backlight)			
	Touch Screen	projected capacitive type with USB interface			
System	Touch Controller	EETI EXC7200 & EXC5404			
	CPU	Intel® Core™ i7/i5/i3 and Pentium® processors			
	Chipset	Intel® H61			
	RAM	Support two 204-pin DDR3 SO-DIMM slot (max. 16GB) preinstalled with 4GB (2GB x 2)			
	Storage	1 x 2.5" SATA 3Gb/s HDD Bay			
	Optical Drive	1 x Slim Type DVD-ROM bay			
	Ethernet	Realtek RTL8111E PCIe GbE controller supporting ASF 2.0			
	Audio Codec	Realtek ALC892 HD Audio codec			
	Audio	Amplifier 3W + 3W			
	Webcam & Microphone	2-megapixel camera with low light function Digital Microphone			
	I/O Ports		2 x RS232 (DB9 Connector) 1 x RS422/485 COM Port (DB9 connector) 2 x GbE LAN (RJ-45 connector) 3 x USB 2.0 2 x USB 3.0 1 x HDMI 1 x VGA port (DB-15 Connector) 1 x Power switch 1 x Reset button 1 x AT/ATX switch 1 x Clear CMOS button 1 x Type K 1 x 9~36V DC jack 1 x Line out 1 x Mic		
		Expansion Interface	1 x PCIe Mini for Wi-Fi Module 1 x PCIe Mini reserved		
		Cooling System	Light Fanless		
		Other Features	EM and Mifare RFID	Optional: EM 125 KHz or Mifare 13.56 MHz card reader	
			LED Light Bar	Programmable R/G/B colorful LED light bar (SMBus Control)	
			Function Key	6 x function keys: Key1 Backlight On/Off Key2 Audio - Key3 Audio + Key4 Brightness - Key5 Brightness+ Key6 Fn Combinations: Fn+Key1 RFID Enable/Disable Fn+Key2 Audio Mute Fn+Key3 Camera Enable/Disable Fn+Key5 Power ON/OFF	
			Infrared	IR receiver 38KHz	
			Light Sensor	Ambient light sensor for panel brightness adjustment	
			TPM	Reserved by pin-header	
			OS Support	OS Support Windows Embedded Standard 7 Windows XP Embedded, Debian 6.0 Backports	
Connectivity	Wireless		IEEE 802.11b/g/n 2T2R module (WIFI-RT5392-SB-R10)		
	Bluetooth		Bluetooth V2.0+EDR with USB interface (optional)		
Physical	Construction Material		PC + ABS plastic for front cover and rear cover		
	Mounting	Wall, Stand and VESA 100 mm x 100mm			
	Enclosure Color	Silver + Black			
	Dimension (mm)	546.85 (W) x 345.82 (H) x 70.35 (D)			
Environment	Weight (Net/Gross)	8.27 Kg / 11.27 Kg			
	Operating Temperature (with air flow)	-10°C ~ 50°C			
	Storage Temperature	-20°C ~ 60°C			
	Humidity	10% to 90% (non-condensing)			
Power	IP Level	IP 64 compliant front panel			
	Safety and EMC	CE & FCC			
	Power Adapter	120W power adapter Input: 100 V AC ~ 240 V AC, 50 / 60Hz, Output: 19 V DC			
	Power Input	9 ~ 36V DC-IN			
Power Consumption	19V@3.82A (Intel® Core™ i3-2120T processor with 4GB DDR3 memory)				

1

IEIMobile Solutions

2

Automation Panel Solutions

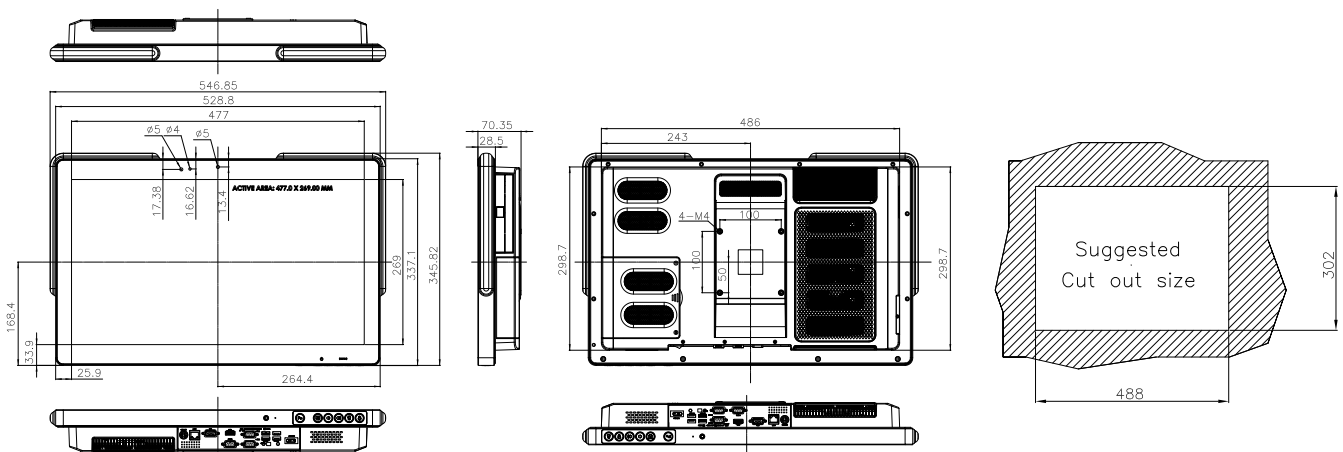
3

PACSmate Medical Solutions

4

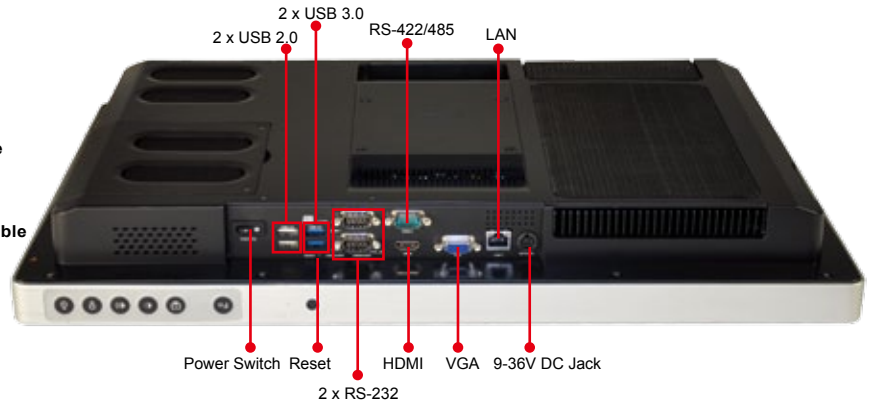
Optional Peripherals

AFL2-W21A-H61
Dimensions (Unit: mm)



Rich I/O Interface

- Fn
- Backlight On/Off
- Audio -
- Audio +
- Brightness -
- Brightness +
- (Fn) + RFID Enable/Disable
- (Fn) + Audio Mute
- (Fn) + Camera Enable/Disable
- (Fn) + Power On / Off



Options

Item	AFL2-W21A-H61
Panel Mount Kit	AFL2PK-W21A
Wall Mounting Kit	AFLWK-19BB
Stand	STAND-A21-R10-R10
ARM	ARM-31-RS
Slim DVD Burner Installation Kit (Including SATA Cable)	AFL2-DVD-KIT01-R10
Hybrid Card Reader (MSI only for AFL2-W21AB series)	AFL2P-21AMSI-U-R10
Magnetic Stripe Reader	AFL2P-21AMSR-U-R10
Bluetooth Module Kit	AFL2-BT-KIT01-R11
Trusted Platform Module (TPM)	TPM-IN01-R11
EM RFID Reader	AFL2-EM-RFID-KIT03-R10
Mifare RFID Reader	AFL2-MF-RFID-KIT04-R10
OS: Windows® XP Embedded (CD-ROM)	AFL2-W21-H61-XPE-R10
OS: Debian Linux (CD-ROM)	AFL2-W21-H61-LNX-R10
OS: Windows® Embedded Standard 7 (DVD-ROM)	AFL2-W21-H61-WES7P-R10
Temperature Sensor Cable	32133-004300-100-RS

Packing List

Item	P/N	Q'ty	Description
Utility CD	7B000-000952-RS	1	drivers and user manual
One Key Recovery CD	7B000-000781-RS	1	
Power Adapter	63000-FSP120AAB-RS	1	FSP120-AAB ; 90~264VAC input ; 120W ; 19VAC output
Power Cord	32702-000401-100-RS	1	European, 1500mm
Power Transfer Cord	32000-089400-RS	1	
Infrared Remote Controller	7Z000-SLPCB005-RS	1	
M3 Screw Pack	44013-030041-RS	4	M3 x 4 for securing HDD
M4 Screw Pack	44033-040061-RS	4	M4 x 4 for VESA screw

Ordering Information

LED Bar	Model	Description
LED Bar	AFL2-W21A-H61-I5/PC-R10	21.5" 250cd/m ² FHD panel PC, Core i5 Dual Core 2xxxT CPU (Above 2.7GHz), TDP 35W, 2GB DDR3 (2GB x 2), 802.11b/g/n wireless module, projected capacitive touchscreen, 2M camera, microphone, R10
	AFL2-W21A-H61-I3/PC-R10	21.5" 250cd/m ² FHD panel PC, Core i3 Dual Core 2xxxT CPU (Above 2.5GHz), TDP 35W, 2GB DDR3 (2GB x 2), 802.11b/g/n wireless module, projected capacitive touchscreen, 2M camera, microphone, R10
	AFL2-W21A-H61-P/PC-R10	21.5" 250cd/m ² FHD panel PC, Pentium Dual Core G6xxT CPU (Above 2.2GHz), TDP 35W, 2GB DDR3 (2GB x 2), 802.11b/g/n wireless module, projected capacitive touchscreen, 2M camera, microphone, R10
Without LED Bar	AFL2-W21AB-H61-I5/PC-R10	21.5" 250cd/m ² FHD panel PC, Core i5 Dual Core 2xxxT CPU (Above 2.7GHz), TDP 35W, 2GB DDR3 (2GB x 2), 802.11b/g/n wireless module, projected capacitive touchscreen, 2M camera, microphone, without LED bar, R10
	AFL2-W21AB-H61-I3/PC-R10	21.5" 250cd/m ² FHD panel PC, Core i3 Dual Core 2xxxT CPU (Above 2.5GHz), TDP 35W, 2GB DDR3 (2GB x 2), 802.11b/g/n wireless module, projected capacitive touchscreen, 2M camera, microphone, without LED bar, R10
	AFL2-W21AB-H61-P/PC-R10	21.5" 250cd/m ² FHD panel PC, Pentium Dual Core G6xxT CPU (Above 2.2GHz), TDP 35W, 2GB DDR3 (2GB x 2), 802.11b/g/n wireless module, projected capacitive touchscreen, 2M camera, microphone, without LED bar, R10

1
IEI Mobile Solutions

2
Automation Panel Solutions

3
PACsmate Medical Solutions

4
Optional Peripherals