

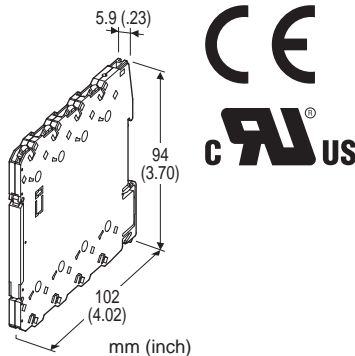
## Tension-Clamp Ultra-Slim Signal Conditioners M6S Series

### POTENTIOMETER TRANSMITTER

(PC programmable)

#### Functions & Features

- Maintenance-free tension clamp connection
- 5.9-mm wide ultra-slim design
- Low profile allows the M6S module mounted in a 120-mm deep panel
- Provides a DC output proportional to a potentiometer or slidewire position input
- Linearization and burnout protection
- PC programmable
- High-density mounting
- Power indicator LED
- UL approval



### MODEL: M6SXM-1[1]-R[2]

#### ORDERING INFORMATION

- Code number: M6SXM-1[1]-R[2]
- Specify a code from below for each [1] and [2]. (e.g. M6SXM-1Z1-R/UL)
- Potentiometer range (total resistance) (e.g. 0 - 1000  $\Omega$ )
- Output range (e.g. 4 - 20 mA DC)

#### INPUT

1: Total resistance 100 - 5000  $\Omega$   
(Configurator software is used to change the input range.)

#### [1] OUTPUT

##### Current

Z1: Range 0 - 20 mA DC

##### Voltage

V2: Range -10 - +10 V DC

V3: Range -5 - +5 V DC

(Configurator software is used to change output over the

described range of the selected suffix code.

For changing between suffix codes, set the Output Range Selector on the side of unit before software adjustment.)

#### POWER INPUT

##### DC Power

R: 24 V DC

(Operational voltage range 24 V  $\pm$ 10 %, ripple 10 %p-p max.)

#### [2] OPTIONS

##### STANDARDS & APPROVALS

blank: CE marking

/UL: UL approval (CE marking)

#### RELATED PRODUCTS

- PC configurator software (model: M6CFG)

Downloadable at M-System's web site.

A dedicated cable is required to connect the module to the PC. Please refer to the internet software download site or the users manual for the PC configurator for applicable cable types.

#### GENERAL SPECIFICATIONS

##### Connection

**Input and output:** Tension clamp

**Power input:** Via the Installation Base (model: M6SBS) or Tension clamp

**Applicable wire size:** 0.2 to 2.5 mm<sup>2</sup>, stripped length 8 mm

**Housing material:** Flame-resistant resin (black)

**Isolation:** Input to output to power

**Overrange output:** -2 - +102 %

(Negative current output is not available.)

**Zero adjustment:** -2 to +2% (PC programming)

**Span adjustment:** 98 to 102% (PC programming)

**Burnout:** Upscale standard; downscale or no burnout optional by programming

**Power LED:** Green light turns on when the power is supplied.

**Status indicator LED:** Orange LED; Flashing patterns indicate different operating status of the transmitter.

**Programming:** Downloaded from PC; input type (range), output type and range, zero and span, burnout type, user's linearization table, etc.

For detailed information, refer to the users manual for the PC configurator.

**Configurator connection:** 2.5 dia. miniature jack; RS-232C level

#### INPUT SPECIFICATIONS

**Sensing current:**  $\leq$  0.15 mA

**Minimum span of each range**

0 - 100 Ω : 10 Ω  
 0 - 300 Ω : 30 Ω  
 0 - 600 Ω : 60 Ω  
 0 - 1200 Ω : 120 Ω  
 0 - 2500 Ω : 250 Ω  
 0 - 5000 Ω : 500 Ω

If not specified, the input range is 0 - 1200 Ω.

0 - 600 Ω : ±0.03 %  
 0 - 1200 Ω : ±0.03 %  
 0 - 2500 Ω : ±0.01 %  
 0 - 5000 Ω : ±0.01 %

- **Output accuracy:** ±0.04 % of max. output range

**Temp. coefficient:** ±0.01 %/°C (±0.006 %/°F) of max. span  
**Response time:** ≤ 1 sec. (0 - 90 %)  
**Burnout response:** ≤ 10 sec.  
**Line voltage effect:** ±0.1 % over voltage range  
**Insulation resistance:** ≥ 100 MΩ with 500 V DC  
**Dielectric strength:** 2000 V AC @1 minute (input to output to power to ground)

## OUTPUT SPECIFICATIONS

### • DC CURRENT

**Output range:** 0 - 20 mA DC

**Conformance range:** 0 - 20.4 mA DC

**Minimum span:** 1 mA

**Offset:** Lower range can be any specific value within the output range provided that the minimum span is maintained.

**Load resistance:** Output drive 11 V max.

(e.g. 4 - 20 mA: 550 Ω [11 V/20 mA])

If not specified, the output range is 4 - 20 mA DC.

### • DC VOLTAGE

**Code V2 (wide spans)**

**Output range:** -10 - +10 V DC

**Conformance range:** -10.4 - +10.4 V DC

**Minimum span:** 1 V

**Code V3 (narrow spans)**

**Output range:** -5 - +5 V DC

**Conformance range:** -5.2 - +5.2 V DC

**Minimum span:** 0.5 V

**Offset:** Lower range can be any specific value within the output range provided that the minimum span is maintained.

**Load resistance:** Output drive 1 mA max.

(e.g. 1 - 5 V: 5000 Ω [5 V/1 mA])

If not specified, the output range is shown below.

V2: 0 - 10 V DC

V3: 1 - 5 V DC

## CALCULATION EXAMPLES OF OVERALL ACCURACY

[Example] Total Resistance 0 - 1200 Ω, Input Range 250-750 Ω, Output Type -5 - +5 V, Output Range 1 - 5 V  
 Max. Input Range (1200 Ω) / Span (500 Ω) × 0.01 %  
 + Max. Output Range (10 V) / Span (4 V) × 0.04 %  
 = 0.18 %

## STANDARDS & APPROVALS

### CE conformity:

EMC Directive (2004/108/EC)

EN 61000-6-4 (EMI)

EN 61000-6-2 (EMS)

### Approval:

UL/C-UL nonincendive Class I, Division 2,  
 Groups A, B, C, and D hazardous locations  
 (ANSI/ISA-12.12.01, CAN/CSA-C22.2 No.213)  
 UL/C-UL general safety requirements  
 (UL 61010-1, CAN/CSA-C22.2 No.61010-1)

## INSTALLATION

**Power consumption:** Approx. 0.5 W

**Operating temperature:** -20 to +55°C (-4 to +131°F)

**Operating humidity:** 30 to 90 %RH (non-condensing)

**Mounting:** Installation Base (model: M6SBS) or DIN rail

**Weight:** 65 g (2.3 oz)

## PERFORMANCE in percentage of span

**Overall accuracy:** Input accuracy + output accuracy

Inversely proportional to the span.

See CALCULATION EXAMPLES OF OVERALL ACURACY.

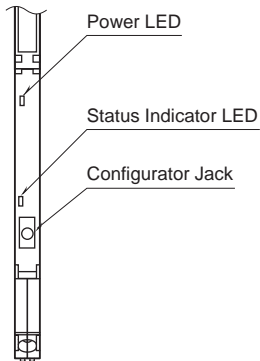
- **Input accuracy:** (% of range)

0 - 100 Ω : ±0.05 %

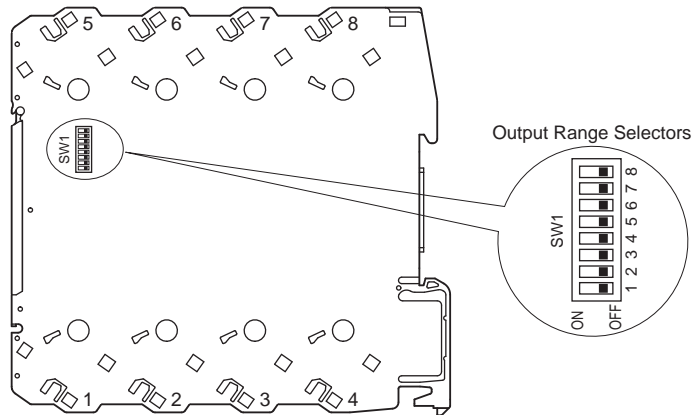
0 - 300 Ω : ±0.05 %

## EXTERNAL VIEW

■ FRONT VIEW (with the cover open)

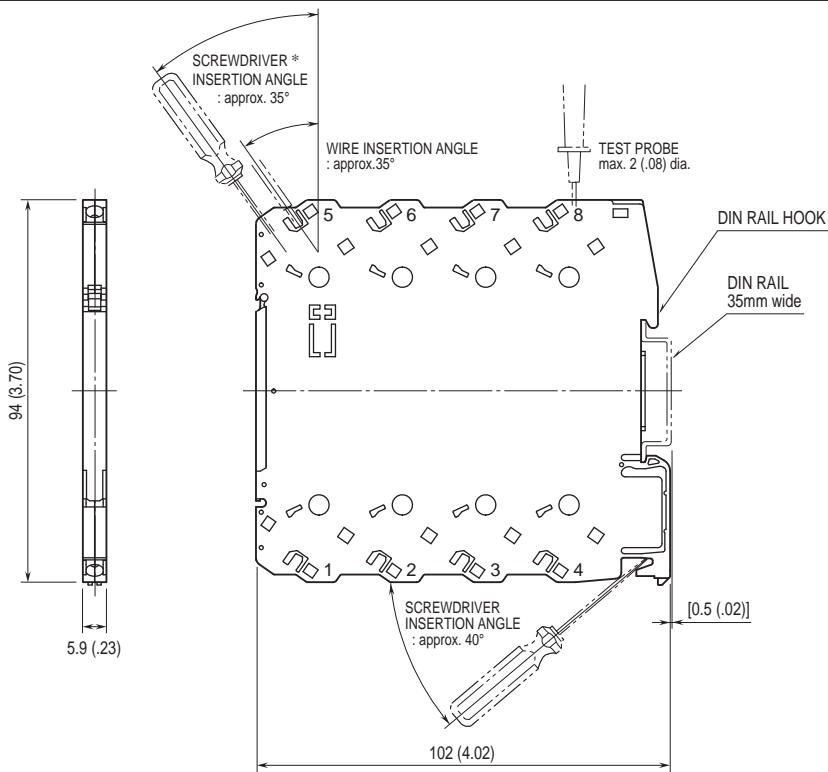


■ SIDE VIEW



The DIP switch setting is required to select output types before setting a precise output range using PC Configurator Software (model: M6CFG). Refer to the instruction manual for detailed procedures.

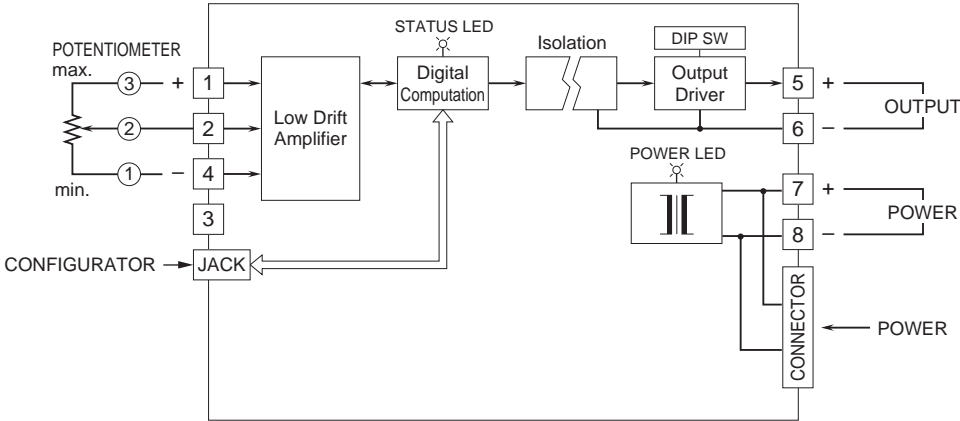
## DIMENSIONS unit: mm (inch)



• When mounting, no extra space is needed between units.

\*Use a minus screwdriver: tip width 3.8 mm max., tip thickness 0.5 to 0.6 mm

**SCHEMATIC CIRCUITRY & CONNECTION DIAGRAM**



Specifications are subject to change without notice.