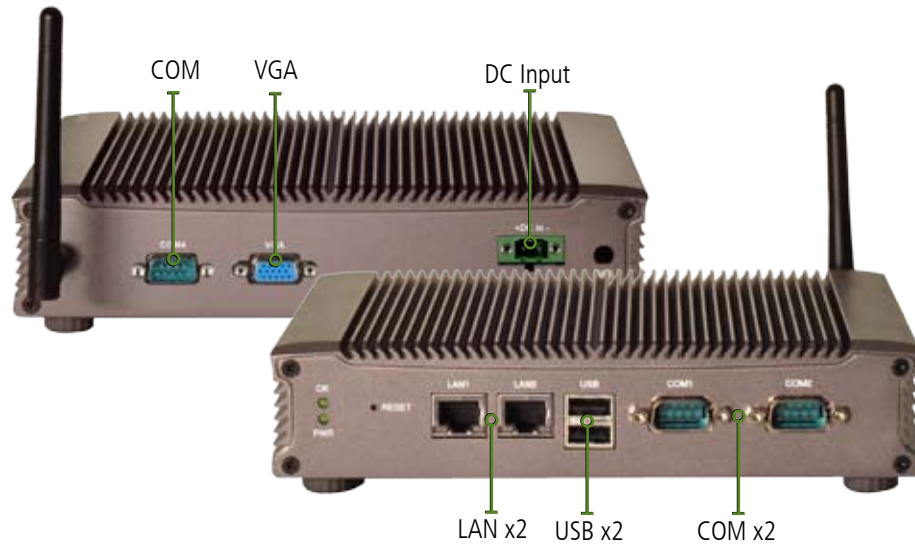


LEC-2055

Small Form Factor Computer with Intel® Atom™ N270



Features

Integrated SIM card reader

Integrated in a mini-PCIe slot, the SIM card readers allow for users to enable 3G use for their IPC.

Intel® Atom™ N270

Single core Intel Atom N270 features 1.6GHz clock speed and a 512KB cache. It utilizes 2.5W of power.

Wide voltage input range

This product supports a wider range of voltage inputs, allows for easier onsite implementation by lessening the need for an external power supply.

Fanless

This IPC's lifespan has been extended by removing the most easily damaged component, the fan.

Multiple display ports

This platform comes with multiple video-out ports to allow easy integration with any signage set-up.

Dust proof design

Solid chassis design with a fanless interior allows for this product to be completely dustproof when installed correctly, insuring longevity of the product.

Screw-locked power plug

This power plug is made to screw directly into the appliance chassis, allowing secure power connection in even the harshest of settings.

Extreme operating temperature

This product is ruggedized to support a wider than usual range of temperatures. Outfitted with industrial components (HDD/SSD, CF, Memory) this appliance can thrive in harsh conditions.

Mini-PCI expansion slot

This product features a Mini-PCI slot to allow customers to customize this appliance to different applications.

Terminal block connections

This product features serial ports utilize terminal blocks for its I/O ports. Terminal blocks can receive a multitude a different kind of wiring making these ports adaptable for different environments.

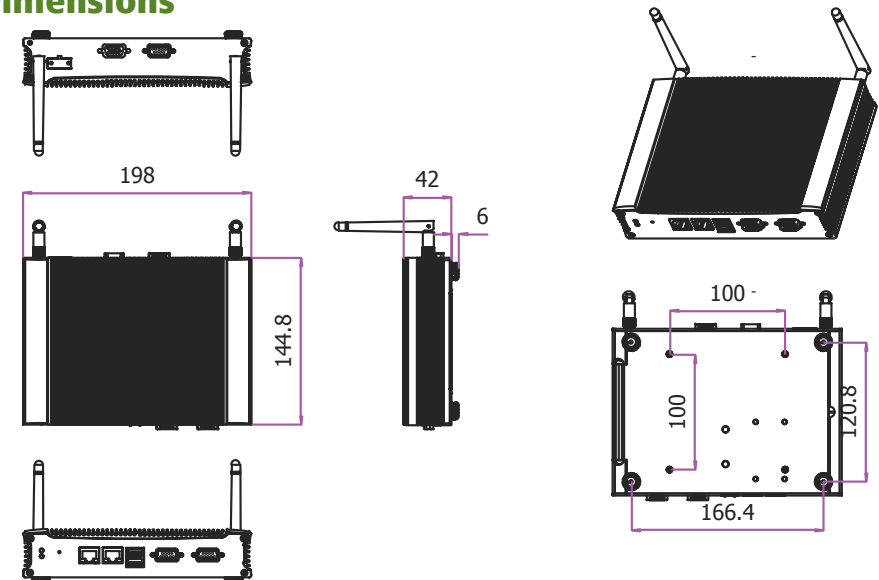
Remote power control

In addition to the power-on button there is a terminal block connector to connect a wired remote power controller. This allows unit's power to be controlled from a distance.

Cable-free Interior

The interior of this product contains no wires, making this industrial product as rugged as possible.

Dimensions



Specifications

Dimensions (WxHxD)		198x42x145mm (7.80"x1.65"x5.71")
Processor		Intel Atom N270 (1.6GHz)
Chipset		Intel 945GSE + ICH7M
System Memory	Technology	DDR2 SO-DIMM x1
	Max. Capacity	Up to 2GB
Storage	IDE	CF socket Type I/II x1
	SATA	2.5" SSD/HDD drive bay x1
Ethernet Controller		Realtek RTL8111 x2
Graphic Controller		Intel Graphics Media Accelerator 950
Audio Controller		No
IO	LAN	GbE RJ45 x2
	Display	DB15 x1 for VGA
	Video Grabber	No
	Audio	No
	Serial I/O	DB9 x3 for RS232 x1 and RS232/422/485 x2
	GPS	No
	Digital I/O	Internal Pin-header for GPIO x4
	USB 2.0	Type A x2 Internal x2
	Power Input	2-pin terminal block
	Expansion	Mini-PCIe x1 with SIM card reader
	Others	External: SMA Antenna Hole x2, reset Internal: PS/2 Keyboard & Mouse, +5Vdc output
Power Input		+12~32Vdc ATX Mode
AC Adapter		60W +24V @ 2.5A
Hardware Monitor		Fintek F81865 integrated watchdog timer 1~255 level
OS Support		Linux, XPE/WES2009, XP Pro FES, WS7E, WS7P, Win 7 Pro FES
Certifications		CE, FCC Class A
Compliance		No
Operating Temperature Range	With Industrial Components	-10~55°C / 14~131°F
	With Commercial Components	-5~45°C / 23~113°F

Ordering Information

LEC-2055	Intel Atom N270 1.6GHz CPU w/ 5 COM, VGA Display, Dual GbE, +12~32V DC
----------	--

Standard Accessories

080W141503001	SATA Power Cable
080W170703006	SATA Cable 30cm
0P0W060240A01	60W 24V/2.5A, Terminal Block
SE9ESA8740100	Wall Mount

Optional Power Cords

080W240318306	US Power Cord
080W240318305	Schuko (EU) Power Cord
080W240318301	UK Power Cord
080W240318307	China Power Cord
080W240318309	Japan Power Cord

Optional Mounting Brackets

WALL Mount	SE9ESA900R100
VESA Mount	PE9ESA8300100
RACK Mount	PE9ESA8310100
DIN Rail Mount	090W405000001
DIN Rail Mount	S090AL7460010

Optional Accessories

0TAWQ802XKZ02	Wi-Fi Module: 802.11 b/g/n Mini-PCIe card
---------------	---