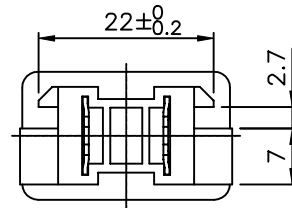
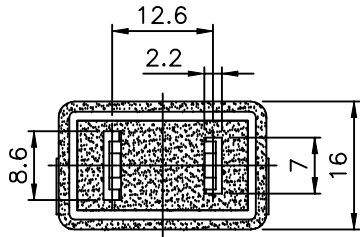
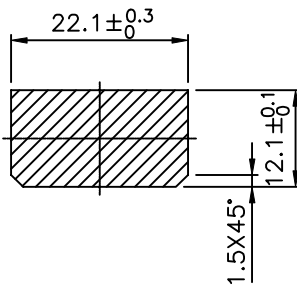
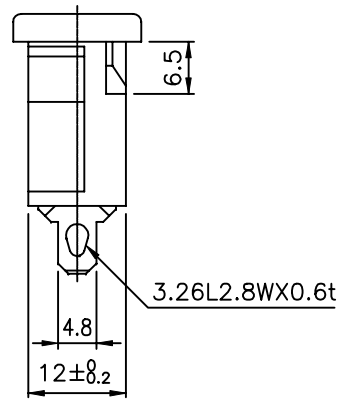
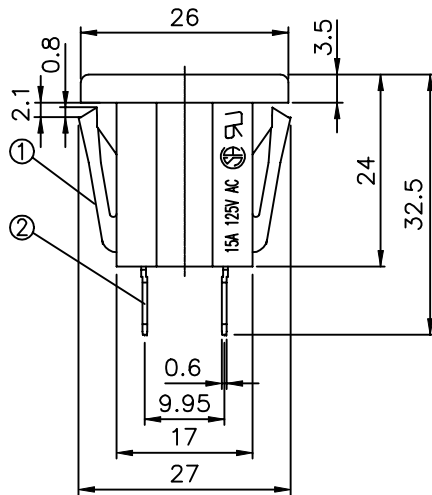


Revision			
Rev.	Description	Date	Approved



10A/15A 250V AC
 APPROVAL UL E139605
 CSA



PANEL CUTOUT

Panel Thickness Range: 0.8mm~2.0mm

2	Soldering PIN(t)=0.6mm Tin-Plated	2		
1	Body Insulator PC940A Black Color	1		
Dim range (mm)	Tolerance +/- (mm)	Qualtek Electronics Corp. PPC DIVISION		
		Part Number: 738W-CX2/01		
0-10	0.3	Description: SNAP-IN NEMA 1-15R		
10-100	0.5	Rev A		
100-150	0.8			
150-250	1	Drawn/Date	Checked/Date	Approved/Date
		B.ZHANG 07-28-04	RF/07-28-04	JJH/07-28-04