

REV. Status

ISSUE 1
6/12/94 TS

ISSUE 2
UPDATED FORMAT
REV NOTE 2
WAS 500 VDC
12/2/94 TS

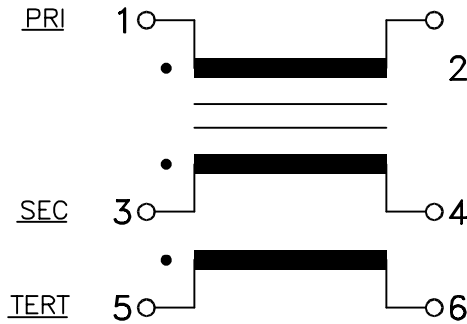
A. Electrical specification (@ 25°C)

1. Power rating;
500 mW
2. Dielectric strength;
500 VAC 1 minute
3. Insulation resistance;
10,000 MΩ MIN @ 500 VDC
4. Turns ratio;
(1-2) : (3-4) : (5-6) = 1 : 1 : 1 ±5%
5. Primary open circuit inductance;
2000 μH MIN @ 1 KHz, 40 mV (1-2)
6. Primary ET-constant
16.0V- μs MIN
7. Rise time;
8.2 ns MAX
8. Interwinding capacitance between primary and secondary;
37.0 PF MAX @ 100 KHz
9. Primary leakage inductance with shorted secondary;
0.8 μH MAX @ 100 KHz
10. DC Resistance;
Primary (1-2) 2.5 Ω MAX
Secondary (3-4) 2.5 Ω MAX
Tertiary (5-6) 2.5 Ω MAX

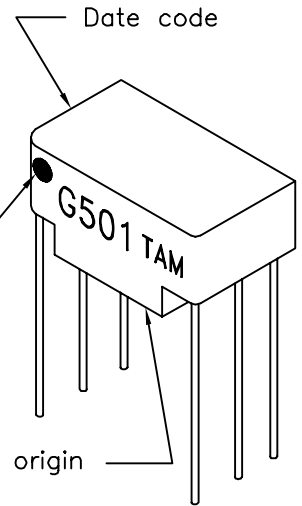
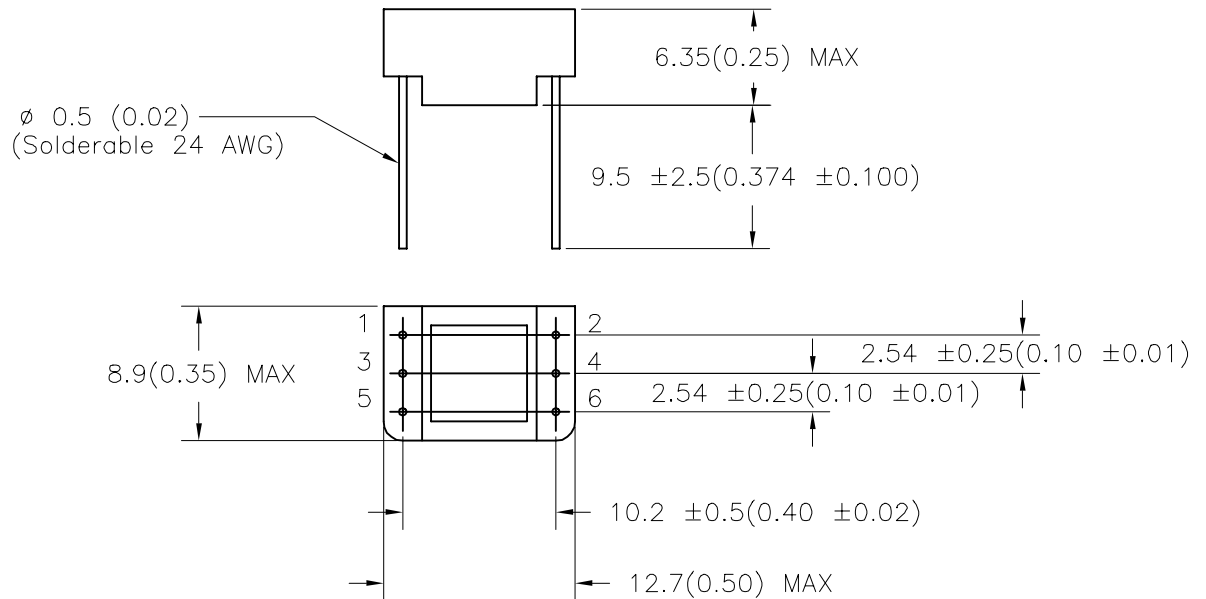
B. Marking;

G501, TAM, date code and country of origin

C. Schematic diagram



D. Mechanical Specification



MODEL NUMBER
G501

PREPARED BY: K. Brennan	DWG CONTROL NO. P-A1-10626 ACAD\G-SER\A1106261.DWG	REV A	PULSE TRANSFORMER	G501		
ENGINEER: T. Sasaki	CONTENTS OF THIS DRAWING ARE SUBJECT TO CHANGE WITHOUT PRIOR NOTICE		TAMURA CORPORATION OF AMERICA			MODEL SPECIFICATION
APPROVED: V. Casey	43352 BUSINESS PARK DRIVE, TEMECULA, CA. 92590-6624 (909) 699-1270 FAX 9096769482		DIM: mm(In)	SCL: 2/1	SH: 1 OF 1	
<p>PROPRIETARY NOTICE: THIS DRAWING PRINT OR DOCUMENT AND SUBJECT MATTER DISCLOSED HEREIN ARE PROPRIETARY ITEMS TO WHICH TAMURA RETAINS THE EXCLUSIVE RIGHT OF DISSEMINATION, REPRODUCTION, MANUFACTURE AND SALE. THIS DRAWING, PRINT OR DOCUMENT IS SUBMITTED IN CONFIDENCE FOR CONSIDERATION BY THE RECIPIENT ALONE UNLESS PERMISSION FOR FURTHER DISCLOSURE IS EXPRESSLY GRANTED IN WRITING.</p>						