

# Motor Logic™ Plus Programmable Solid State Overload Relay

Motor Logic™ Plus solid state overload relay (SSOLR) is a fully programmable overload relay designed to monitor three-phase AC motor systems. It is designed to protect 200–600 VAC, 3-phase AC motors from:

- High voltage
- Low voltage
- Voltage unbalance
- Current unbalance
- Single phasing
- Phase reversal
- Overload
- Underload
- Rapid cycling
- Class II ground fault
- Jam

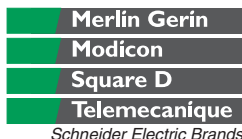


Motor Logic™ Plus (SSOLR) solid state overload relays are available as starter options in our Intelligent Motor Control Center (IMCC) sections. These overload relays can be equipped with an optional communication module (Class 9999 Type MB11) and various other accessories. The communication module can be used to form a local or network diagnostic form of communication for ease of remote motor monitoring.

Motor Logic™ Plus has three built in current transformers (CTs) which can handle three-phase motor applications from 0.5 – 90 (FLA) full load amperes. External current transformers are required to handle current loads above 90A up to 540 FLA for separate overload relays.

Motor Logic™ Plus has 16 programming parameters of which eight of these parameters can be viewed from the 3-digit alphanumeric LED display screen on the face of the overload relay. Additionally, these parameters can be viewed through the use of a laptop or desktop computer for remote access to motor performance and adjustments.

- Low Voltage Set Point
- High Voltage Set Point
- Voltage Unbalance Set Point
- Over Current Trip Point
- Under Current Trip Point
- Current Unbalance Trip Point
- Trip Class (5, 10, 15, 20, 30)
- Rapid Cycle Timer (RD1)
- Overload Restart Delay (RD2)
- Underload Restart Delay (RD3)
- Number of restarts after an overload, unbalance, single phasing (manual or automatic)
- RS485 Address
- Number of restarts after an underload fault, underload trip delay, and ground fault trip point
- Individual line voltages, current levels, as well as average voltage and average current

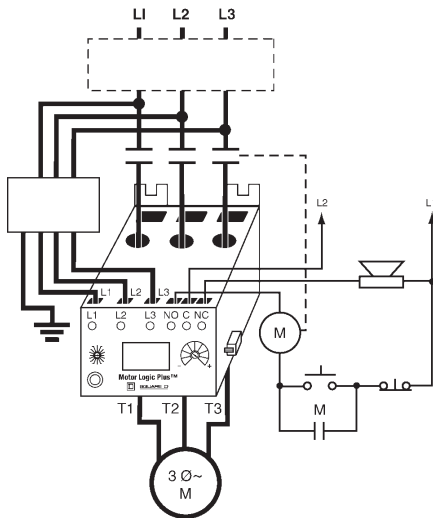
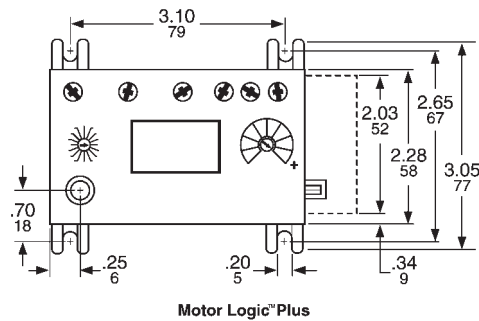
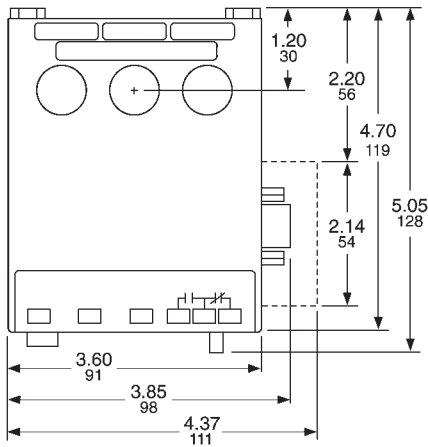


**SQUARE D**  
Schneider Electric

*Get more with the world's Power & Control specialist.*

# Motor Logic™ Plus Programmable Solid State Overload Relay

## Dimensions (shown in inches)



Motor Logic™ Plus is equipped with an RS485 port allowing up to 99 additional overload relays to be networked together and controlled remotely from a computer. An operator can control the motor(s), view the operating parameters, and view the last (4) faults by date and time, or log selective diagnostics data for periodic maintenance. Supporting software kits, communication modules, and accessories are sold separately.

## Optional features

- Lug-Lug Kits for separate mounting
- EMI Filter Kit – meets IEC noise immunity standards
- Communications Module – supports RS485 electrical communications standards
- Software Kit – Modbus protocol

## Selection

Class 9065SP Solid State Overload Relay			
Size/3 Pole	200 to 280 V	600 V	Product Description Current Range
00	SPB4	SPB6	0.5 - 2.3 A
0	SPC4	SPC6	2.0 - 9.0 A
1	SP14	SP16	6.0 - 27.0 A
2	SP24	SP26	10.0 - 45.0 A
3	SP34	SP36	20.0 - 90.0 A
4 ▲	SP44	SP46	60.0 - 135.0 A
5 ■	SP54	SP56	120.0 - 270.0 A
6 ◆	SP64	SP66	240.00 - 540.0 A

- ▲ Size 4 with 150:5 external current transformers
- Size 5 with 300:5 external current transformers
- ◆ Size 6 with 600:5 external current transformers

### Form adder for starter catalog number:

B	Motor Logic Plus Overload Relay
First Digit	
2	0.5 - 2.3 A
3	2.0 - 9.0 A
4	6.0 - 27.0 A
5	10.0 - 45.0 A
6	20.0 - 90.0 A
7	60.0 - 135.0 A
8	120.0 - 270.0 A
9	240.0 - 540.0 A
Second Digit	
0	No modification for 200 - 480V
1	Add Filter, No Communication module for 200-480V
2	No Filter, Add Communication Module for 200-480V
3	Add Filter, Add Communication Module for 200-480V
4	No modification for 600V
5	Add Filter, No Communication Module for 600V
6	No Filter, Add Communication Module for 600V
7	Add Filter, Add Communication Module for 600V

**Example:**  
Form B43  
Motor Logic Plus  
overload relay with  
a current range of  
6-27 amps and  
modifications to add  
filter and communica-  
tion module for  
an open style starter  
package.

Motor Logic is  
a registered  
trademark of  
SQUARE D  
Company.

Visit the **SQUARE D** web site  
at [www.SquareD.com](http://www.SquareD.com)

