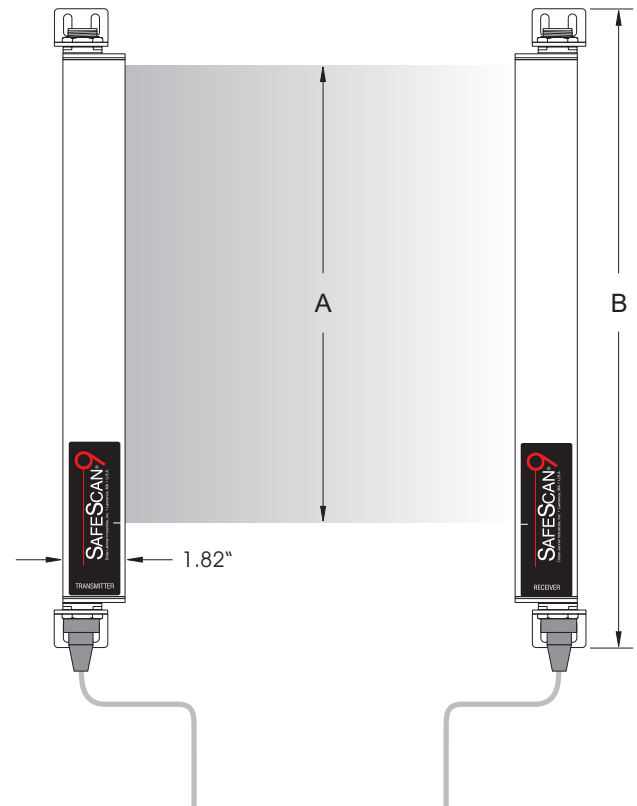
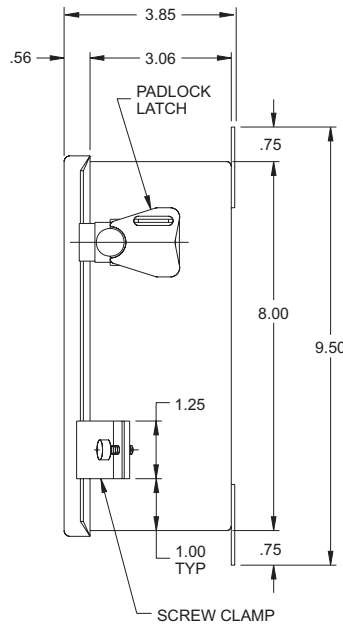
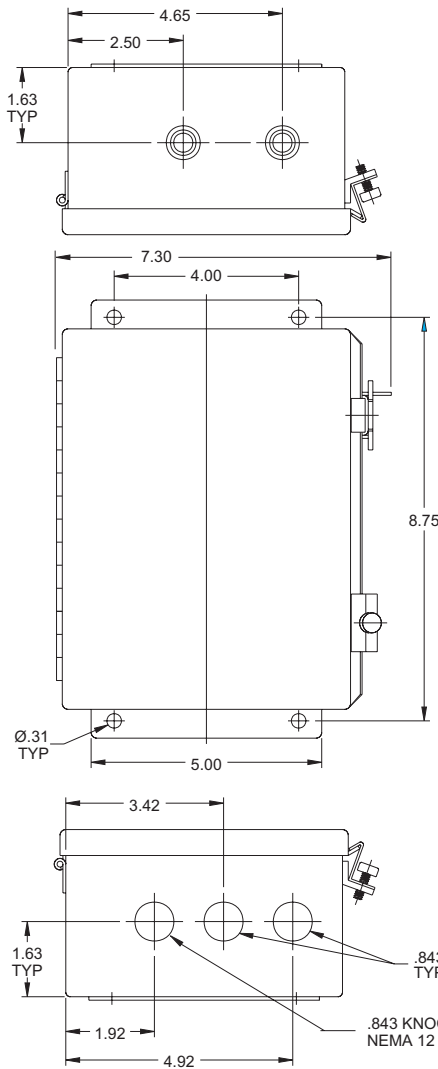


Dimensions (not to scale)

Dimensions shown are in inches.



Ordering Information

Control Module

- SS910-11010 24VDC, fixed and floating deselect with 20' cables
- SS930-11010 85 to 250VAC, fixed and floating deselect with 20' cables

Light Bar Pair

Part No.	Protected Hgt. (A)	Overall Hgt. (B)
SS950-06000	6"	11.20"
SS950-12000	12"	17.20"
SS950-16000	16"	21.20"
SS950-20000	20"	25.20"
SS950-24000	24"	29.20"
SS950-28000	28"	33.20"
SS950-32000	32"	37.20"
SS950-36000	36"	41.20"
SS950-40000	40"	45.20"
SS950-44000	44"	49.20"
SS950-48000	48"	53.20"
SS950-52000	52"	57.20"
SS950-56000	56"	61.20"
SS950-60000	60"	65.20"
SS950-64000	64"	69.20"

SafeScan9 System

- 1 Control Module
- 1 Transmitter
- 1 Receiver
- 1 Receiver Cable, included (20')
- 1 Transmitter Cable, included (20')

Specifications

- Power Requirements:**
85 to 250 VAC, 47-63 Hz, 30VA
24 VDC +/-4 VDC (negative or positive ground), 30W
- Response Time:**
20 to 64ms (depending on size of light bars)
- Operating Temperature:**
32°F to 122°F (0°C to 50°C)
- Contact Ratings:**
7A @ 250 VAC or 4A @ 24 VDC