

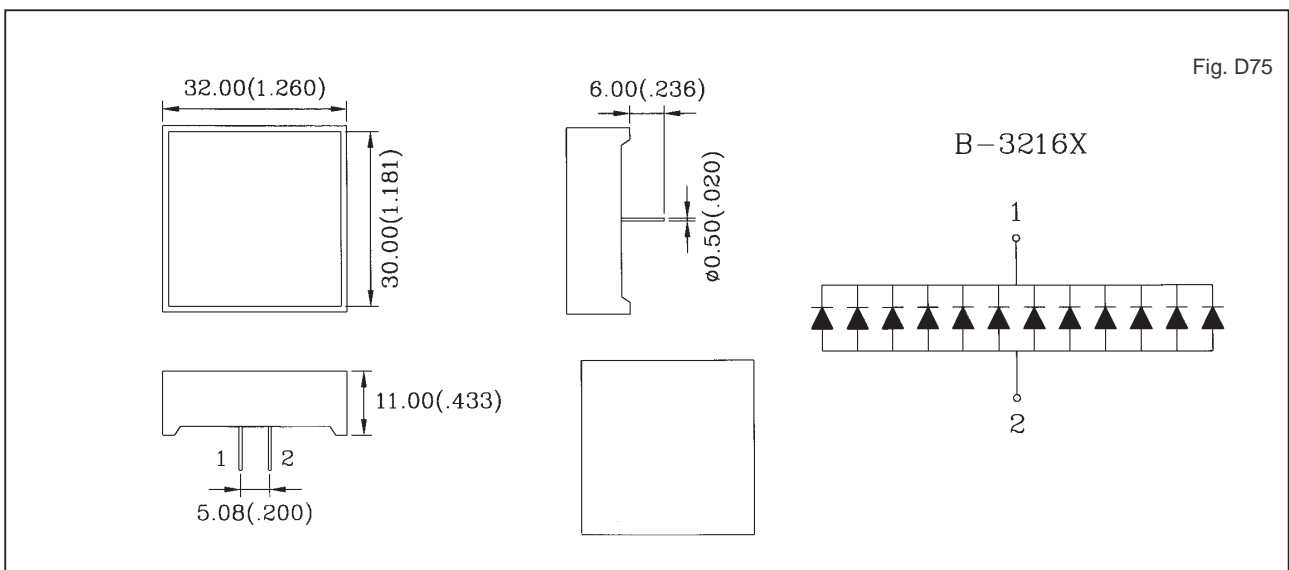
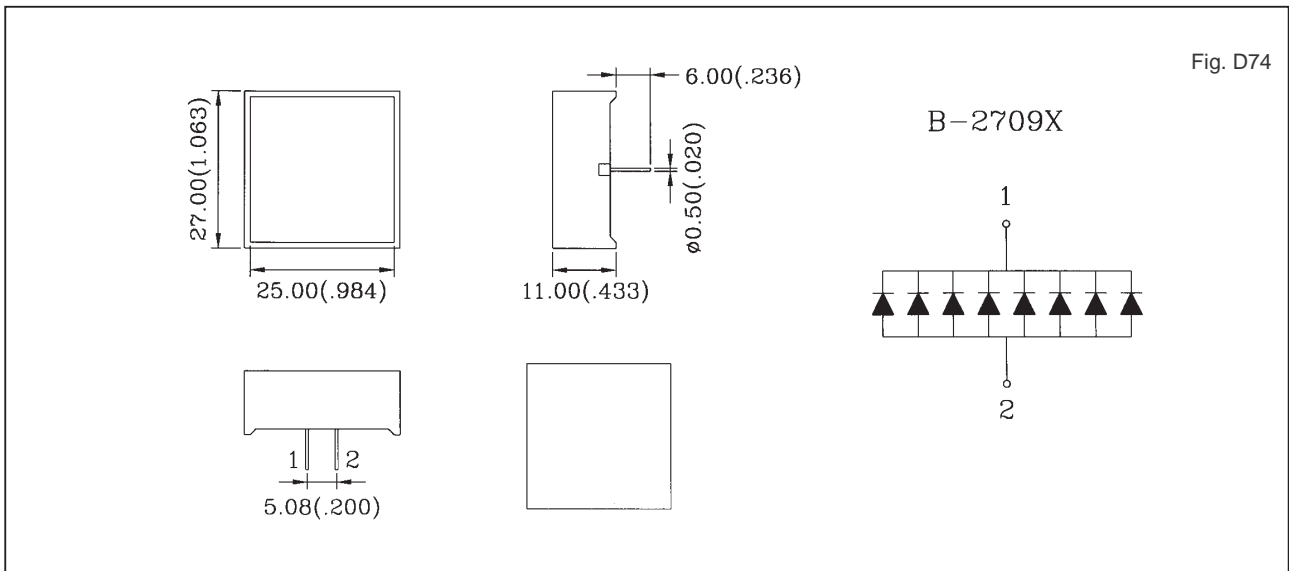


B-2709X, B-3216X LIGHT BAR

Shape	Part No.	Chip		Wave Length λ p(nm)	Electro-Optical Characteristics			Fig. No.
		Raw Material	Emitted Color		Vf(V)20mA		lv(mcd)10mA	
					Typ.	Max.	Typ.	
	B-2709E	GaAsP/GaP	Hi.effi Red	635	2.1	2.8	16.0	D74
	B-2709G	GaP	Green	565	2.2	2.8	14.0	
	B-2709Y	GaAsP/GaP	Yellow	585	2.1	2.8	14.0	
	B-2709SR	GaAlAs	Super Red	660	1.8	2.2	32.0	
	B-3216E	GaAsP/GaP	Hi.effi Red	635	2.1	2.8	24.0	D75
	B-3216G	GaP	Green	565	2.2	2.8	20.0	
	B-3216Y	GaAsP/GaP	Yellow	585	2.1	2.8	20.0	
	B-3216SR	GaAlAs	Super Red	660	1.8	2.2	50.0	



- 1.All dimension are in millimeters (inches).
- 2.Tolerance is ± 0.25 mm (0.01") unless otherwise specified.