

Power Supplies

AC Input

Single Output, General-Purpose

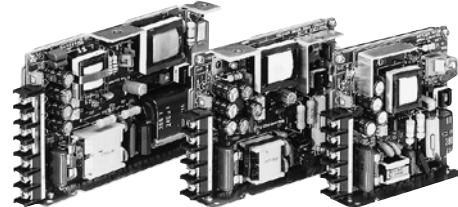
F Series FAW(15 to 150W)

UL/CSA/TÜV Approved

The F series FAW is characterized by a wide input voltage range not requiring switching for connections to input voltages of AC.85 to 264V and by the thin type of 25mm in thickness. This series of power supplies are UL/CSA/TÜV approved so as to be used with confidence at the worldwide commercial AC voltages.

FEATURES

- Thin-type single output power supply with wide input voltage range (AC.100 to 200V; Switching not required).
- Compact open frame type (A cover is available as option).
- Full product lineup covering 15W to 150W.
- LED indicator display function.
- Low noise (FCC class B and VDE class B meet).



PART NUMBERS AND RATINGS

Output voltage(V)	15W Type		25W Type		50W Type	
	Current(A)	Part No.	Current(A)	Part No.	Current(A)	Part No.
5	3	FAW05-3R0	5	FAW05-5R0	10	FAW05-10R
12	1.3	FAW12-1R3	2.1	FAW12-2R1	4.2	FAW12-4R2
15	1	FAW15-1R0	1.7	FAW15-1R7	3.4	FAW15-3R4
24	0.7	FAW24-0R7	1.1	FAW24-1R1	2.1	FAW24-2R1

Output voltage(V)	100W Type		150W Type	
	Current(A)	Part No.	Current(A)	Part No.
5	20	FAW05-20R	30	FAW05-30R
12	8.3	FAW12-8R3	12	FAW12-12R
15	6.6	FAW15-6R6	10	FAW15-10R
24	4.2	FAW24-4R2	6	FAW24-6R0
48	2	FAW48-2R0	2.8	FAW48-2R8

Power Supplies

F Series FAW(15 to 150W)

AC Input

Single Output, General-Purpose

UL/CSA/TÜV Approved

FAW15W TYPE**SPECIFICATIONS AND STANDARDS**

Part No.	FAW05-3R0	FAW12-1R3	FAW15-1R0	FAW24-0R7
Rated output voltage and current*1	5V • 3A	12V • 1.3A	15V • 1A	24V • 0.7A
Maximum output power	W	15	15.6	15
Input conditions				
Input voltage Eac	V	85 to 264[Rating: 100 to 120, 200 to 240]		
Input frequency	Hz	47 to 66[Rating: 50 to 60](Single phase)		
Input current	A	0.4max./0.3max.[AC.100 to 120V/200 to 240V]		
Fuse rating	A	2[Built-in]		
Surge current*2	A	22max./34max.[Input and output ratings, 25°C, cold start]		
Leakage current	mA	0.5max./0.75max.[Input and output ratings]		
Efficiency	%	70typ.		
Output characteristics				
Output voltage Edc	V	5	12	15
Voltage variable range Edc	V	4.5 to 5.5	10.8 to 13.2	13.5 to 16.5
Maximum output current	A	3	1.3	1
Overvoltage threshold Edc	V	6 to 6.9	13.7 to 15.7	17 to 19
Overcurrent threshold	A	3.3 to 5.5	1.4 to 2.5	1.1 to 2
Voltage stability	Source effect	%	2max.(1typ.)[Within the input voltage range]	
	Load effect	%	2max.(1typ.)[10 to 100% load] Total effect 4max.(2typ.)	
	Temperature effect	%	2max.(1typ.)[Ambient temperature: 0 to +50°C]	
	Drift(Time effect)	%	0.5max.(0.1typ.)[25°C, input and output ratings, after input voltage ON for 30min to 8h]	
	Recovery	%/ms	±4max./2max.[50 to 100% sudden load change]	
Ripple Ep-p	mV	60max.	80max.	80max.
Ripple noise Ep-p	mV	120max.	190max.	220max.
Start up time	ms	500max.		
Hold up time	ms	15min.		
Auxiliary functions				
Indicator display	LED(Green) indicates when voltage output is ON.			
Overvoltage protection	Voltage shut-down type, recovers upon reset(interval approx. 30s).			
Overcurrent protection	Rectangular type, automatic recovery.			
Remote ON-OFF	No			
Remote sensing	No			
Current balance	No			
Standards				
Safety standards	UL1950-3, CSA950-95(C-UL), EN60950(TÜV) approved.			
Noise terminal voltage	FCC class B[AC.100 to 120V], VDE0871 class B[AC.220 to 240V] meet.			
Constructions				
External dimensions	mm	25×95×100[H×W×L] / With cover(Option)*3: 30×95×100[H×W×L]		
Weight	g	270max.		
Mounting method	Can be attached to 2 sides.			
Case material	Frame: Iron / Cover(Option: 3JC0ZB172-FAW15CA): Iron			

*1 Current rating(maximum output current) is determined for 0 to +50°C. Derating is required when used outside this temperature range.

*2 The surge current suppression element is a power thermistor.

*3 Derating is required when the optional cover is attached.

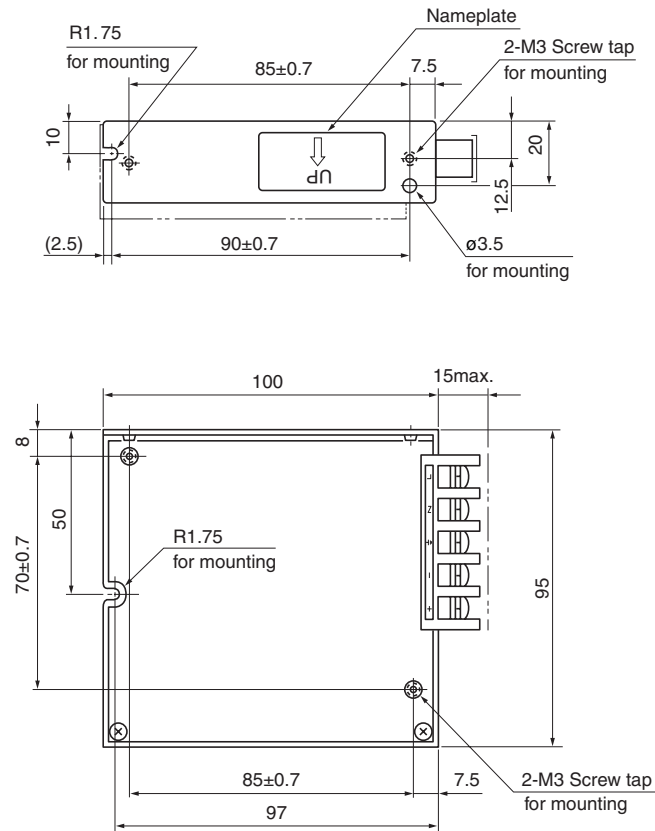
Power Supplies

AC Input Single Output, General-Purpose

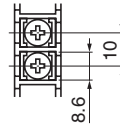
F Series FAW(15 to 150W)

UL/CSA/TÜV Approved

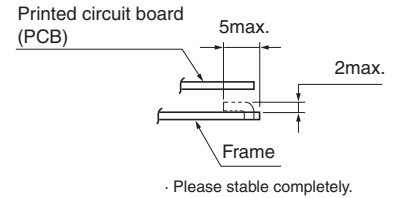
FAW15W TYPE SHAPES AND DIMENSIONS



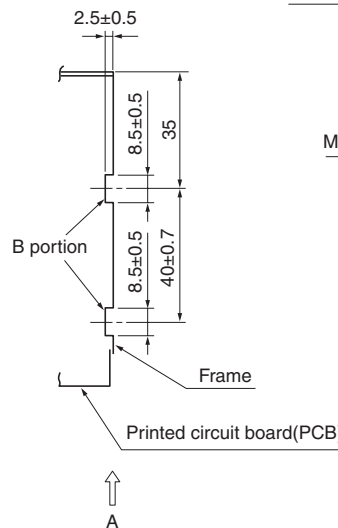
[Detail drawing of terminal block]



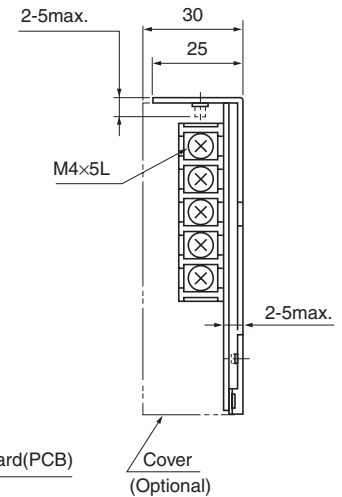
[Example of installed on an another system with B portions]



[Slit(slot) dimensions of frame]



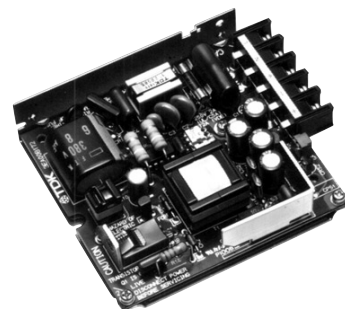
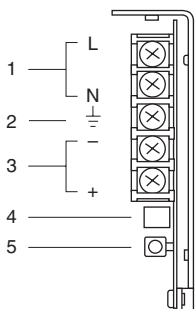
[A-direction view]



Dimensions in mm
±1mm : without specified dimensions

• Do not insert M3 tap installation screws more than 5mm from the surface of power supply.

TERMINAL DESIGNATIONS AND FUNCTIONS



Terminal No.	Designations and functions	
1	AC input terminals(L, N)	Connect to AC.100 to 120V or AC. 200 to 240V input line.
2	Frame ground terminal(G)	Connect to earth ground. This is connected to the case.
3	DC output terminals(+, -)	Connect to load.
4	Output voltage adjustment trim	Adjusts output voltage.
5	Operation indicator LED	This Green LED becomes indicated when voltage is output.

• All specifications are subject to change without notice.

Power Supplies

F Series FAW(15 to 150W)

AC Input

Single Output, General-Purpose

UL/CSA/TÜV Approved

FAW25W TYPE**SPECIFICATIONS AND STANDARDS**

Part No.	FAW05-5R0	FAW12-2R1	FAW15-1R7	FAW24-1R1	
Rated output voltage and current*1	5V • 5A	12V • 2.1A	15V • 1.7A	24V • 1.1A	
Maximum output power	W	25	25.2	25.5	26.4
Input conditions					
Input voltage Eac	V	85 to 264[Rating: 100 to 120, 200 to 240]			
Input frequency	Hz	47 to 66[Rating: 50 to 60](Single phase)			
Input current	A	0.7max./0.45max.[AC.100 to 120V/200 to 240V]			
Fuse rating	A	2.5[Built-in]			
Surge current*2	A	43max./85max.[Input and output ratings, 25°C, cold start]			
Leakage current	mA	0.5max./0.75max.[Input and output ratings]			
Efficiency	%	70typ.			
Output characteristics					
Output voltage Edc	V	5	12	15	24
Voltage variable range Edc	V	4.5 to 5.5	10.8 to 13.2	13.5 to 16.5	21.6 to 26.4
Maximum output current	A	5	2.1	1.7	1.1
Overvoltage threshold Edc	V	6 to 6.9	13.7 to 15.7	17 to 19	27 to 30.5
Overcurrent threshold	A	5.5 to 7.5	2.3 to 3.3	1.9 to 2.8	1.2 to 1.8
Voltage stability	Source effect	%	2max.(1typ.)[Within the input voltage range]		Total effect 4max.(2.6typ.)
	Load effect	%	2max.(1typ.)[10 to 100% load]		
	Temperature effect	%	2max.(1typ.)[Ambient temperature: 0 to +50°C]		
	Drift(Time effect)	%	0.5max.(0.1typ.)[25°C, input and output ratings, after input voltage ON for 30min to 8h]		
	Recovery	%/ms	±4max./2max.[50 to 100% sudden load change]		
Ripple Ep-p	mV	80max.	100max.	120max.	150max.
Ripple noise Ep-p	mV	120max.	190max.	220max.	310max.
Start up time	ms	500max.			
Hold up time	ms	15min.			
Auxiliary functions					
Indicator display	LED(Green) indicates when voltage output is ON.				
Overvoltage protection	Voltage shut-down type, recovers upon reset(interval approx. 30s).				
Overcurrent protection	Rectangular type, automatic recovery.				
Remote ON-OFF	No				
Remote sensing	No				
Current balance	No				
Standards					
Safety standards	UL1950-3, CSA950-95(C-UL), EN60950(TÜV) approved.				
Noise terminal voltage	FCC class B[AC.100 to 120V], VDE0871 class B[AC.220 to 240V] meet.				
Constructions					
External dimensions	mm	25×95×125[H×W×L] / With cover(Option)*3: 30×95×125[H×W×L]			
Weight	g	300max.			
Mounting method	Can be attached to 2 sides.				
Case material	Frame: Aluminum / Cover(Option: 3JC0ZB173-FAW25CA): Iron				

*1 Current rating(maximum output current) is determined for 0 to +50°C. Derating is required when used outside this temperature range.

*2 The surge current suppression element is a power thermistor.

*3 Derating is required when the optional cover is attached.

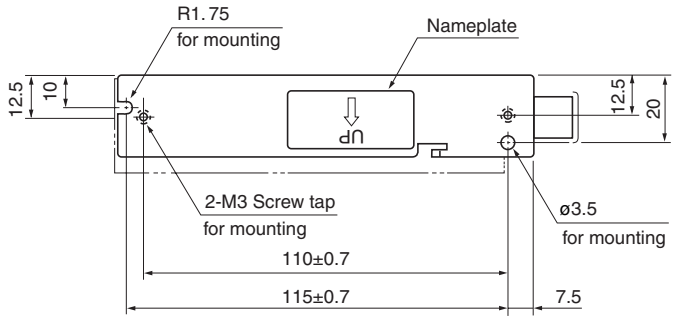
Power Supplies

AC Input Single Output, General-Purpose

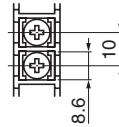
F Series FAW(15 to 150W)

UL/CSA/TÜV Approved

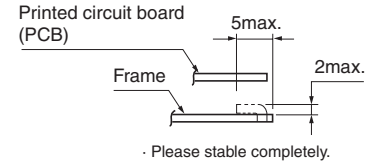
FAW25W TYPE SHAPES AND DIMENSIONS



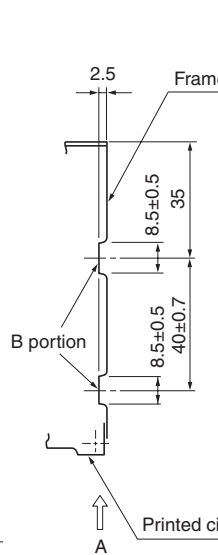
[Detail drawing of terminal block]



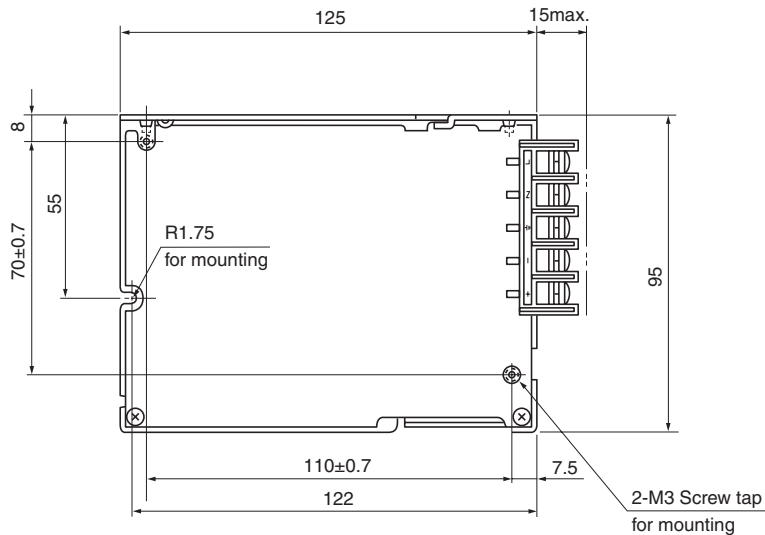
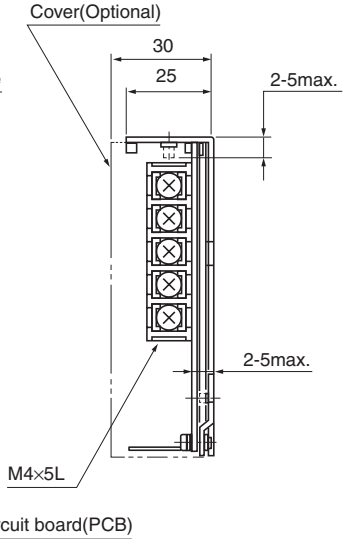
[Example of installed on another system with B portions]



[Slit(slot) dimensions of frame]



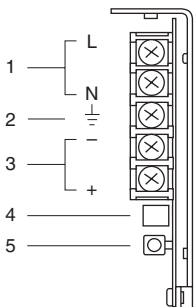
[A-direction view]



Dimensions in mm
±1mm : without specified dimensions

• Do not insert M3 tap installation screws more than 5mm from the surface of power supply.

TERMINAL DESIGNATIONS AND FUNCTIONS



Terminal No.	Designations and functions	
1	AC input terminals(L, N)	Connect to AC.100 to 120V or AC. 200 to 240V input line.
2	Frame ground terminal(G)	Connect to earth ground. This is connected to the case.
3	DC output terminals(+, -)	Connect to load.
4	Output voltage adjustment trim	Adjusts output voltage.
5	Operation indicator LED	This Green LED becomes indicated when voltage is output.

• All specifications are subject to change without notice.

Power Supplies

F Series FAW(15 to 150W)

AC Input

Single Output, General-Purpose

UL/CSA/TÜV Approved

FAW50W TYPE**SPECIFICATIONS AND STANDARDS**

Part No.	FAW05-10R	FAW12-4R2	FAW15-3R4	FAW24-2R1
Rated output voltage and current*1	5V • 10A	12V • 4.2A	15V • 3.4A	24V • 2.1A
Maximum output power	W	50	50.4	51
Input conditions				
Input voltage Eac	V	85 to 264[Rating: 100 to 120, 200 to 240]		
Input frequency	Hz	47 to 66[Rating: 50 to 60](Single phase)		
Input current	A	1.2max./0.7max.[AC.100 to 120V/200 to 240V]		
Fuse rating	A	3[Built-in]		
Surge current*2	A	45max./90max.[Input and output ratings, 25°C, cold start]		
Leakage current	mA	0.5max./0.75max.[Input and output ratings]		
Efficiency	%	76typ.		
Output characteristics				
Output voltage Edc	V	5	12	15
Voltage variable range Edc	V	4.5 to 5.5	10.8 to 13.2	13.5 to 16.5
Maximum output current	A	10	4.2	3.4
Overvoltage threshold Edc	V	6 to 6.9	13.7 to 15.7	17 to 19
Overcurrent threshold	A	10.5 to 12	4.4 to 5.1	3.6 to 4.1
Voltage stability	Source effect	%	2max.(1typ.)[Within the input voltage range]	
	Load effect	%	2max.(1typ.)[10 to 100% load] Total effect 4max.(2typ.)	
	Temperature effect	%	2max.(1typ.)[Ambient temperature: 0 to +50°C]	
	Drift(Time effect)	%	0.5max.(0.1typ.)[25°C, input and output ratings, after input voltage ON for 30min to 8h]	
	Recovery	%/ms	±4max./2max.[50 to 100% sudden load change]	
Ripple Ep-p	mV	80max.	100max.	120max.
Ripple noise Ep-p	mV	120max.	190max.	220max.
Start up time	ms	500max.		
Hold up time	ms	15min.		
Auxiliary functions				
Indicator display	LED(Green) indicates when voltage output is ON.			
Overvoltage protection	Voltage shut-down type, recovers upon reset(interval approx. 30s).			
Overcurrent protection	Rectangular type, automatic recovery.			
Remote ON-OFF	No			
Remote sensing	Yes			
Current balance	No			
Standards				
Safety standards	UL1950-3, CSA950-95(C-UL), EN60950(TÜV) approved.			
Noise terminal voltage	FCC class B[AC.100 to 120V], VDE0871 class B[AC.220 to 240V] meet.			
Constructions				
External dimensions	mm	25×95×165[H×W×L] / With cover(Option)*3: 31×95×165[H×W×L]		
Weight	g	450max.		
Mounting method	Can be attached to 2 sides.			
Case material	Frame: Aluminum / Cover(Option: 3JC0ZB174-FAW50CA): Iron			

*1 Current rating(maximum output current) is determined for 0 to +50°C. Derating is required when used outside this temperature range.

*2 The surge current suppression element is a power thermistor.

*3 Derating is required when the optional cover is attached.

Power Supplies

AC Input

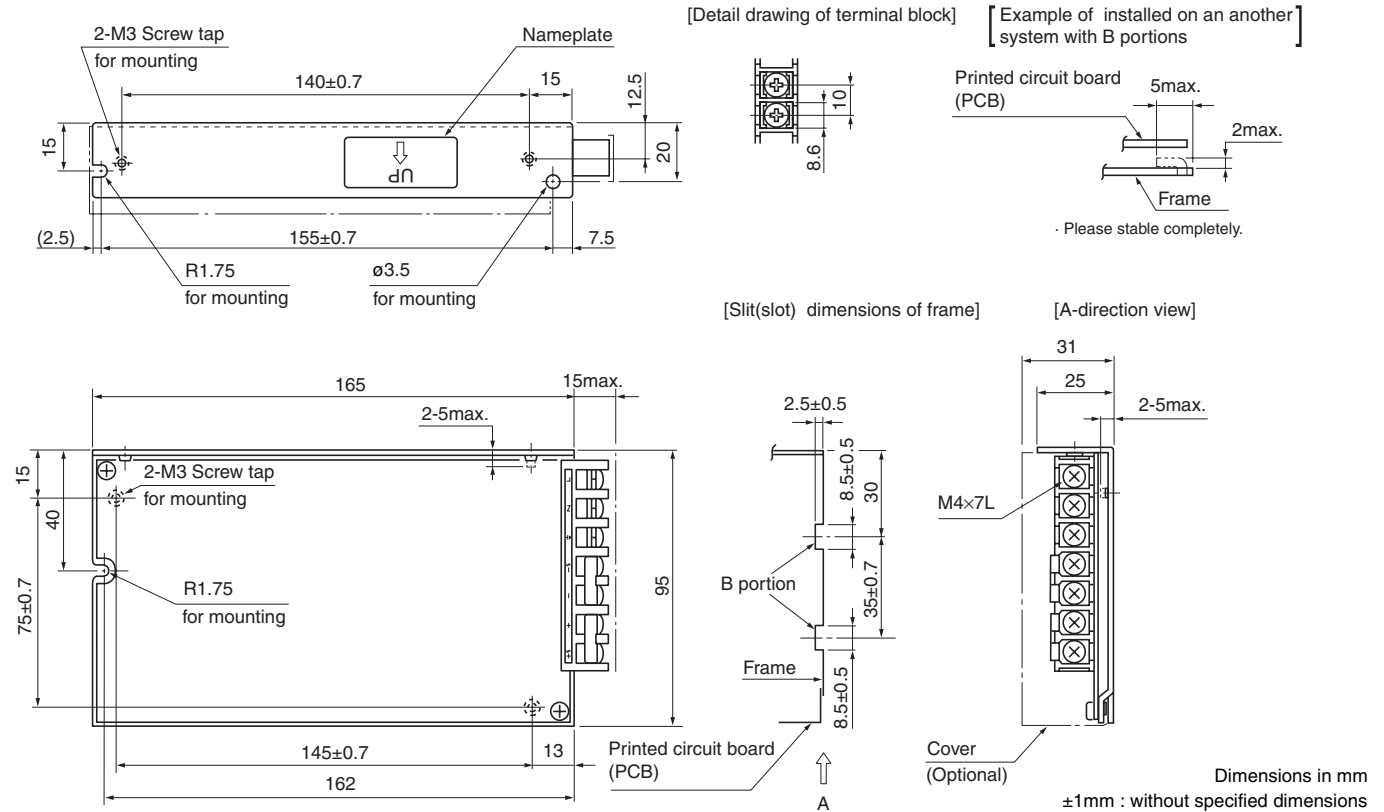
Single Output, General-Purpose

F Series FAW(15 to 150W)

UL/CSA/TÜV Approved

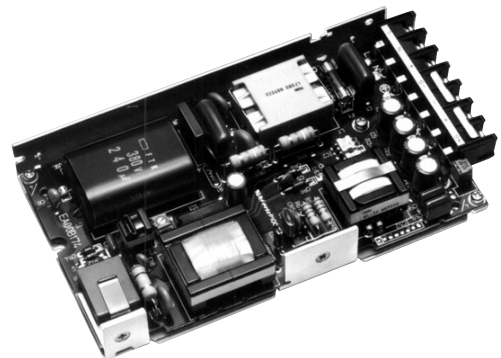
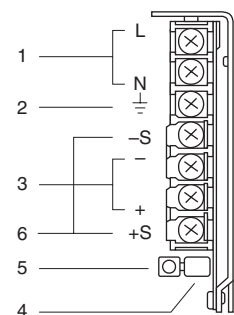
FAW50W TYPE

SHAPES AND DIMENSIONS



• Do not insert M3 tap installation screws more than 5mm from the surface of power supply.

TERMINAL DESIGNATIONS AND FUNCTIONS



Terminal No.	Designations and functions	
1	AC input terminals(L, N)	Connect to AC.100 to 120V or AC. 200 to 240V input line.
2	Frame ground terminal(G)	Connect to earth ground. This is connected to the case.
3	DC output terminals(+, -)	Connect to load.
4	Output voltage adjustment trim	Adjusts output voltage.
5	Operation indicator LED	This Green LED becomes indicated when voltage is output.
6	Remote sensing terminals(+S, -S)	These terminals are used to compensate voltage loss from the output terminal to a load. Normally they are shorted with a metal bar.

• All specifications are subject to change without notice.

Power Supplies

F Series FAW(15 to 150W)

AC Input

Single Output, General-Purpose

UL/CSA/TÜV Approved

FAW100W TYPE

SPECIFICATIONS AND STANDARDS

Part No.		FAW05-20R	FAW12-8R3	FAW15-6R6	FAW24-4R2	FAW48-2R0
Rated output voltage and current*1		5V • 20A	12V • 8.3A	15V • 6.6A	24V • 4.2A	48V • 2A
Maximum output power	W	100	99.6	99	100.8	96
Input conditions						
Input voltage Eac	V	85 to 264[Rating: 100 to 120, 200 to 240]				
Input frequency	Hz	47 to 66[Rating: 50 to 60](Single phase)				
Input current	A	2.4max./1.6max.[AC.100 to 120V/200 to 240V]				
Fuse rating	A	5[Built-in]				
Surge current	A	25max./50max.[Input and output ratings, 1st surge current, reset after 30s minimum.]				
Leakage current	mA	0.5max./0.75max.[Input and output ratings]				
Efficiency	%	78typ.				
Output characteristics						
Output voltage Edc	V	5	12	15	24	48
Voltage variable range Edc	V	4.5 to 5.5	10.8 to 13.2	13.5 to 16.5	21.6 to 26.4	43.2 to 52.8
Maximum output current	A	20	8.3	6.6	4.2	2
Overvoltage threshold Edc	V	6 to 6.9	13.7 to 15.7	17 to 19	27 to 30.5	53.5 to 60
Overcurrent threshold	A	21 to 24	8.7 to 10	7 to 8	4.4 to 5.2	2.1 to 2.4
Voltage stability	Source effect	% 2max.(1typ.)(Within the input voltage range]				
	Load effect	% 2max.(1typ.)(10 to 100% load] Total effect ±2max.(±1typ.)				
	Temperature effect	% 2max.(1typ.)(Ambient temperature: 0 to +50°C]				
	Drift(Time effect)	% 0.5max.(0.1typ.)(25°C, input and output ratings, after input voltage ON for 30min to 8h]				
	Recovery	%ms ±4max./1max.[50 to 100% sudden load change]				
Ripple Ep-p	mV	80max.	100max.	120max.	150max.	260max.
Ripple noise Ep-p	mV	120max.	190max.	220max.	310max.	530max.
Start up time	ms	200max.				
Hold up time	ms	15min.				
Auxiliary functions						
Indicator display	LED(Green) indicates when voltage output is ON.					
Overvoltage protection	Voltage shut-down type, recovers upon reset after roughly 90/120s[AC.120/240V].					
Overcurrent protection	Rectangular type, automatic recovery.					
Remote ON-OFF	No					
Remote sensing	Yes					
Current balance	No					
Standards						
Safety standards	UL1950-3, CSA950-95(C-UL), EN60950(TÜV) approved.					
Noise terminal voltage	FCC class B[AC.100 to 120V], VDE0871 class B[AC.220 to 240V] meet.					
Constructions						
External dimensions	mm	35×95×200[H×W×L] / With cover(Option)*2: 40×95×200[H×W×L]				
Weight	kg	1max.				
Mounting method	Can be attached to 2 sides.					
Case material	Frame: Aluminum / Cover(Option: 2JC0ZG043-FGW100CA): Iron					

*1 Current rating(maximum output current) is determined for 0 to +50°C. Derating is required when used outside this temperature range.

*2 Derating is required when the optional cover is attached.

Power Supplies

AC Input

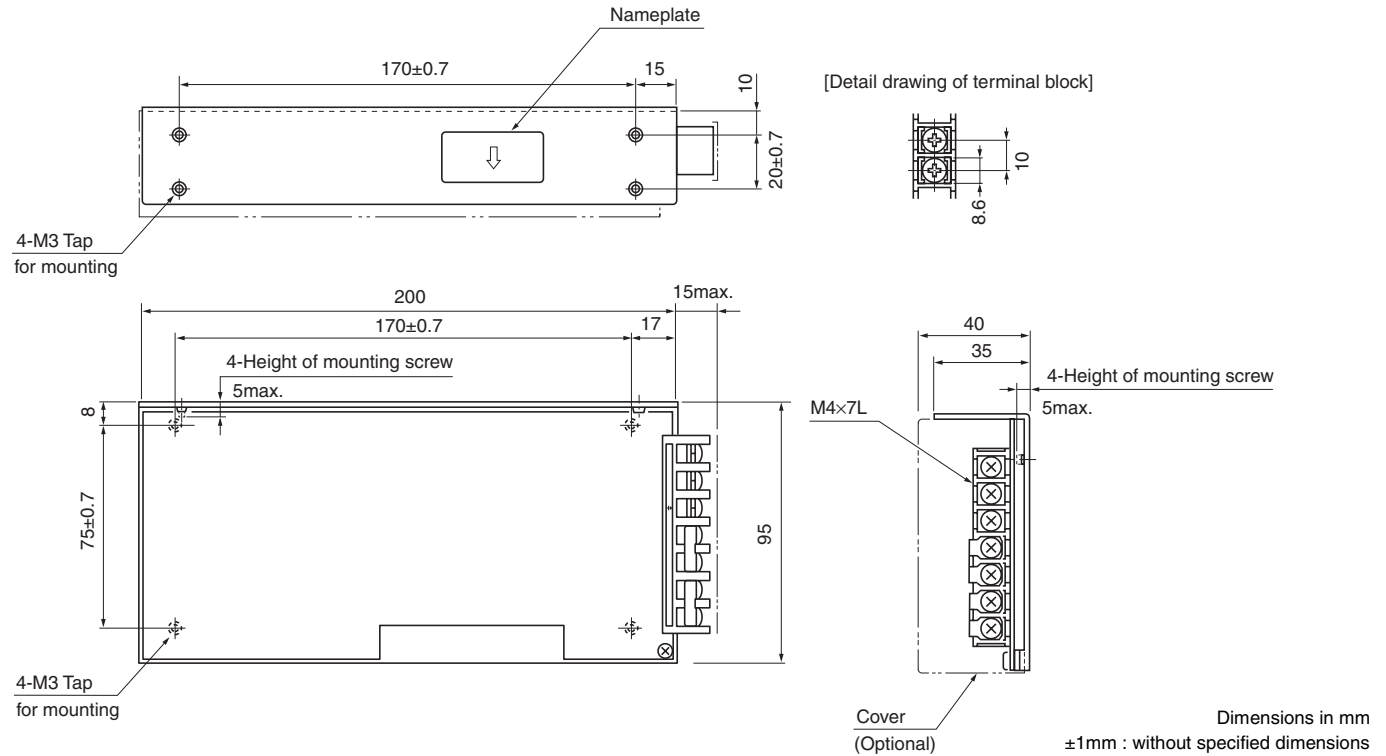
Single Output, General-Purpose

F Series FAW(15 to 150W)

UL/CSA/TÜV Approved

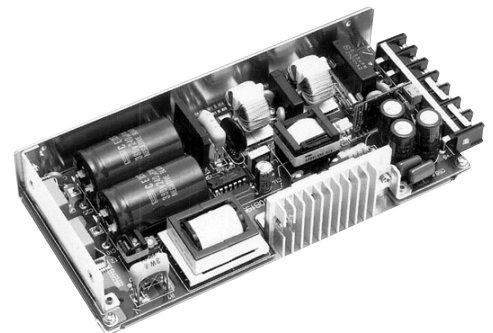
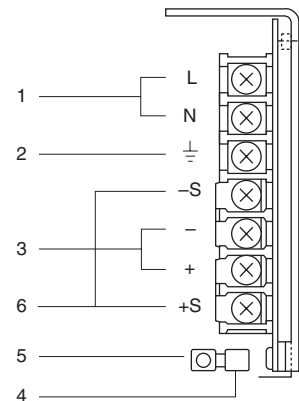
FAW100W TYPE

SHAPES AND DIMENSIONS



- Do not insert M3 tap installation screws more than 5mm from the surface of power supply.

TERMINAL DESIGNATIONS AND FUNCTIONS



Terminal No.	Designations and functions	
1	AC input terminals(L, N)	Connect to AC.100 to 120V or AC. 200 to 240V input line.
2	Frame ground terminal(G)	Connect to earth ground. This is connected to the case.
3	DC output terminals(+, -)	Connect to load.
4	Output voltage adjustment trim	Adjusts output voltage.
5	Operation indicator LED	This Green LED becomes indicated when voltage is output. It is mounted on a miniature base.
6	Remote sensing terminals(+S, -S)	These terminals are used to compensate voltage loss from the output terminal to a load. Normally they are shorted with a metal bar.

- All specifications are subject to change without notice.

Power Supplies

F Series FAW(15 to 150W)

AC Input

Single Output, General-Purpose

UL/CSA/TÜV Approved

FAW150W TYPE

SPECIFICATIONS AND STANDARDS

Part No.		FAW05-30R	FAW12-12R	FAW15-10R	FAW24-6R0	FAW48-2R8	
Rated output voltage and current*1		5V • 30A	12V • 12A	15V • 10A	24V • 6A	48V • 2.8A	
Maximum output power	W	150	144	150	144	134.4	
Input conditions							
Input voltage Eac	V	85 to 264[Rating: 100 to 120/200 to 240]					
Input frequency	Hz	47 to 66[Rating: 50 to 60](Single phase)					
Input current	A	3.5max./2max.[AC.100 to 120V/200 to 240V]					
Fuse rating	A	6.3[Built-in]					
Surge current	A	25max./50max.[Input and output ratings, 1st surge current, reset after 30s minimum.]					
Leakage current	mA	0.5max./0.75max.[Input and output ratings]					
Efficiency	%	78typ.					
Output characteristics							
Output voltage Edc	V	5	12	15	24	48	
Voltage variable range Edc	V	4.5 to 5.5	10.8 to 13.2	13.5 to 16.5	21.6 to 26.4	43.2 to 52.8	
Maximum output current	A	30	12	10	6	2.8	
Overvoltage threshold Edc	V	6 to 6.9	13.7 to 15.7	17 to 19	27 to 30.5	53.5 to 60	
Overcurrent threshold	A	32 to 36	13 to 15	11 to 13	6.3 to 7.5	3 to 3.5	
Voltage stability	Source effect	%	2max.(1typ.)[Within the input voltage range]			Total effect ±2max.(±1typ.)	
	Load effect	%	2max.(1typ.)[10 to 100% load]				
	Temperature effect	%	2max.(1typ.)[Ambient temperature: 0 to +50°C]				
	Drift(Time effect)	%	0.5max.(0.1typ.)[25°C, input and output ratings, after input voltage ON for 30min to 8h]				
	Recovery	%/ms	±4max./1max.[50 to 100% sudden load change]				
Ripple Ep-p	mV	80max.	100max.	120max.	150max.	260max.	
Ripple noise Ep-p	mV	120max.	190max.	220max.	310max.	530max.	
Start up time	ms	200max.					
Hold up time	ms	15min.					
Auxiliary functions							
Indicator display		LED(Green) indicates when voltage output is ON.					
Overvoltage protection		Voltage shut-down type, recovers upon reset after roughly 90/120s[AC.120/240V].					
Overcurrent protection		Rectangular type, automatic recovery.					
Remote ON-OFF		No					
Remote sensing		Yes					
Current balance		No					
Standards							
Safety standards		UL1950-3, CSA950-95(C-UL), EN60950(TÜV) approved.					
Noise terminal voltage		FCC class B[AC.100 to 120V], VDE0871 class B[AC.220 to 240V] meet.					
Constructions							
External dimensions	mm	51×95×200[H×W×L] / With cover(Optional)*2: 55×95×200[H×W×L]					
Weight	kg	1.2max.					
Mounting method		Can be attached to 2 sides.					
Case material		Frame: Aluminum / Cover(Optional: 2JC0ZG044-FGW150CA): Iron					

*1 Current rating(maximum output current) is determined for 0 to +50°C. Derating is required when used outside this temperature range.

*2 Derating is required when the optional cover is attached.

Power Supplies

AC Input

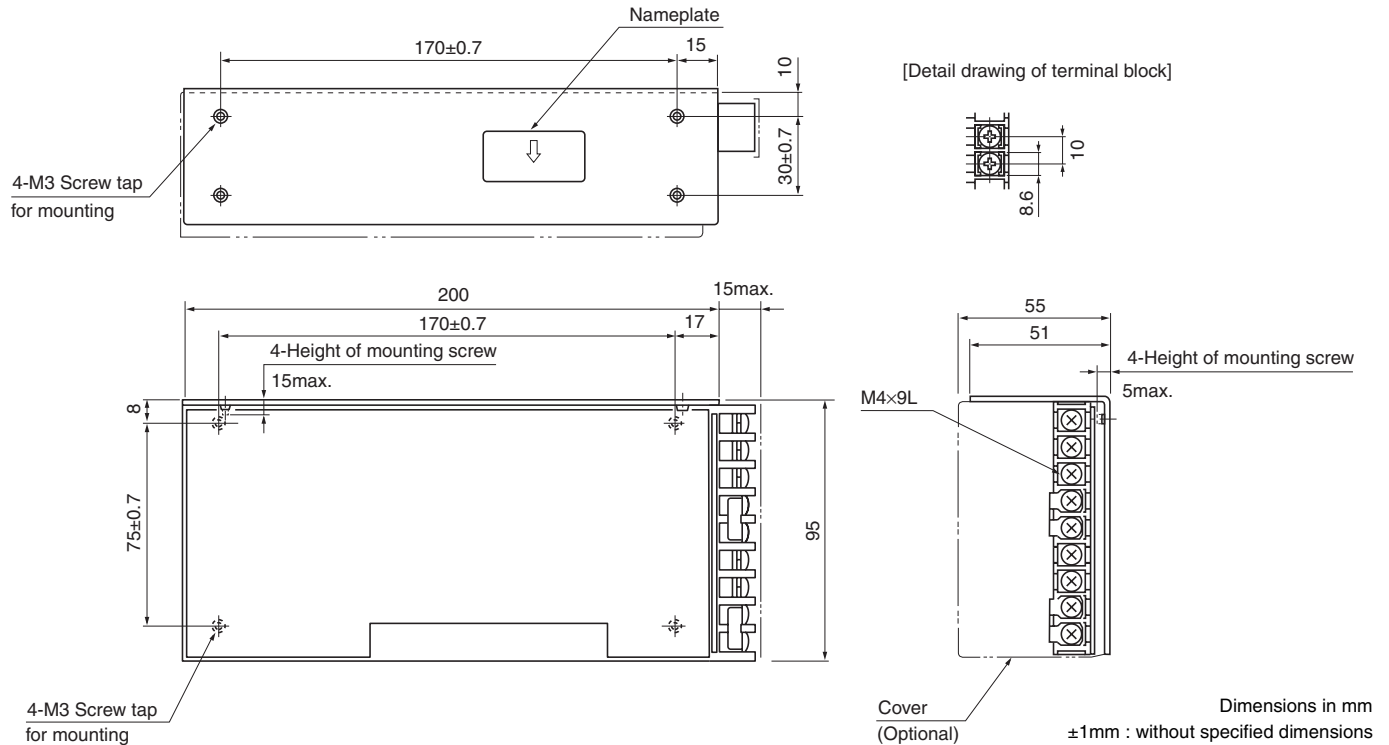
Single Output, General-Purpose

F Series FAW(15 to 150W)

UL/CSA/TÜV Approved

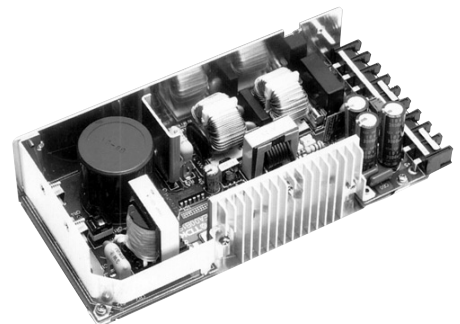
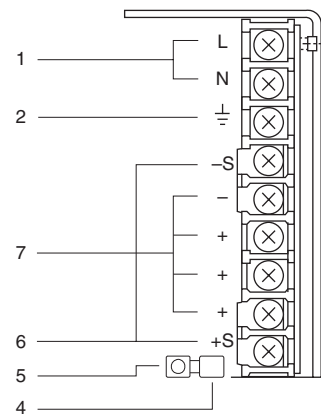
FAW150W TYPE

SHAPES AND DIMENSIONS



- Do not insert M3 tap installation screws more than 5mm from the surface of power supply.

TERMINAL DESIGNATIONS AND FUNCTIONS



Terminal No.	Designations and functions	
1	AC input terminals(L, N)	Connect to AC.100 to 120V or AC. 200 to 240V input line.
2	Frame ground terminal(G)	Connect to earth ground. This is connected to the case.
3	DC output terminals(+, -)	Connect to load.
4	Output voltage adjustment trim	Adjusts output voltage.
5	Operation indicator LED	This Green LED becomes indicated when voltage is output. It is mounted on a miniature base.
6	Remote sensing terminals(+S, -S)	These terminals are used to compensate voltage loss from the output terminal to a load. Normally they are shorted with a metal bar.
7	Direct output terminal(+, +, -, -)	Connect a load line to this terminal. Allowable current per pin is 20A max. A use of two pins each is recommended.

- All specifications are subject to change without notice.

Power Supplies

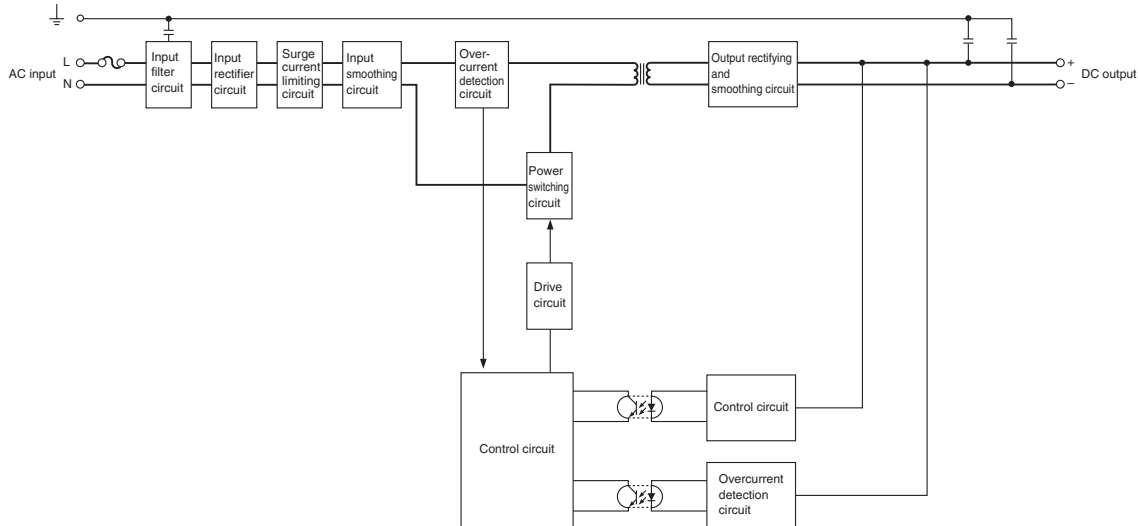
AC Input

Single Output, General-Purpose

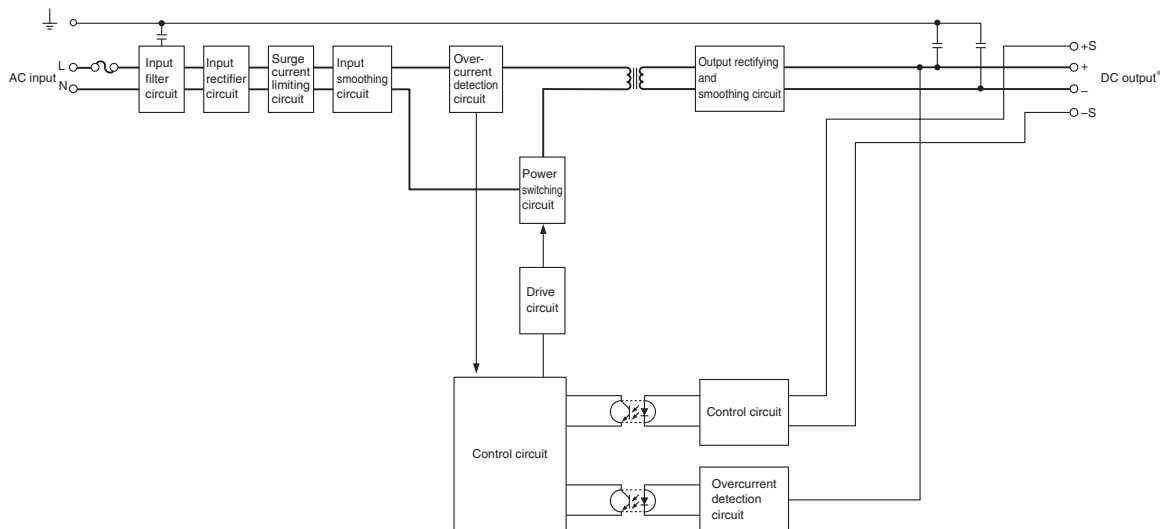
F Series FAW(15 to 150W)

UL/CSA/TÜV Approved

BLOCK DIAGRAM 15W AND 25W TYPES



50W, 100W AND 150W TYPES



* The 150W type provides 2 each + and – output terminals.

COMMON SPECIFICATIONS

Temperature and humidity		
Temperature range	Operating(°C)	0 to +60[Derating is necessary when operating environment temperature exceed 50°C.]
	Storage(°C)	-25 to +75
Humidity range	Operating(%)RH	20 to 95[Maximum wet-bulb temperature: 35°C, without dewing]
	Storage(%)RH	
Vibration and shock*		
Vibration	5 to 10Hz	All amplitude 10mm[3 directions, each 1h]
	10 to 55Hz	Acceleration 19.6m/s ² (2G)[3 directions, each 1h]
Shock	Acceleration	196m/s ² (20G)[3 directions, each 3 times]
	Pulse duration	11±5ms
Withstand voltage and insulation resistance		
Withstand voltage	Input terminal to ground terminal(G)	Eac: 2kV, 1min[Normal temperature, normal humidity, cutout current 10mA]
	Input terminal to output terminal	
Insulation resistance	Input terminal to ground terminal(G)	Edc: 500V, 100MΩ min. [Normal temperature, normal humidity]
	Input terminal to output terminal	
	Output terminal to ground terminal(G)	

* The specifications are intended for a product with a base attached, but not for a product installed with angle bracket.

• All specifications are subject to change without notice.

Power Supplies

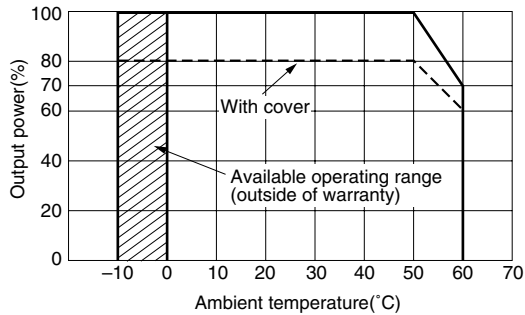
AC Input

Single Output, General-Purpose

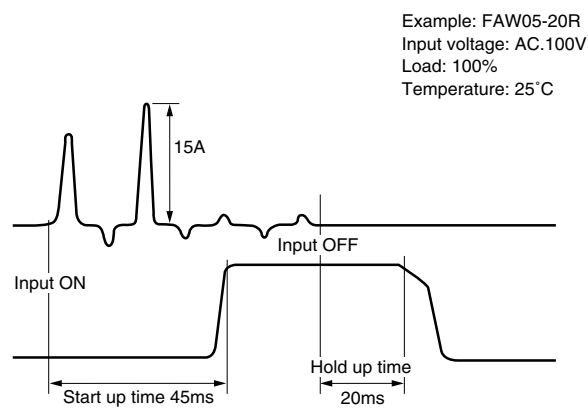
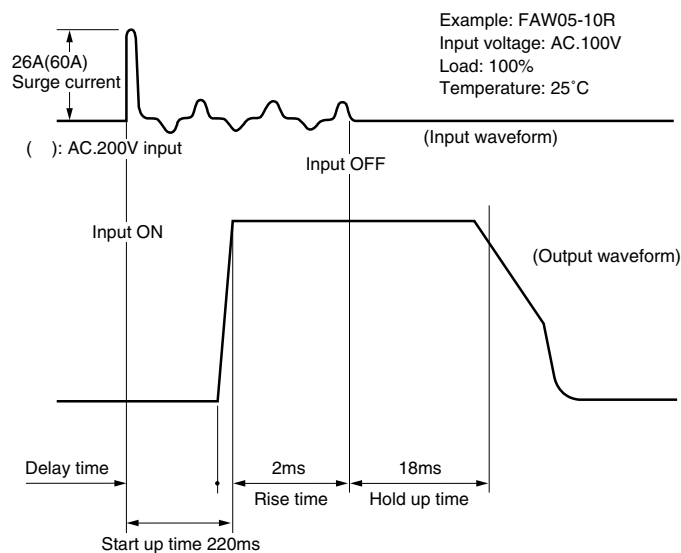
F Series FAW(15 to 150W)

UL/CSA/TÜV Approved

OUTPUT POWER-AMBIENT TEMPERATURE(DERATINGS)

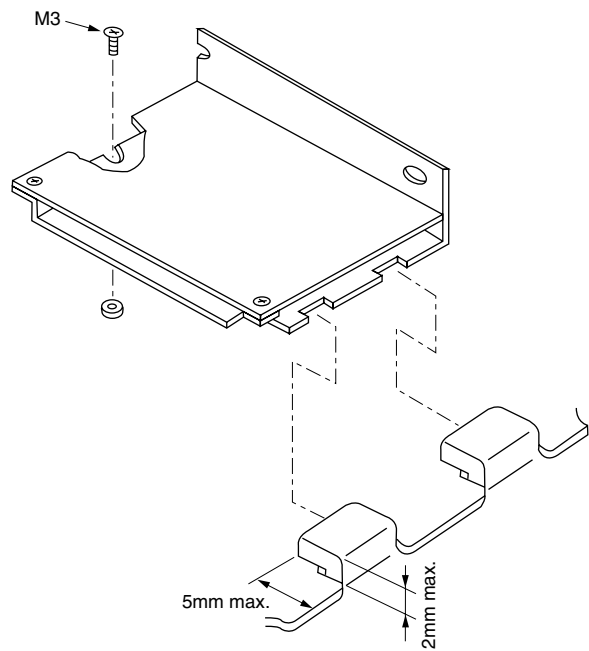


SURGE CURRENT, START UP / HOLD UP TIMES

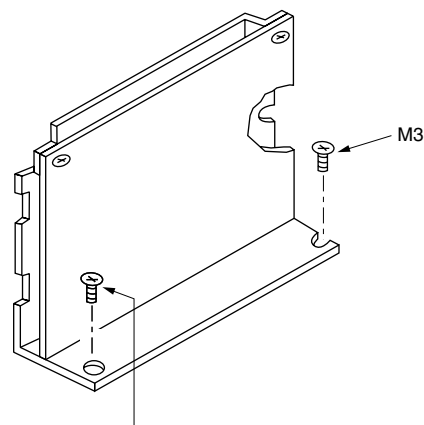


HANGING INSTALLATION (applicable to 15W, 25W, and 50W types)

Recesses are provided at two places on an L-shaped frame. Use them to mount the power supply from its surface.



Use the notched and mounting holes for stand-up installation of the power supply.



A screwdriver may touch a component on the PC board when rotating the M3 screw. Be careful not to apply any excessive force.

Power Supplies

AC Input

Single Output, General-Purpose

F Series FAW(15 to 150W)

UL/CSA/TÜV Approved

INSTALLATION

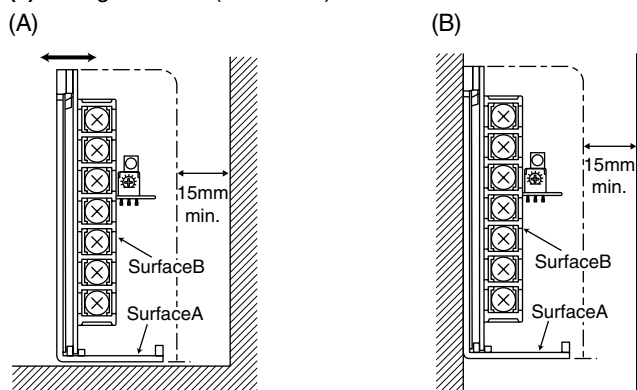
For natural cooling, apply either of the following installation methods so as to provide a thermal convection:

- (1) Standard installation
- (2) Other installations on component surface (upward).

In addition, maintain a 15mm min. distance between the component (cover) surface and surrounding equipment, etc.

(1) Standard Installation

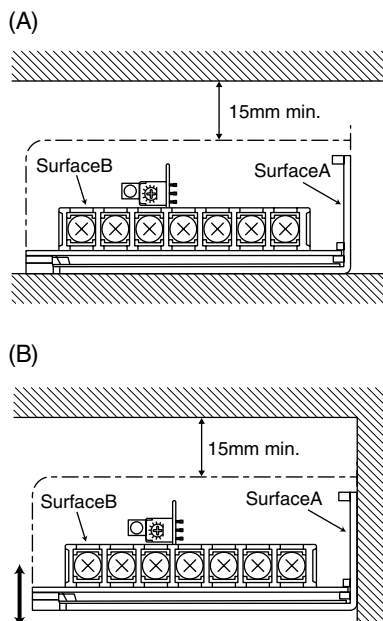
(1)-1. Angle bracket (downward)



- For the installation in (A), arrange a bearer for preventing vibrations on the surface B of the angle bracket or in a direction indicated by an arrow.

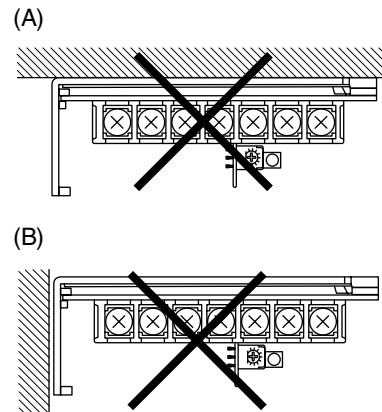
(2) Other Installations

(2)-1. Component surface (upward)



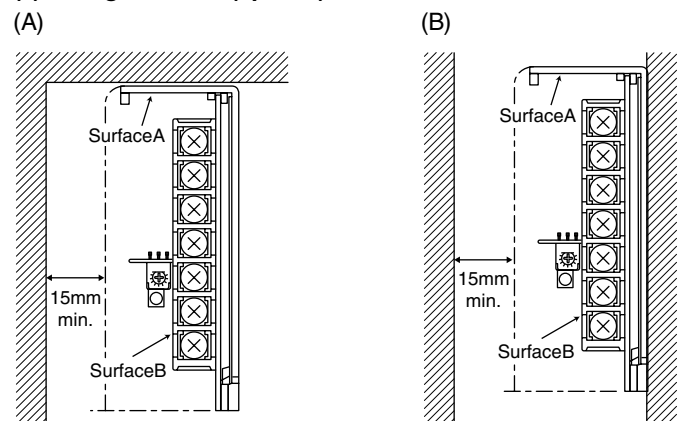
- For the installation in (B), arrange a bearer for preventing vibrations on the surface B of the angle bracket or in a direction indicated by an arrow.

(2)-2. Component surface (downward)



- This type of installation is inhibited due to a difficulty of the thermal convection.

(2)-3. Angle bracket (upward)



- This type of installation is inhibited due to a difficulty of the thermal convection.

COVER

The cover is separately available. Please order it with the following model names:

Type	Cover model No.
15W	3JC0ZB172-FAW15CA
25W	3JC0ZB173-FAW25CA
50W	3JC0ZB174-FAW50CA
100W	2JC0ZG043-FGW100CA
150W	2JC0ZG044-FGW150CA