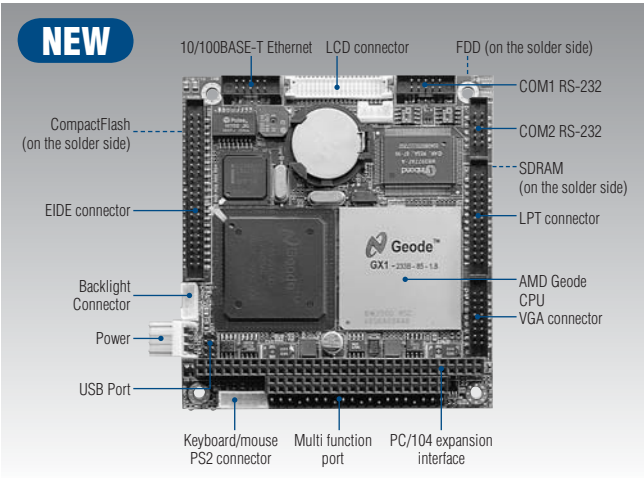


PCM-3350

AMD Geode CPU Module with VGA/ LCD, Ethernet & SSD

- 1 System on Module Solutions
- 2 Single Board Computers and Accessories
- 3 PC/104 Modules
- 4 Slot CPU Cards and Accessories
- 5 AIMB/POS Control Boards
- 6 Internet Security Platforms
- 7 Embedded Software
- 8 Apps



Features

- Low CPU power consumption AMD GX1 processor on board
- Supports CompactFlash™ SSD solution
- Simple, reliable fanless operation
- Windows® CE ready
- 10/100BASE-T Fast Ethernet
- 18-bit TFT LCD support
- Extended temperature ready (optional)



Specifications

- **CPU** Embedded low power on board AMD Geode processor
GX1-300 MHz processor (PCM-3350F-G0A1)
GX1-233 MHz processor (PCM-3350F-E0A1 Optional)
- **System Memory** 144-Pin SODIMM x 1, 8/16/32/64/128/256 MB SDRAM
- **First Level Cache** 16 KB, for data/instruction
- **Chipset** AMD CS5530A
- **BIOS** AWARD 256 KB Flash BIOS
- **SSD** CompactFlash™ Card
- **Expansion**
 - **Interface** PC/104
 - **Battery** Lithium 3 V/196 mA
 - **Watchdog Timer** Software enable/disable 1.6 sec (Optional flexible interval available)
 - **Power Management** APM 1.2
- **I/O**
 - **MIO** 1 EIDE, 1 FDD, 1 K/B, 1 mouse, 2 RS232, 1 LPT
 - **IrDA** 1 x 115 Kbps SIR, IrDA 1.0 compliant
 - **USB** 2 x USB, Open HCI compliant
- **Ethernet**
 - **Chipset** Intel® 82559ER, Intel® 82559
 - **Interface** IEEE 802.3 10 Base-T, IEEE 802.3u 100 Base-TX Fast Ethernet Compatible
Built-in boot ROM in Flash BIOS (82559)

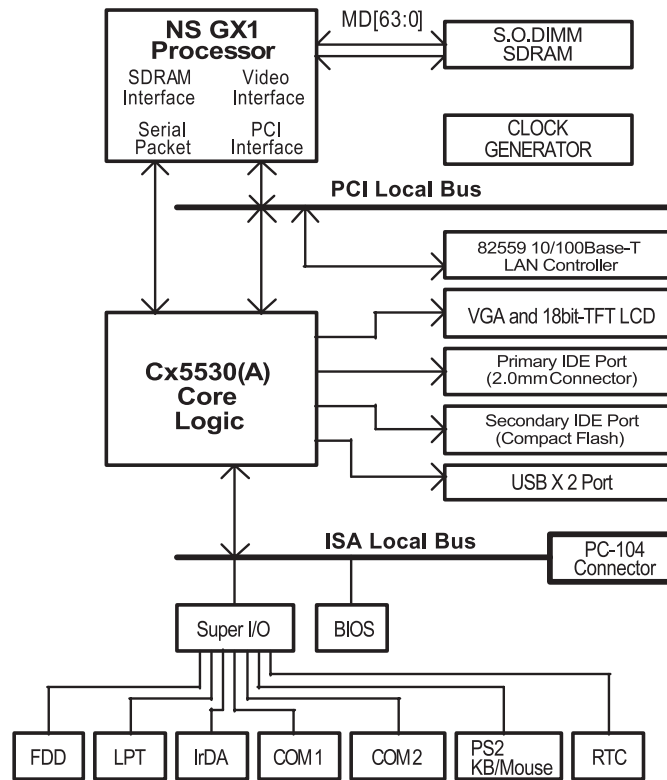
Display

- **Chipset** AMD CS5530A
- **Memory Size** 1 ~ 4 MB VRAM display memory
- **Resolution** Up to 1024 x 768 @ 24 bpp non-interlaced CRT and 1024 x 768 @ 18 bpp TFT LCD display. (supports 3.3V LCD)
- **LCD Interface** 18-bit TTL for TFT LCD only

Mechanical and Environmental

- **Size/Weight** 96 x 90 mm (3.8" x 3.5"), 0.097 kg (0.214 lb)
- **Power Consumption** Typical: +5 V @ 1.04 A (w/AMD GX1, 128 MB SDRAM SODIMM, 10 MB CFC, 1 FDD, 1 HDD, 1 VGA, 1 LCD)
Max. : +5 V @ 1.35 A (w/AMD GX1, 128 MB SDRAM SODIMM, 10 MB CFC, 1 FDD, 1 HDD, 1 VGA, 1 LCD)
- **Temperature** 0 ~ 60° C (32 ~ 104° F), operation
- **Operating Humidity** 0% ~ 90% relative humidity, non-condensing

Board Diagram



Packing List

- 1 PCM-3350 SBC
- KB/Mouse Y-cable EXT cable (p/n:1703060053)
- KB/Mouse Y-cable (2 PS/2) (p/n:1700060202)
- 26-34 Pin FDD adapter (p/n:9681000044)
- VGA cable (p/n:1701160150)
- Ethernet RJ-45 connector conversion cable (p/n:1701100202)
- IDE (HDD) cable (p/n:1701440350)
- COM port cable (p/n:1700100250)
- LPT port cable (p/n:1700260250)
- FFC Cable for Slim FDD (p/n:1701260125)
- Flat Cable for 5.25" & 3.5" FDD (p/n:1701340700)
- Start up manual
- CD-ROM (Manual, Driver, Utility)

Ordering Information

Standard

- **PCM-3350F-G0A1** PC/104 AMD Geode GX1-300 CPU module with VGA/LCD, Ethernet, SSD
- **PCM-3350FCE-000** PCM-3350F with Windows® CE 3.0
- **PCM-3350FCE-001** PCM-3350F with Windows® CE .NET
- **PCM-3350Z-G0A1** PCM-3350F with Phoenix Gold Package (-20 ~ 80° C), operation
- **PCM-3350Z2-G0A1** PCM-3350F with Phoenix Platinum package (-40 ~ 85° C), operation

Optional

- **USB cable** 1703080258
- **RS-422/485 cable** 1703040157