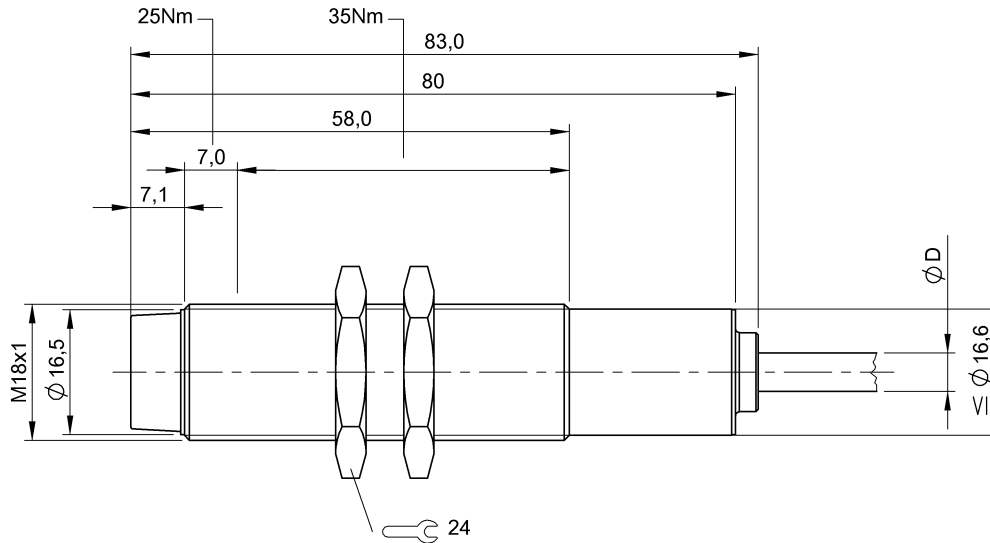


BAW 018-PF-1-K-05
Ordering code: BAW0005

Inductive distance sensor
M18

Cable, 5m, PVC
1,25...8 mm
Current, 2,3...8,5 mA

BALLUFF
sensors worldwide



Characteristic data

Power-on indicator	No
Short-circuit protected	Yes
Degree of protection as per IEC 60529	IP67
Protected against polarity reversal	Yes
Protected against reverse connection	No

Electrical data

Operating voltage	
Output signal	Current, 2,3...8,5 mA
Connection type	Cable
Rated operating voltage Ue DC	24 V
Rated frequency, AC	DC
Rated insulation voltage Ui	75 DC V
Electrical version	DC, direct current
Ripple max. (% of Ue)	10 %
Switching output	PNP / Analog
Switching function	Current falling on approach
Principle of operation	Inductive
Output current at SI min.	2,3 mA
Output current at SI max.	8,5 mA
Output current at Sa max.	10 mA
Output current Ia at s = 0 mm	1,5 mA
No-load current max. Io at Ue	10

Mechanical data

Size	M18x1.0
Range	> 6...8 mm
Number of conductors	3
Tightening torque max.	25 Nm / 35 Nm
Free zone, distance 1	3 x d1

Free zone, distance 2a	0 mm
Free zone, distance 2b	0 mm
Free zone, distance 3	3 x Sn
Free zone, distance 4	3 x d1
Free zone, distance 5	3 x d1
Cable short designation	LiYY-O
Cable length	5 m
Conductor cross-section	0,34 mm ²
Mechanical installation condition	Non embeddable
Surface protection	Nickel-plated
Shock rating	Shock, half-sinus, 30 gn, 11ms
Vibration rating	55 Hz, 1 mm ampl., 3x30 min
Ambient temperature	-10...60 °C
Degree of contamination	3
Sensing surface material	PA 12
Housing material	Brass
Cable jacket material	PVC
Cable diameter D max.	4,6 mm
Repeat accuracy per BWN	±2.0 µm
Adjustment indicator	No
Working Range	1,25...8 mm
Linearity range	1,75...5,75 mm

Basic data

Basic standard	BWN PR 44
	IEC 60947-5-2
	IEC 60947-5-7

Remarks

Values referenced to axial approach of St 37 target. For other materials correction factors are applied.



BAW 018-PF-1-K-05
Ordering code: BAW0005
Inductive distance sensor
M18

Cable, 5m, PVC
1,25...8 mm
Current, 2,3...8,5 mA

BALLUFF
sensors worldwide

Definitions see main catalog

subject to change

