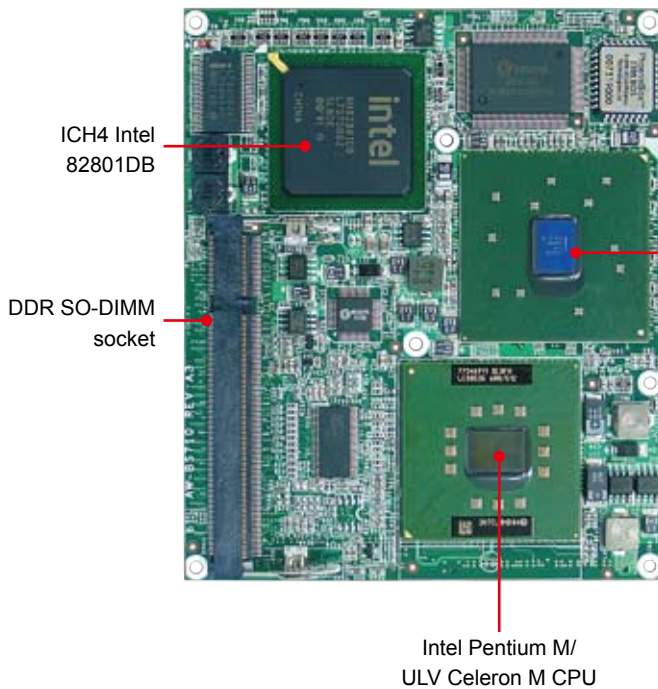


AW-BS710

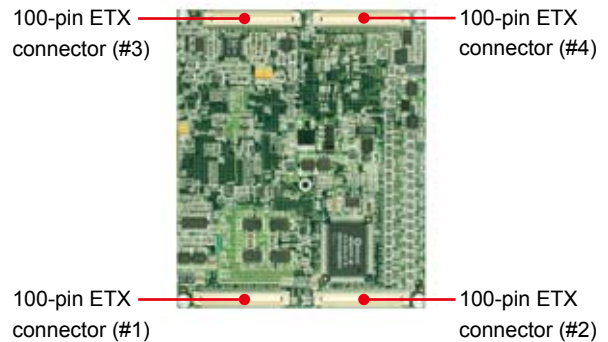
Intel® Pentium® M/ Celeron® M ETX Module with CRT/LVDS, LAN & Audio

COM Express Module
ETX CPU Module
3.5 inch Embedded Board
5.25 inch Embedded Board
Industrial Motherboard
PC/104 CPU Module
Fanless Embedded Box Computer
Accessories



Features:

- Intel® Pentium® M/ Celeron® M processor
- One 200-pin DDR SO-DIMM socket supports up to 1GB
- 10/100Mbps Ethernet interface
- Supports CRT/LVDS interface
- AC 97 audio



System	
CPU	Intel® Pentium® M / Celeron® M , 400/533MHz FSB
BIOS	Award® 512KB Flash BIOS
System Chipset	Intel® 852GM/ 855GME , ICH4
System Memory	1 x 200-pin DDR SO-DIMM socket supports 266MHz memory max. up to 1GB
Watchdog Timer	255 levels timer interval, (1 ~ 255 seconds), setup by software. Jumper set up for system reset or IRQ
System Monitoring	Built-in Winbond® 83627HG chipset, supports temperatures and voltages monitoring
Expansion Interface	ETX standard expansion bus

I/O	
I/O Chipset	SMSC SCH3112
I/O Interface	2 x E-IDE (Ultra ATA 66), 1 x FDD, 2 x RS-232, 1 x IrDA (1.1 compliant) , 1 x KB/Mouse
USB	4 x USB ports, USB 2.0 compliant
Audio	Realtek® ALC650 AC 97 2.3 compliant codec

Ethernet	
Chipset	Intel® 82562EM
Ethernet Interface	IEEE 802.3 10/100Mbps compliant physical layer

Display	
Chipset	Built in 852GM/855GME
Memory Size	Share system memory up to 64MB of dynamic video memory allocation
Resolution	CRT display mode:1920 x 1440 x 32bpp at 85Hz ; 1600 x 1200 x 32bpp at 100Hz LCD display mode:1024 x 768 x 16bpp at 60Hz
LVDS Interface	CRT and 18-bit LVDS panel

Mechanical and Environment	
Form Factor	ETX
Dimension (L x W)	114mm (L) x 94mm (W) (4.5" L x 3.7" W)
Power Supply Voltage	+5V (4.75V ~ 5.25V)
Power Requirements	6A@5V
Operating Temperature	0°C ~ 60°C (32°F ~ 140°F)
Operating Humidity	10% ~ 90% relative humidity, non-condensing
Storage Temperature	-20°C ~ 85°C (-4°F ~ 185°F)
Storage Humidity	5% ~ 95% relative humidity, non-condensing

Packing List	
•	1 x AW-BS710 SBC
•	1 x CD (Manual, Quick installation guide, Utility driver)

Ordering Information	
Standard	
AW-BS710A	ETX module with socket type for Intel® Pentium® M/ Celeron® M, CRT, LVDS, LAN & Audio (Intel® 855GME)
AW-BS710C	ETX module with onboard type for Intel® Celeron® M, 600MHz/512K cache , CRT, LVDS, LAN & Audio (Intel® 852GM)
AW-BP100	ETX module evaluation board, VGA/LVDS/LCD, LAN, CardBus, TV-Out, Audio & SSD

* Note : All specifications are subject to change without prior notice