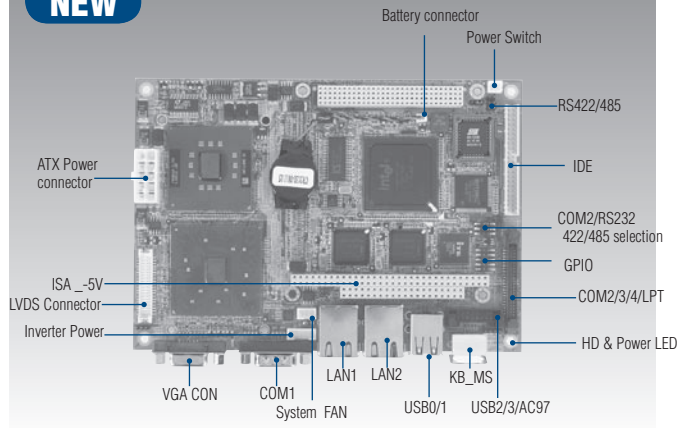


PCM-4380

Onboard Intel® Pentium® M
EPIC CPU Module

NEW



Specifications

General

- **CPU** Embedded Intel Pentium M/Celeron M
- **System Chipset** Intel 855GME GMCH/ICH4 Chipset
- **BIOS** AWARD® 512 kbit Flash BIOS
- **System Memory** 200-pin SODIMM socket, support ECC Double Data Rate (DDR) 128 MB to 1 GB, accept 128/256/512/1 G DDR200/266 DRAM
- **Power Management** APM1.2, ACPI support
- **SSD** Supports CompactFlash® Card TYPE I/II (shared 2nd IDE Channel)
USB memory, uDOC
- **Watchdog Timer** Single chip Watchdog 255-level interval timer, setup by software
- **Expansion Interface** Supports 8/16 bit ISA bus for standard PC/104 device (ITE 8888g), PC/104-Plus
- **Battery** 2-pin wafer box for external Battery on board

I/O

- **I/O Interface** 1 x EIDE (UDMA 33), 1 x FDD, 1 x K/B, UDMA 100 with PCM-063 riser card, 1 x KB/mouse, 3 x RS232, 1 x RS232/422/485, 1 x LPT
- **USB** 4 x USB 2.0 compliant Ports (2 ports on board connector, 2 ports pinhead)
- **Audio** ICH4 AC97 3D surround stereo sound
Supports Line-in, Line-out, Microphone-in (with PCM-410 option)
- **IrDA** N/A
- **GPIO** 8-bit general purpose input/output

Ethernet

- **Chipset** Intel 82551, optional 82541PI (Gigabit for optional)
- **Speed** 10/100 Mbps
- **Interface** 2 x RJ45
- **Standard** IEEE 802.3u 100Base-T

Display

- **Chipset** Intel 855GME chip integrated. (Extreme Graphics 2)
- **Memory Size** Optimized Shared Memory Architecture, supports up to 64 MB frame buffer using system memory

Features

- EPIC form factor (115 mm x 165 mm)
- Embedded Pentium® M Processor on board and support for PC/104-Plus bus
- SODIMM socket supports up to 1GB DDR SDRAM (optional)
- Display Combination: CRT + LVDS display support
- Support four COM & four USB 2.0 ports
- Dual 10/100/1000 Mbps PCI Ethernet interface
- Support Compact Flash/uDOC (option)
- Support ATX/ AT power

- **Resolution** CRT Display mode: pixel resolution up to 1600 x 1200 at 85-Hz and 2048 x 1536 at 75-Hz
LCD Display mode: Dual channel LVDS panel supports up to UXGA panel resolution with frequency range from 25 MHz to 112 MHz
- **LCD Interface** 2 Channel (2 x 18/36-bit) LVDS
- **LVDS** Hirose connector support up to 2 channel (2 x 18-bit) LVDS LCD Panel
- **Dual Independent** CRT + 36-bit LVDS

Mechanical and Environmental

- **Dimension (LxW)** 115 x 165 mm (4.5" x 6.5")
- **Weight** 0.85 kg (weight of total package)
- **Operating Temperature** 0 - 60° C (32 - 140° F)
- **Operating Humidity** 0% - 90% relative humidity, non-condensing

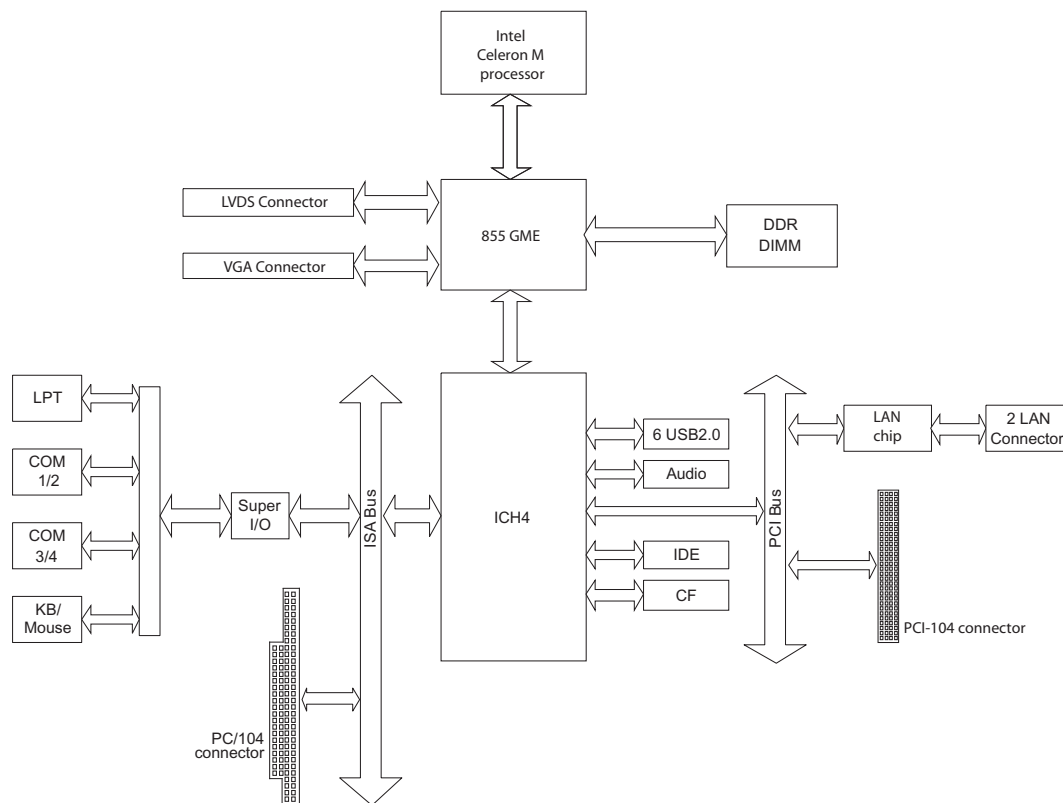
Power

- **Power Supply Voltage** A2 version support: ATX, +5 V ± 5%, ±12 V ± 5% (Optional)
AT, 5V only to boot up, 12V for LCD inverter and PC/104 module (12 V optional for PC104 add on card and LCD inverter)
- **Power Consumption** (Pentium M 1.4 GHz with 256 MB DDR333)
Max: 2.38 A @ 5 V, 0.08 A @ 12 V, 1.82 @ 3.3 V
Typical: 1.82 A @ 5 V, 0.08 A @ 12 V, 1.23 @ 3.3 V

Packing List

- 1 x PCM-4380 SBC
- 1 x Mini Jumper Pack (p/n:9689000002)
- 1 x Startup Manual
- 1 x Utility CD
- 1 x 3 COM and LPT cable (p/n:1700002034)
- 1 x ATX power cable (p/n:1700002055)
- 1 x 6P-6P PS/2 KB/MS (p/n:1700060202)
- 1 x USB cable 2 port/20pin (p/n:1700004891)
- 1 x IDE cable (p/n:1701440504)
- 1 x USB CABLE 2 port/10pin (p/n:1700001267)
- 1 x AT power cable (p/n:1700003931)

Board Diagram



Ordering Information

Number	CPU	L2 cache	Chipset	10/100	LVDS	USB2.0	RS-232	RS-422/485	GPIO	LPT	CF	USB-DOM	Audio	PC/104-plus	Operation Temp.	Thermal Solution	ETT service
PCM-4380F-M0A2E	Celeron M 600 MHz	512 KB	855 GME	2	2 channel 36/48-bit	4	3	1	8	1	Yes	--	Optional	Yes	0 ~ 60° C	Passive	--
PCM-4380F-S0A2E	Celeron M 1.0 GHz	2 MB	855 GME	2	2 channel 36/48-bit	4	3	1	8	1	Yes	--	Optional	Yes	0 ~ 60° C	Passive	--
PCM-4380F-S4A2E	LV Pentium M 1.4 GHz	2 MB	855 GME	2	2 channel 36/48-bit	4	3	1	8	1	Yes	--	Optional	Yes	0 ~ 60° C	Passive	--
PCM-4380U-S0A2E	Celeron M 1.0 GHz	512 KB	855 GME	2	2 channel 36/48-bit	4	3	1	8	1	--	Yes	Optional	Yes	0 ~ 60° C	Passive	--
PCM-4380U-S4A2E	LV Pentium M 1.4 GHz	2 MB	855 GME	2	2 channel 36/48-bit	4	3	1	8	1	--	Yes	Optional	Yes	0 ~ 60° C	Passive	--
PCM-4380Z-S0A2E	Celeron M 1.0 GHz	512 KB	855 GME	2	2 channel 36/48-bit	4	3	1	8	1	Yes	--	Optional	Yes	-40° C ~ +85° C	Passive	Phoenix Platinum
PCM-4380Z-S4A2E	LV Pentium M 1.4 GHz	2 MB	855 GME	2	2 channel 36/48-bit	4	3	1	8	1	Yes	--	Optional	Yes	-40° C ~ +85° C	Passive	Phoenix Platinum

Optional Accessories

- **PCD-USBH11-MS0256** USB-DOM, 256 MB, -40 ~ 85° C
- **PCD-USBH11-MS0512** USB-DOM, 512 MB, -40 ~ 85° C
- **PCD-USBH11-MS1024** USB-DOM, 1 GB, -40 ~ 85° C
- **PCD-USBH11-MS2048** USB-DOM, 2 GB, -40 ~ 85° C
- **PCM-410A-00A1E** AC 97 Audio/USB module for PCM-4380/4386 series
- **PCM-410C-00A1E** COM/LPT daughter board for EPIC