

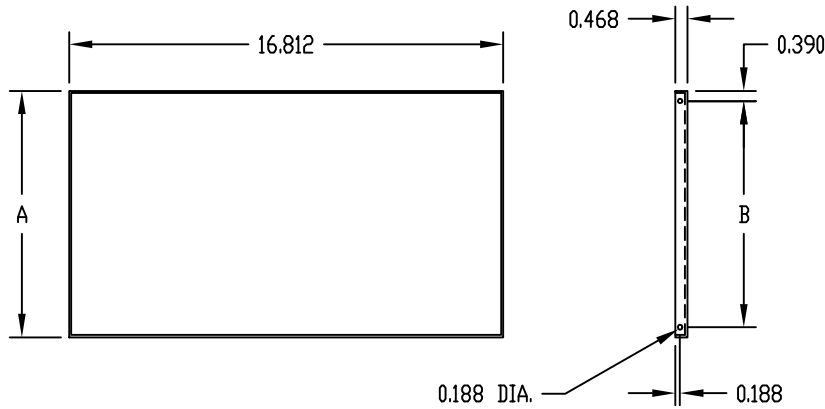
PART NAME

INTERNAL CHASSIS

PART No.

C-14242 TO C-14245

MATERIAL \_\_\_\_\_ 0.090 THK. ALUMINUM  
FINISH \_\_\_\_\_ NATURAL



| PART No. | DIMENSION A | DIMENSION B |
|----------|-------------|-------------|
| C-14242  | 4.281       | 3.500       |
| C-14243  | 6.031       | 5.250       |
| C-14244  | 7.781       | 7.000       |
| C-14245  | 9.531       | 8.750       |

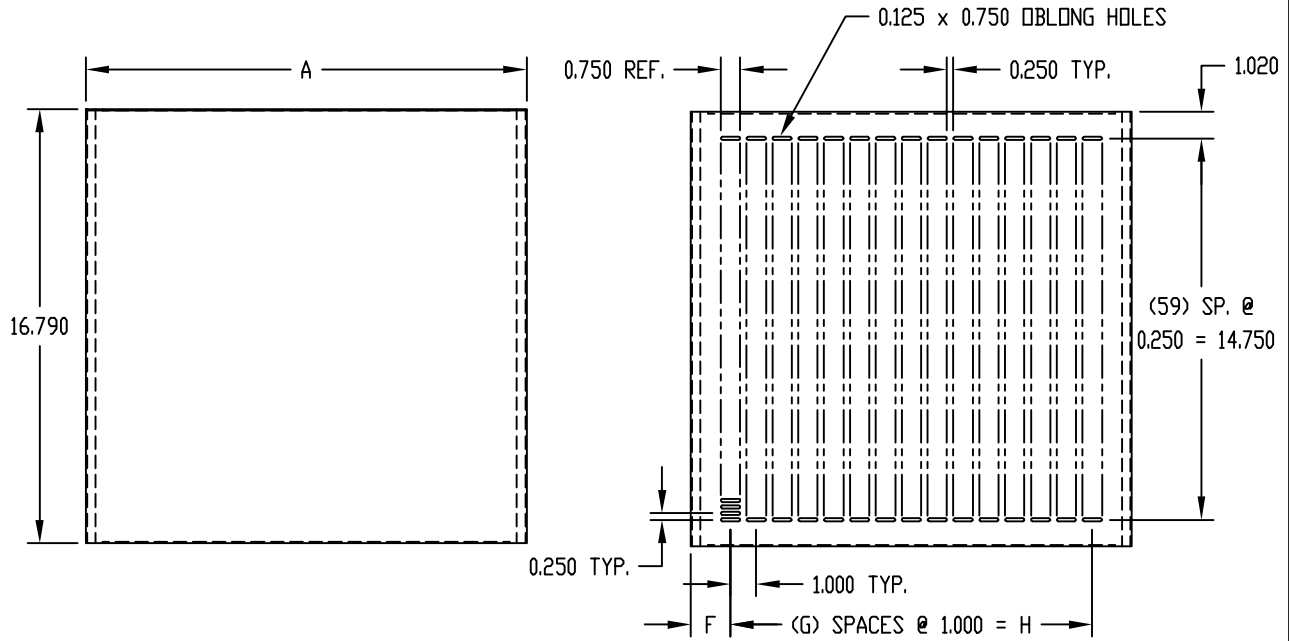
PART NAME

TOP OR BOTTOM COVER

PART No.

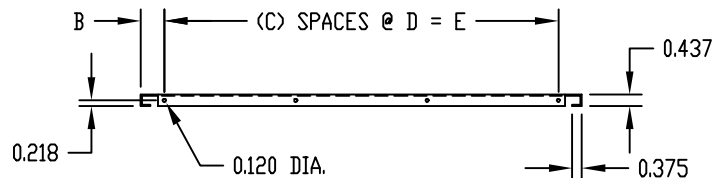
TBC-14252 & TBC-14262  
TBC-14253 & TBC-14263

MATERIAL \_\_\_\_\_ 0.050 THK. ALUMINUM  
FINISH \_\_\_\_\_ NATURAL



SOLID TOP OR BOTTOM COVER  
TBC-14252 & TBC-14253

VENTILATED TOP OR BOTTOM COVER  
TBC-14262 & TBC-14263



| PART No.  | DIM. A | DIM. B | QTY. C | DIM. D | DIM. E | DIM. F | QTY. G | DIM. H |
|-----------|--------|--------|--------|--------|--------|--------|--------|--------|
| TBC-14252 | 17.062 | 0.906  | 2      | 7.625  | 15.250 | 1.531  | 14     | 14.000 |
| TBC-14253 | 21.875 | 1.000  | 3      | 6.625  | 19.875 | 1.937  | 18     | 18.000 |
| TBC-14262 | 17.062 | 0.906  | 2      | 7.625  | 15.250 | 1.531  | 14     | 14.000 |
| TBC-14263 | 21.875 | 1.000  | 3      | 6.625  | 19.875 | 1.937  | 18     | 18.000 |