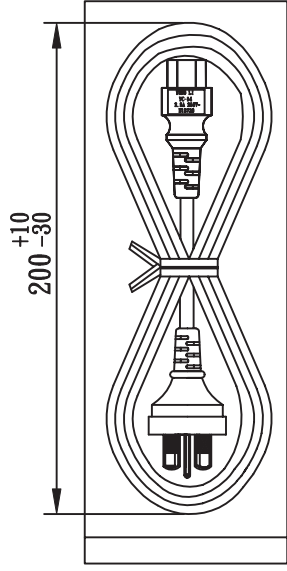
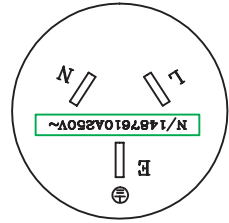
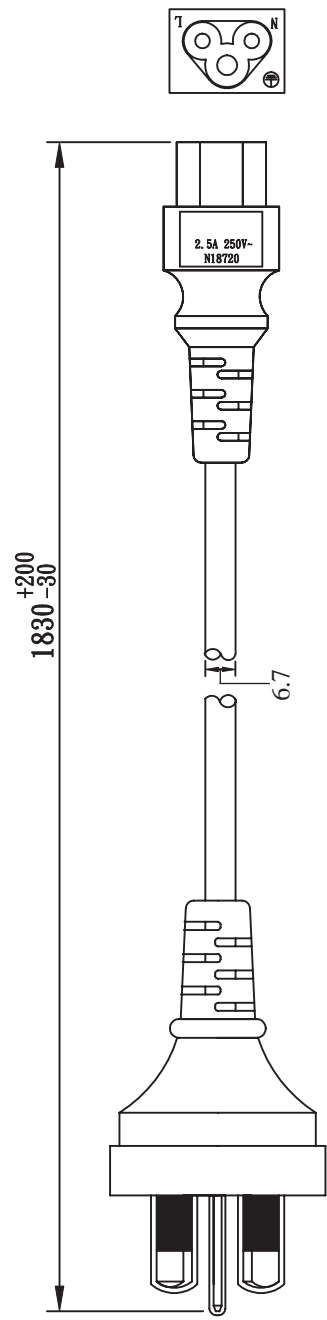
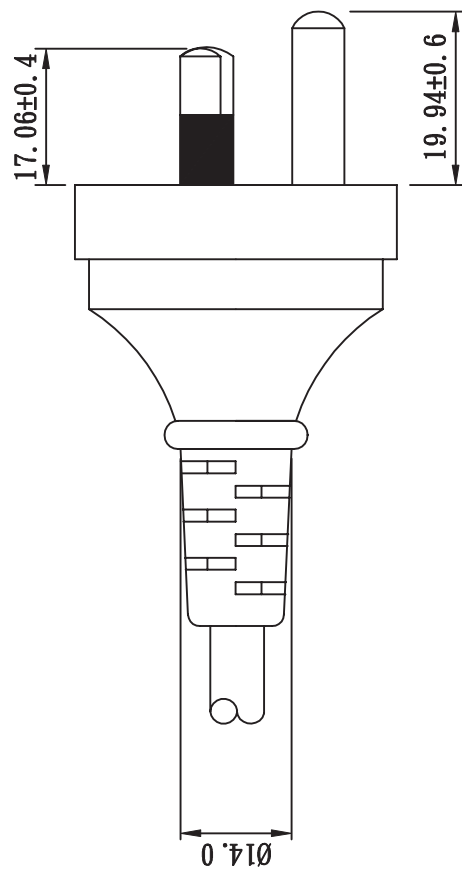
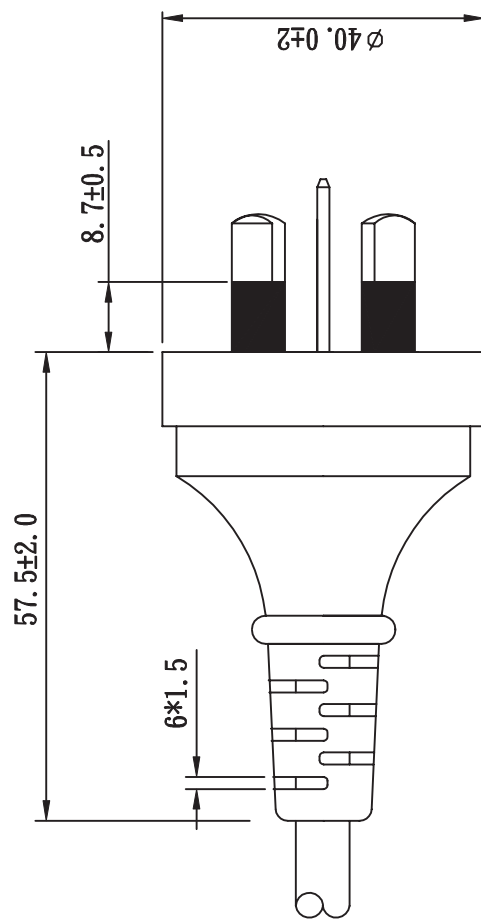
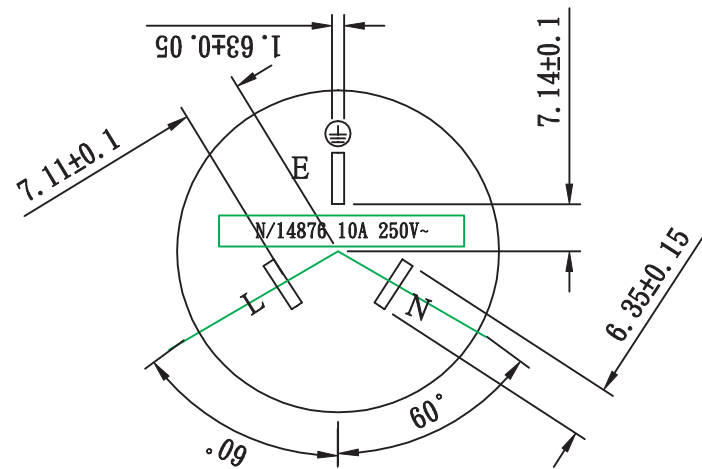


-



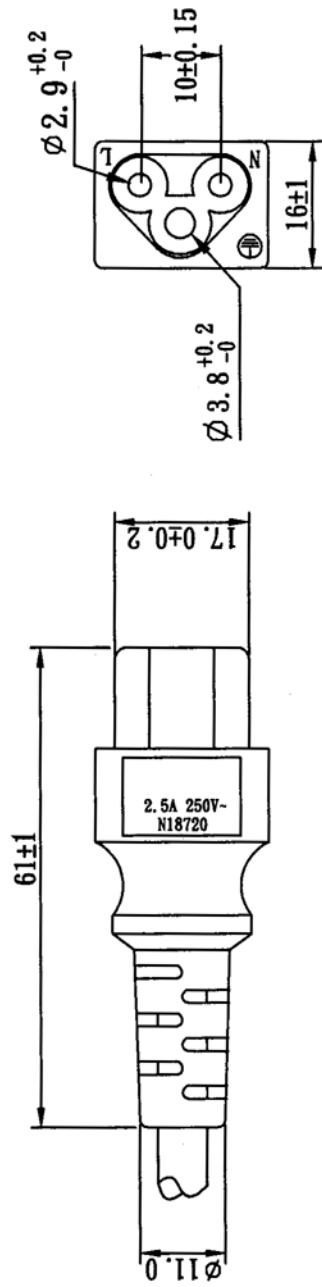
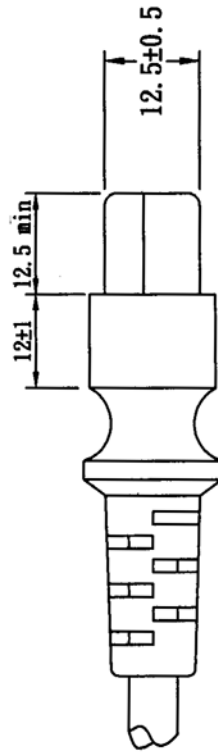
DESIGNED	CHECKED	APPROVED		TITLE	DATE
				AC Cord for Australia	
			UNITS	DRAWING No.	
			mm		
			SCALE	DRAWING NAME	REVISION
				AC9-DK	

N/14876



Australian Plug

N18720



IEC320/C6 Inlet

SPECIFICATION

	Part No.	AC9-DK	Document No
	Size	H05VV-F 3G 0.75mm ²	Page
			1/2

1. Standard: IEC 227 IEC228

2. Construction & Dimension

	Item	Specification
Conductor	Size	3G 0.75mm ²
	Material	Annealed Bare Copper
	Construction	24/ 0.202+0/-0.005
Insulation	Material	PVC
	Minimum Average Thickness	0.60mm
	Minimum Thickness at any point	0.44mm
	Diameter	2.35 ± 0.10
	Identification	Blue,Brown, Yellow/Green
Core Assembly	Core Twist	3-Core
Jacket	Minimum Average Thickness	0.8mm
	Minimum Thickness at any point	0.58mm
	Overall Diameter(Approx)	6.7 ± 0.15
	Color	Black

Marking:

H05VV-F 3G0.75mm² ◁VDE▷ NF  KEMA-KEUR △CEBEC ◁ÖVE▷   

  IEMMEQU Q04083  A004049 227I EC53 RVV 300/500V  K TL SU01027-4002

SPECIFICATION

	Part No.	AC9-DK	Document No
	Size	H05VV-F 3G 0.75mm ²	Page
			2/2

4. Electrical & Physical Properties

Item	Specification		
Rating Voltage	70 300/500V		
Conductor resistance(AT 20)	26.0 /Km MAX		
Insulation Resistance(AT 70)	0.011M /Km Min		
Dielectric Strength	AC 2.0 KV / 15 min No Break		
Spark Test	5.0KV		
Insulation	Unaged	Tensile Strength	1.02 kgf/mm ² min
		Elongation	150% Min
	Aged	Tensile Strength	80~120% (80 x168hrs)
		Elongation	80~120% (80 x168hrs)
	Loss of mass Test		2.0mg/cm ² (max)
Jacket	Unaged	Tensile Strength	1.02 kgf/mm ² min
		Elongation	150% Min
	Aged	Tensile Strength	80~120% (80 x168hrs)
		Elongation	80~120% (80 x168hrs)
	Loss of mass Test		2.0mg/cm ² (max)
Deformation Test		70±4 X 1hr 50%	
Cold Bend Test		-15 x 4hr No Crack	
Heat Shock Test		150±2 x 1hr No Crack	

Graph:

