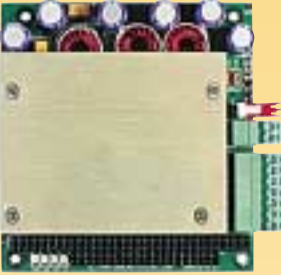




POWER SUPPLIES JUPITER-MM

50 WATTS, DUAL OR QUAD OUTPUTS, RUGGED DESIGN



- ◆ 50 watts output power
- ◆ Dual output version: +5V, +12V
- ◆ Quad output version: ±5V, ±12V
- ◆ 7-30VDC input range
- ◆ Shutdown control
- ◆ Current limiting and short-circuit protection
- ◆ ±3% load regulation
- ◆ Rugged SMT design
- ◆ Slim heat sink conforms to PC/104 mechanical limits
- ◆ -40 to +85°C operation

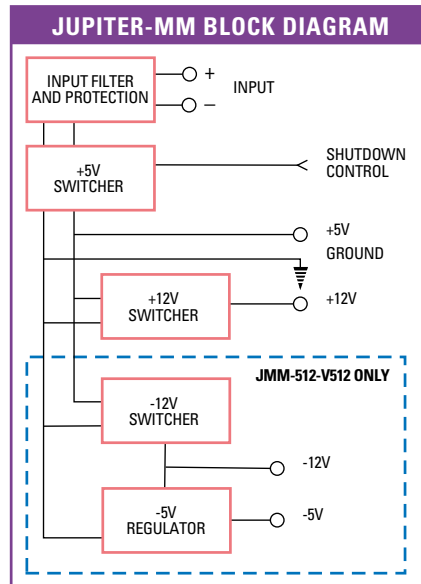
ORDERING GUIDE

JMM-512 50 Watts, +5V, +12V outputs
JMM-512-V512 50 Watts, ±5V, ±12V outputs
 For cables and accessories, see pages 46-47.

Jupiter-MM provides competitively-priced, stable DC power for mobile PC/104 systems. The small magnetics and SMT components combined with slim heat sink design create a fully PC/104-compliant module that can be stacked above or below other boards. The dual-output JMM-512 has +5V and +12V outputs, while the quad-output JMM-512-V512 adds -5V and -12V outputs.

The input is protected against transients, and the outputs have built-in protection against short circuits. Power circuits are cascaded, allowing all power to be utilized on the +5V output (10A) or shared across multiple outputs. A shutdown control input is provided to enable remote shutdown of the supply.

Power I/O connections are through convenient detachable screw terminals. All output voltages are also routed to their respective PC/104 bus pins. Power output LEDs provide a convenient indication of power supply operation.



The cascade configuration of the power conversion circuitry enables the full output power (5 or 10 Amps) to be supplied to the +5V line if needed. The +12 and -12 outputs derive from the +5 output, and the -5 line derives from the -12. The total power available on any output is the difference between that output's maximum rating and any power consumed by outputs further down the chain.

SPECIFICATIONS

INPUT

Input voltage	7-30VDC
Transient protection	1500W transient voltage suppressor
Transient cutoff	31V nominal

OUTPUT

Output voltage/current	See configuration table
Output protection	Current limit / short circuit protection
Output ripple	<50mV RMS (+5V output, 50% load)
Load regulation	±3%
Efficiency	80% to 92%, varies with load and input voltage

MECHANICAL/ENVIRONMENTAL

Size	3.55" x 3.775"
PC/104 bus	J1 (64 pins) and J2 (40 pins) stackthrough connectors installed
Operating temperature	-40 to +85°C
Weight	5.0oz / 142g

OUTPUT POWER

JUPITER-MM-512

+5V	10A
+12V	2A

JUPITER-MM-512-V512

+5V	10A
+12V	2A
-5V	0.15A
-12V	0.8A

PC/104 BUS POWER PINS

Ground	A32, B1, B31, B32, C0, D0, D18, D19
+5V	B3, B29, D16
+12V	B9
-12V	B7
-5V	B5

