



# DC-DC Converters

Mini Encapsulated -with screw terminals

**REGULATED**

single & dual tracking outputs



- Shipped Within 3 Days
- One Year Warranty



## Don't forget these facts about Acopian....

1. We ship within 3 Days (see our 3 Day Shipping Promise below).
2. Acopian power supplies last a very long time.
3. The Voltage Finder is the quickest way to find a power supply with the specs you need.
4. The Online System builder ([www.acopian.com/SystemBuilder](http://www.acopian.com/SystemBuilder)) is a convenient way to get your own custom Power System (and they ship within 9 Days).
5. You always talk to a real person when you call Acopian.
6. You can order your Acopian power supplies factory direct.
7. You can order your Acopian power supplies online.
8. All Acopian products are made in the USA.



## DC-DC Converters

Mini Encapsulated - **with screw terminals**  
REGULATED  
*single & dual tracking outputs*



- Shipped Within 3 Days
- One Year Warranty

**These DC-DC Converters** have the versatility to be used in a broad range of applications. Threaded mounting holes permit them to be mounted to a chassis, cabinet wall or bracket, or they may be used on a test bench or tabletop. Screw terminals provide easy connection without sockets or soldering.

Input/output isolation prevents ground loops, and permits the use of inputs of either polarity; outputs of single output models may be used in either polarity and floated up to 500 volts above the input. Short circuit and thermal protection, and rugged encapsulated construction, assure years of reliable service.

### SPECIFICATIONS

**Input Voltage:** Nominal voltage  $\pm 10\%$ .

**Input Reflected Ripple:**  $1\% E_{in}$  (max.)

**Output Ripple (@25 MHz bandwidth):**  
1 mV rms, 50 mV p-p (5-15V outputs).  
1.5 mV rms, 75 mV p-p (18-28V outputs).

**Output Voltage Setting:** Outputs are factory preset to within  $\pm 1\%$  of the nominal output voltage.

**T/C terminal:** For single output models, the T/C terminal can be used to trim the output more precisely to the nominal voltage rating by connecting an external resistor from the T/C terminal to either the + or - terminal. For dual output models, the T/C terminal is the output common.

**Polarity:** The output of single output models may be connected in either polarity. Dual output models have a positive/common/negative output terminal configuration.

**Transient Response (NL-FL):** 50 microseconds.

**Overload/Short Circuit Protection:** Electronic current limiting with automatic recovery. All models have thermal protection with automatic reset.

**Input/Output Isolation:**

- Voltage: 500 Vdc
- Resistance: 100 megohms
- Capacitance: 100 pF

**Switching Frequency:** 20 kHz minimum.

**Temperature Coefficient:**  $0.02\%/^{\circ}\text{C}$  (Typical).

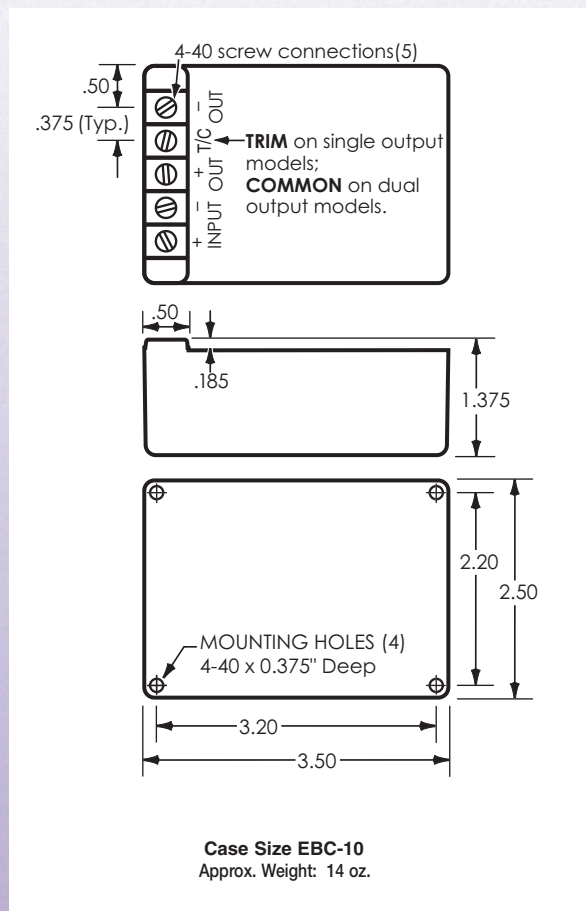
**Ambient Operating Temperature:**  $-20$  to  $+71^{\circ}\text{C}$ .

**Storage Temperature:**  $-40$  to  $+85^{\circ}\text{C}$ .

**Humidity:** 20% to 80% R.H. (non-condensing).

**Case Size:** EBC-10.

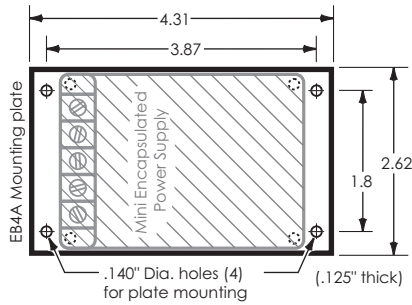
**Mounting:** Threaded mounting holes permit mounting to a chassis, cabinet wall or bracket, or they may be used on a test bench or tabletop. When wall-mounting or DIN rail mounting is desired, use accessory Mounting Kits on page 77.





**ACCESSORY MOUNTING KITS** For use with 'Mini Encapsulated - with Screw Terminals' power supplies.

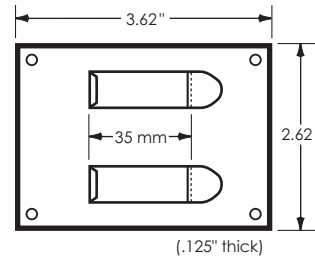
**FOR WALL MOUNTING**



Use Mounting Kit EB4A to mount from the power supply side of the mounting surface, necessary when the other side of the mounting surface is inaccessible. This kit consists of an aluminum plate and four screws for attaching it to the power supply, effectively adding mounting flanges to any Mini Encapsulated power supply with screw terminals or any Mini DC-DC Converter with screw terminals.

Model EB4A . . . . . \$ 10

**FOR DIN RAIL MOUNTING**



Mounting Kit EB35DIN consists of an aluminum plate, with two DIN clips attached to it, and four screws for attaching the plate to the bottom of any Mini Encapsulated power supply with screw terminals or any Mini DC-DC Converter with screw terminals. The power supply can then be snapped onto a 35mm 'top hat' type of DIN rail.

Model EB35DIN . . . . . \$15

**SINGLE OUTPUT, WITH SCREW TERMINALS**

Nominal Input Voltage	Nominal Output Voltage	Output Current Amps. at			Regulation		(\$) Price	Model
		40°C	55°C	71°C	Load ±%	Line ±%		
5	5	2.50	2.25	2.00	.15	.02	129	5EB5E250
5	6	2.00	1.80	1.60	.15	.02	129	5EB6E200
5	8	1.50	1.35	1.20	.10	.02	129	5EB8E150
5	9	1.40	1.25	1.10	.10	.02	129	5EB9E140
5	10	1.30	1.15	1.00	.10	.02	129	5EB10E130
5	12	1.20	1.10	1.00	.05	.02	129	5EB12E120
5	13	1.10	1.00	.90	.05	.02	129	5EB13E110
5	15	1.00	.90	.80	.05	.02	129	5EB15E100
5	18	.80	.70	.60	.05	.02	129	5EB18E80
5	20	.70	.60	.50	.05	.02	129	5EB20E70
5	24	.60	.55	.50	.05	.02	129	5EB24E60
5	28	.50	.45	.40	.05	.02	129	5EB28E50
12	5	2.50	2.25	2.00	.15	.02	129	12EB5E250
12	6	2.00	1.80	1.60	.15	.02	129	12EB6E200
12	8	1.50	1.35	1.20	.10	.02	129	12EB8E150
12	9	1.40	1.25	1.10	.10	.02	129	12EB9E140
12	10	1.30	1.15	1.00	.10	.02	129	12EB10E130
12	12	1.20	1.10	1.00	.05	.02	129	12EB12E120
12	13	1.10	1.00	.90	.05	.02	129	12EB13E110
12	15	1.00	.90	.80	.05	.02	129	12EB15E100
12	18	.80	.70	.60	.05	.02	129	12EB18E80
12	20	.70	.60	.50	.05	.02	129	12EB20E70
12	24	.60	.55	.50	.05	.02	129	12EB24E60
12	28	.50	.45	.40	.05	.02	129	12EB28E50
15	5	2.50	2.25	2.00	.15	.02	129	15EB5E250
15	6	2.00	1.80	1.60	.15	.02	129	15EB6E200
15	8	1.50	1.35	1.20	.10	.02	129	15EB8E150
15	9	1.40	1.25	1.10	.10	.02	129	15EB9E140
15	10	1.30	1.15	1.00	.10	.02	129	15EB10E130
15	12	1.20	1.10	1.00	.05	.02	129	15EB12E120

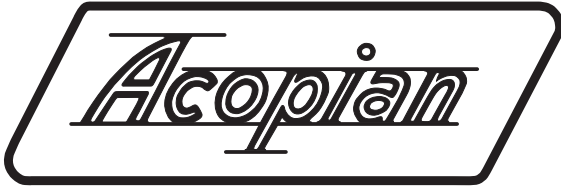
Nominal Input Voltage	Nominal Output Voltage	Output Current Amps. at			Regulation		(\$) Price	Model
		40°C	55°C	71°C	Load ±%	Line ±%		
15	13	1.10	1.00	.90	.05	.02	129	15EB13E110
15	15	1.00	.90	.80	.05	.02	129	15EB15E100
15	18	.80	.70	.60	.05	.02	129	15EB18E80
15	20	.70	.60	.50	.05	.02	129	15EB20E70
15	24	.60	.55	.50	.05	.02	129	15EB24E60
15	28	.50	.45	.40	.05	.02	129	15EB28E50
24	5	2.50	2.25	2.00	.15	.02	129	24EB5E250
24	6	2.00	1.80	1.60	.15	.02	129	24EB6E200
24	8	1.50	1.35	1.20	.10	.02	129	24EB8E150
24	9	1.40	1.25	1.10	.10	.02	129	24EB9E140
24	10	1.30	1.15	1.00	.10	.02	129	24EB10E130
24	12	1.20	1.10	1.00	.05	.02	129	24EB12E120
24	13	1.10	1.00	.90	.05	.02	129	24EB13E110
24	15	1.00	.90	.80	.05	.02	129	24EB15E100
24	18	.80	.70	.60	.05	.02	129	24EB18E80
24	20	.70	.60	.50	.05	.02	129	24EB20E70
24	24	.60	.55	.50	.05	.02	129	24EB24E60
24	28	.50	.45	.40	.05	.02	129	24EB28E50
28	5	2.50	2.25	2.00	.15	.02	129	28EB5E250
28	6	2.00	1.80	1.60	.15	.02	129	28EB6E200
28	8	1.50	1.35	1.20	.10	.02	129	28EB8E150
28	9	1.40	1.25	1.10	.10	.02	129	28EB9E140
28	10	1.30	1.15	1.00	.10	.02	129	28EB10E130
28	12	1.20	1.10	1.00	.05	.02	129	28EB12E120
28	13	1.10	1.00	.90	.05	.02	129	28EB13E110
28	15	1.00	.90	.80	.05	.02	129	28EB15E100
28	18	.80	.70	.60	.05	.02	129	28EB18E80
28	20	.70	.60	.50	.05	.02	129	28EB20E70
28	24	.60	.55	.50	.05	.02	129	28EB24E60
28	28	.50	.45	.40	.05	.02	129	28EB28E50

120 to 180 See pages 38-39.

**DUAL TRACKING OUTPUTS**

Nominal Input Voltage	Nominal Output Voltages	Amps. per Output at			Regulation		(\$) Price	Model
		40°C	55°C	71°C	Load ±%	Line ±%		
5	±10	.60	.55	.50	.05	.02	135	5EB10D60
5	±12	.60	.55	.50	.05	.02	135	5EB12D60
5	±15	.50	.45	.40	.05	.02	135	5EB15D50
5	±18	.40	.35	.30	.05	.02	135	5EB18D40
12	±10	.60	.55	.50	.05	.02	135	12EB10D60
12	±12	.60	.55	.50	.05	.02	135	12EB12D60
12	±15	.50	.45	.40	.05	.02	135	12EB15D50
12	±18	.40	.35	.30	.05	.02	135	12EB18D40
15	±10	.60	.55	.50	.05	.02	135	15EB10D60
15	±12	.60	.55	.50	.05	.02	135	15EB12D60

Nominal Input Voltage	Nominal Output Voltages	Amps. per Output at			Regulation		(\$) Price	Model
		40°C	55°C	71°C	Load ±%	Line ±%		
15	±15	.50	.45	.40	.05	.02	135	15EB15D50
15	±18	.40	.35	.30	.05	.02	135	15EB18D40
24	±10	.60	.55	.50	.05	.02	135	24EB10D60
24	±12	.60	.55	.50	.05	.02	135	24EB12D60
24	±15	.50	.45	.40	.05	.02	135	24EB15D50
24	±18	.40	.35	.30	.05	.02	135	24EB18D40
28	±10	.60	.55	.50	.05	.02	135	28EB10D60
28	±12	.60	.55	.50	.05	.02	135	28EB12D60
28	±15	.50	.45	.40	.05	.02	135	28EB15D50
28	±18	.40	.35	.30	.05	.02	135	28EB18D40



## About Acopian's 3 Day Shipment Guarantee:

In 1964, Acopian initiated its "3 Day Shipping Guarantee." Since then our product offerings have expanded to include many more lines of power supplies that ship within 3 Days as well as others that ship within 6 or 9 Days. These guarantees apply to every model in the Acopian catalog.

Our unique 3-day shipping guarantee has prompted many questions. Below are some of those most often asked:

### **What does Acopian's 3-day shipping promise mean?**

It means that power modules listed in this catalog are shipped within 3 days after we receive your order. High Voltage, Redundant, Rack Mounting, Systems and certain Switching power supplies are shipped within 9 days.

### **Has Acopian ever failed to meet this promise?**

Never.

### **Do options affect shipping time?**

The 230 volt input option and moisture/fungus-proofing option require two additional days. All other options do not affect shipping time.

### **Is the 3-day promise affected by quantity? Suppose we need 50 or 100 pieces?**

The 3-day promise applies to orders for five or less modules. (Two or less for 9-day items). If requested, Acopian will ship five pieces of a larger order in 3 days and, with consideration of your requirement, schedule the balance. (Since each shipment is processed and priced as a separate order, for lowest prices request shipment in one lot.)

### **What if I need four or five different models? Does the 3-day promise still apply?**

Yes. Guaranteed 3-day shipment applies to one model or to a combination of models.

### **Do I have to ask for 3-day shipment of my order?**

3-day shipment is automatic. In fact, you must tell us if you want the shipment delayed.

### **How long after you ship will I have the power supplies?**

Transportation time varies with the carrier used. Unless otherwise requested, Acopian ships small orders by UPS Ground.

### **You say Acopian has never failed to meet the 3-day promise. How do you do it?**

Our facilities have been designed and equipped to meet our 3-day shipment promise. When your order is received, your power supplies are built specifically for you and shipped within three days. We do not ship from stock. (For this reason, we are unable to accept returns for credit.)

### **I've seen other power supply manufacturers advertise "same-day shipment." Isn't that better than 3-day shipment?**

A typical vendor's "same-day shipment" advertisement can only be fulfilled if the power supplies you need are in stock. Otherwise, a four to six week delay is not unusual before inventory is replenished and your order is shipped.

Acopian's 3-day shipment promise applies to ALL 3 Day models (larger units ship within 9 Days) and is not dependent on the quantity in stock. We build each unit after the order for that unit is received. If an order is needed faster, often times we can ship in less than 3 days.

*If you require shipment even earlier than our standard promise, just let us know, we can usually ship sooner. We welcome the opportunity to work with you.*

### **ACOPIAN...**

#### **...answers your phone call with a live salesperson**

No automated menus. The person who answers your call will courteously and promptly answer your questions, quote price and delivery, expedite your urgent requirements, and offer you immediate access to our engineers.

Call toll free 800-523-9478.

#### **...can customize power supplies for you**

If a standard power supply does not meet all of your requirements, speak with one of our engineers. We can often modify the specifications, ratings and configuration of a supply. We can also combine several power supplies into a Multiple Output Power System with the operating features you specify (such as meters and switches) and ship it within 9 Days!

#### **...has a 5-year warranty**

This is typical: One of our customers sent us an old power supply with a note indicating that the supply had been in continuous use since 1972 (33 years!), but he had recently noticed that the output voltage was low. We found that the capacitors had dried up, replaced them and returned the supply to the customer, who thanked us and said he intends to keep using it. We focus on making power supplies that will last a long time. There are power supplies that cost less than ours, or that are smaller than ours, but you won't find any that last longer than ours. All too often, low-priced supplies are densely packed, run hot, have short lifetimes and short warranties. All Acopian metal-cased power products have a 5-year warranty, but you can expect them to last a lot longer.

#### **Purchase Acopian... 3-day shipment, long lasting power supplies, and unsurpassed customer service.**



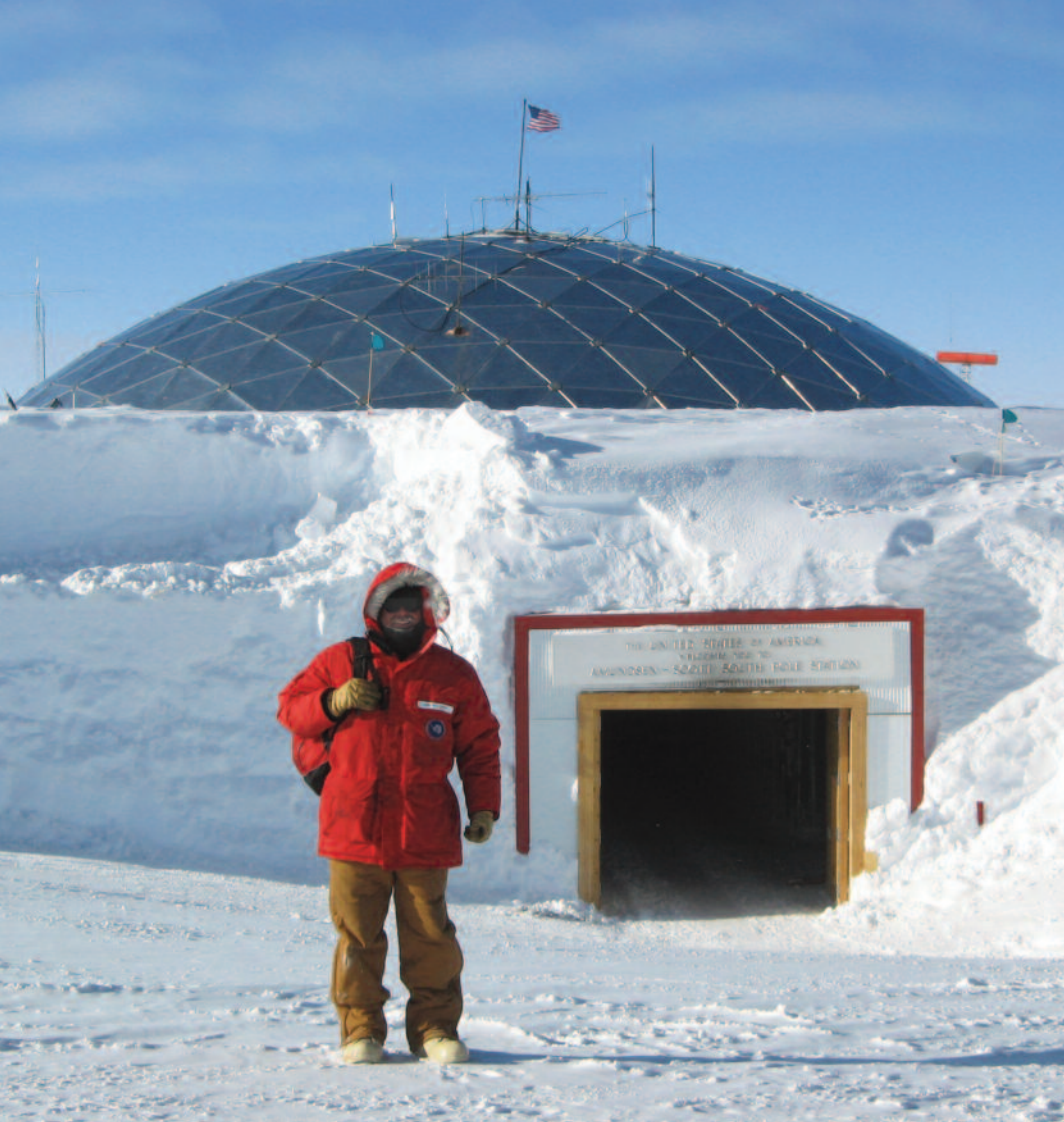


PHOTO COURTESY OF THE ICECUBE PROJECT

***“At Project IceCube, it’s absolutely critical to have a good power supply. The ice must be as pure and clear as possible. If the power to the ice top sensor system were to fail, we would risk the tank water freezing without being controlled, resulting in bubbles and impurities, and very much reducing the quality of ice and quality of information that we can see with our detectors. We chose Acopian power supplies to power our pumping and degassing systems because of their reputation for reliability. The people at Acopian met all of our highly demanding specifications and, despite very little time until our window to ship to the Pole, they met our schedule. We were 100% satisfied.”***

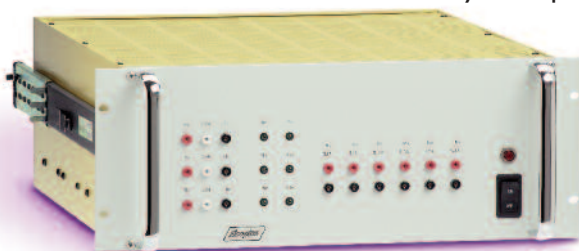
**Jim Baccus**  
**Cable System Manager**  
**Project IceCube**

*(the international high-energy neutrino observatory being built and installed in the ice below South Pole Station)*

## The world’s most demanding environments demand Acopian power systems.

Design your own Acopian power system online with the System Builder at [www.acopian.com](http://www.acopian.com). Simply enter your requirements, and you’ll receive a quotation for fully wired multiple-output power systems, without the need for you to prepare mechanical layouts or search through a power supply catalog.

Each system will be completely wired, tested and shipped within 9 days after receipt of the order. Choose Acopian – the power supplies of choice for the world’s leading engineers.



ALL ACOPIAN POWER SUPPLIES  
MADE IN U.S.A.



Acopian Technical Company

1-800-523-9478 • [www.acopian.com](http://www.acopian.com)